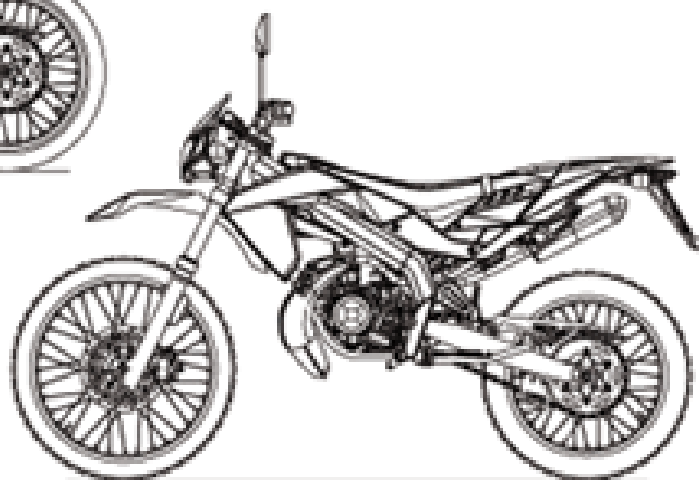




PIAGGIO & C.s.p.a.

**aprilia**

## SPARE PARTS CATALOGUE



### **RX-SX 50 2006-2010**

Chassis prefix: ZD4PV, ZD4PV000, ZD4PVA00, ZD4PVB00, ZD4PVE00

Engine prefix:

## Index

Products.....	3
Part reference.....	4
FRAME.....	9
Drawing 28.01 - Frame.....	9
Drawing 28.02 - Front fork.....	11
Drawing 28.03 - Swing arm.....	17
Drawing 28.04 - Fuel tank.....	19
Drawing 28.05 - Body.....	21
Drawing 28.06 - Handlebar - Controls.....	26
Drawing 28.07 - Electrical system.....	29
Drawing 28.08 - Front wheel.....	32
Drawing 28.09 - Rear wheel.....	34
Drawing 28.10 - Rear brake caliper.....	36
Drawing 28.11 - Dashboard.....	38
Drawing 28.12 - Exhaust unit.....	39
Drawing 28.13 - Water cooler.....	40
Drawing 28.14 - Completing part.....	42
Drawing 28.25 - Decal.....	43
Drawing 28.26 - Decal 2009-2010.....	47
Drawing 28.27 - Front fork II.....	50
ENGINE.....	52
Drawing 29.15 - Cylinder.....	52
Drawing 29.16 - Clutch.....	54
Drawing 29.17 - Selector.....	55
Drawing 29.18 - Gear box.....	56
Drawing 29.19 - Ignition unit.....	58
Drawing 29.20 - Crankcase.....	59
Drawing 29.21 - Carburettor.....	61
Drawing 29.22 - Flywheel.....	63
Drawing 29.23 - Oil pump.....	64
Drawing 29.24 - Water pump.....	65

## Products

Code	Validity
E92H60E680	
E92H60E681	
E92H60E880	
E92H60E881	
E92H60E980	
E92H60E981	
E92H60E982	
E92H60G680	
E92H60G681	
E92H60G881	
E92H61D680	
E92H61D681	
E92H61D881	
E92H61E680	
E92H61E880	
E92H61E881	
E92H61E980	
E92H61E981	
E92H61G680	
E92H61G881	
E92H61G981	
E92H61S981	

Code	Drawing Nr.	Pos.	Code	Drawing Nr.	Pos.	Code	Drawing Nr.	Pos.
0000004510	29.18	24	00011061300	28.07	37	00D01201091	28.08	7
0000004835	28.12	4	00011141300	28.03	9	00D01300192	28.03	6
00000012415	28.12	10	00011141300	28.13	22	00D01301401	28.08	7
00000021040	28.05	18	00012045000	28.07	7	00D01301401	28.09	14
00000023051	28.05	26	00012051200	28.07	16	00D01303401	28.09	14
00000023060	28.05	29	00012061000	28.03	19	00D01500021	28.05	20
00000023060	28.06	42	00012061200	28.03	13	00D01500021	28.11	5
00000023060	28.07	20	00012061200	28.04	20	00D01500471	28.04	36
00000023060	28.07	24	00012061200	28.05	3	00D01500471	28.07	22
00000023060	28.09	25	00012061200	28.07	30	00D01500552	28.04	22
00000023060	28.12	20	00012081621	28.12	14	00D01500552	28.13	11
00000023080	28.04	40	00012082022	28.09	7	00D01501371	28.03	12
00000031040	28.05	17	00012083001	28.09	7	00D01501371	28.04	28
00000031050	28.03	10	00012151500	28.10	22	00D01501371	28.04	32
00000031050	28.05	21	00012152000	28.11	2	00D01501371	28.07	28
00000031050	28.05	30	00012161600	28.04	30	00D01501371	28.13	6
00000031050	29.18	25	00012161600	28.13	10	00D01501371	29.22	12
00000033040	29.18	25	00014041200	28.06	9	00D01520096	28.01	20
00000036100	29.19	17	00022084021	28.01	4	00D01540456	28.01	21
00000056205	28.01	14	00022084521	28.01	7	00D03700131	28.04	12
00000061040	29.19	18	00023108000	28.01	13	00D04900581	28.12	16
00000326260	29.16	6	00023108000	28.01	5	00D05900081	28.07	26
00001113192	28.09	4	00023108000	28.10	20	00D05910081	28.12	8
00002041050	29.18	24	00023108000	28.12	6	00F00400771	28.04	8
00002051251	28.06	23	00023112000	28.03	21	00F00403321	28.04	14
00002052051	28.05	23	00026005000	28.07	18	00F00900531	28.06	20
00002062011	28.12	19	00031105000	28.05	32	00F00900531	28.07	34
00002062011	28.12	3	00031106000	28.07	9	00F00900531	28.10	10
00002062511	28.05	28	00032015000	28.08	4	00F00900531	29.22	14
00002062511	29.17	9	00034000802	28.08	17	00F00920551	28.06	19
00002082021	28.04	39	00034000802	28.10	27	00F01210312	28.09	3
00002082021	28.14	5	00036008000	28.01	2	00F03300731	29.22	10
00002083001	28.08	15	00037000600	29.19	21	00F03310741	29.22	8
00002083001	28.10	28	00047030400	28.04	4	00F03710131	28.04	16
00002085531	28.06	39	00047030900	29.19	16	00F03710241	28.13	27
00002182000	28.09	7	00058020200	28.08	5	00F04201361	28.12	11
00002182000	28.09	7	00073481964	28.04	31	00F04700121	28.08	20
00002212070	28.08	8	00092061214	28.13	15	00F04700121	28.10	15
00002212070	28.09	19	00262080022	28.01	8	00G00400181	28.04	11
00002215152	28.01	25	00262100032	28.01	27	00G00400501	28.04	10
00002503230	28.03	4	00262120032	28.03	7	00G00400501	28.13	30
00002518790	28.01	17	00262120032	28.09	15	00G00401131	28.04	7
00003112322	28.03	3	00402060001	28.05	16	00G01503701	28.10	6
00003115422	28.03	24	00402060001	28.09	24	00G02200692	28.13	17
00003127200	29.19	19	00402080001	28.01	3	00G03200061	29.21	9
00003306570	28.01	34	00402080001	28.04	44	00G03200101	29.21	19
00003710110	28.07	31	00402080001	28.10	18	00G03200511	29.21	11
00003710120	28.07	32	00402080001	28.12	15	00G03200541	29.21	15
00004154000	29.23	9	00402100001	28.01	23	00G03200551	29.21	16
00004162500	29.19	20	00442060002	29.17	10	00G03200721	29.21	17
00004163500	28.06	46	006408	29.23	3	00G03200731	29.21	18
00005010760	28.06	25	006408	29.24	11	00G03201071	29.21	10
00005527540	28.10	19	00D00200761	28.01	33	00G03201091	29.21	21
00006309260	28.06	26	00D00900531	28.06	21	00G03201371	29.21	12
00006309260	28.10	2	00D00900531	28.07	3	00G03204272	28.04	13
00006321040	28.06	12	00D00900531	28.07	35	00G03301271	29.22	9
00006321040	28.10	3	00D00900531	28.13	20	00G03301401	29.22	13
00008061500	28.07	27	00D00900531	28.13	21	00G03701031	28.13	35
00008063000	28.07	14	00D01000701	28.06	24	00G03800741	28.13	37
00008902630	28.01	11	00D01010821	28.05	41	00G03801701	28.13	5
00008915020	28.04	21	00D01100201	28.10	4	00G03900821	29.20	19
00008915020	28.07	21	00D01200171	28.03	15	00G04102131	29.21	20
00008915020	28.13	9	00D01200171	28.04	29	00G04401462	28.04	35
00011041300	28.03	16	00D01200171	28.04	34	00G04401462	28.05	24
00011041300	28.10	11	00D01200171	28.05	35	00G04401462	28.10	23
00011051401	28.04	19	00D01200171	28.06	43	00G04700141	28.10	26
00011051401	28.05	22	00D01200171	28.07	23	00G05100911	28.12	22

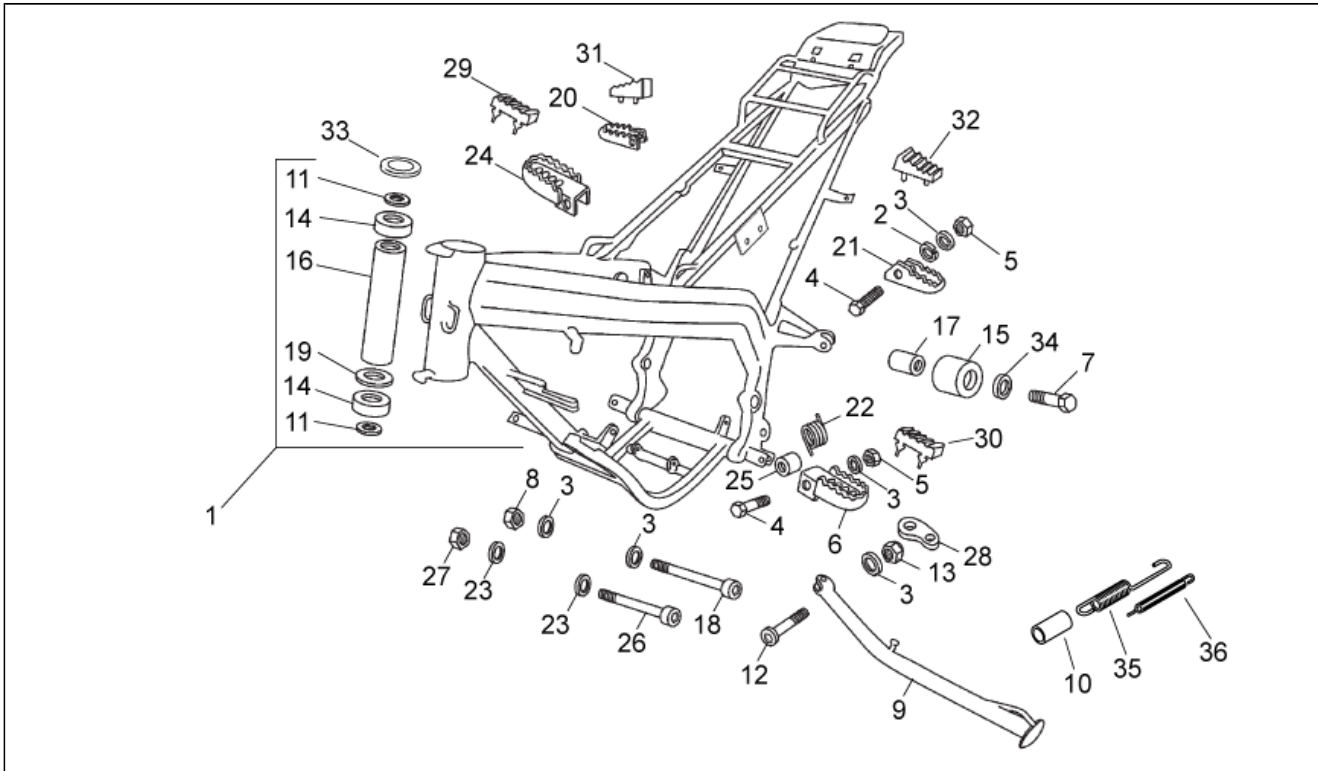
Code	Drawing Nr.	Pos.	Code	Drawing Nr.	Pos.	Code	Drawing Nr.	Pos.
00G06800021	29.22	11	00H01222021	28.08	11	00H02201591	28.05	19
00H00200701	28.02	15	00H01224021	28.08	11	00H02207671	28.06	31
00H00200831	28.02	2	00H01301501	28.09	21	00H02300961	28.07	36
00H00201111	28.02	13	00H01301691	28.09	20	00H02304501	28.07	8
00H00201441	28.02	17	00H01301731	28.09	21	00H02305381	28.06	14
00H00201531	28.02	9	00H01301831	28.08	21	00H02401282	28.09	10
00H00201581	28.02	18	00H01301831	28.10	25	00H02402282	28.08	19
00H00202101	28.02	25	00H01302052	28.09	8	00H02404331	28.09	1
00H00202151	28.02	7	00H01302172	28.09	23	00H02405331	28.09	1
00H00202231	28.02	14	00H01302351	28.09	13	00H02500272	28.01	18
00H00203151	28.02	7	00H01302354	28.09	13	00H02501491	29.20	28
00H00203261	28.02	12	00H01303691	28.08	12	00H02703421	29.17	2
00H00203471	28.02	16	00H01303691	28.09	20	00H02800421	29.18	23
00H00204191	28.02	11	00H01304091	28.09	22	00H02810421	29.18	23
00H00204271	28.02	6	00H01304202	28.03	2	00H02812371	29.18	22
00H00206171	28.02	8	00H01304202	28.09	2	00H02813371	29.18	22
00H00207171	28.02	8	00H01305531	28.09	9	00H02902252	29.19	15
00H00209011	28.02	5	00H01306353	28.09	13	00H03000091	29.20	26
00H00300672	28.08	18	00H01307821	28.09	16	00H03000272	28.01	26
00H00300912	28.03	20	00H01308361	28.09	12	00H03204231	29.21	13
00H00301401	28.03	5	00H01309321	28.09	11	00H03204281	29.21	8
00H00303892	28.03	23	00H01309361	28.09	12	00H03206421	29.21	4
00H00400501	28.13	24	00H01315321	28.09	11	00H03207261	28.04	33
00H00404051	28.04	24	00H01317031	28.09	6	00H03208491	28.04	27
00H00406011	28.04	9	00H01317031	28.09	6	00H03209251	28.04	26
00H00604141	28.04	2	00H01317032	28.09	6	00H03214431	29.21	3
00H00705121	28.05	13	00H01501212	28.09	18	00H03330171	29.22	7
00H00715341	28.05	11	00H01501501	28.01	30	00H03404321	28.12	9
00H00800422	28.01	28	00H01501701	28.05	9	00H03700111	28.13	36
00H00805072	28.01	12	00H01501811	28.03	17	00H03700131	28.10	9
00H00900211	28.06	44	00H01501811	28.05	25	00H03700461	29.20	18
00H00900841	28.06	41	00H01501811	28.05	27	00H03701411	28.13	29
00H00900871	28.06	10	00H01501811	28.10	24	00H03701511	29.23	14
00H00903291	28.06	16	00H01502101	28.01	29	00H03703051	28.13	28
00H00906081	28.06	38	00H01502201	28.09	17	00H03704081	28.13	26
00H00906203	28.06	6	00H01502501	28.01	32	00H03706011	29.23	8
00H00917301	28.06	17	00H01502741	28.07	15	00H03800722	28.05	42
00H00919751	28.06	11	00H01503101	28.01	31	00H03801751	28.13	14
00H00930071	28.06	15	00H01507201	28.09	17	00H03801961	28.13	7
00H00930091	28.06	4	00H01508181	28.03	11	00H03802461	28.12	21
00H00931171	28.06	3	00H01508191	28.03	22	00H03802472	28.13	3
00H01000131	28.07	10	00H01600911	28.11	4	00H03802541	28.13	1
00H01001701	28.10	7	00H01643521	28.11	1	00H03802751	28.13	8
00H01001911	28.07	2	00H01645521	28.11	1	00H03805091	28.13	25
00H01005311	28.07	29	00H01701011	28.07	40	00H03805301	28.13	19
00H01009321	28.07	12	00H01704311	28.07	38	00H03808021	28.13	13
00H01100172	28.10	17	00H01706021	28.07	39	00H03810501	28.13	2
00H01101211	28.10	8	00H01801771	28.01	15	00H04103771	29.21	22
00H01102072	28.10	29	00H01802081	28.05	15	00H04302181	28.04	6
00H01103611	28.10	14	00H01803331	28.03	8	00H04603841	28.07	19
00H01106181	28.10	12	00H01809541	28.04	25	00H04703141	28.08	14
00H01109081	28.10	1	00H02008031	28.02	22	00H04903292	28.01	22
00H01120021	28.10	16	00H02008041	28.02	23	00H05101561	28.14	2
00H01201331	28.08	16	00H02015031	28.02	23	00H05700101	28.07	13
00H01202271	28.08	2	00H02015041	28.02	22	00H05700481	28.07	4
00H01203031	28.08	22	00H02100191	28.06	7	00H05701061	28.07	33
00H01204711	28.08	3	00H02100351	28.06	40	00H05703141	28.07	11
00H01206061	28.08	12	00H02100401	28.06	45	00H05900021	28.03	14
00H01206101	28.08	10	00H02100861	28.06	8	00H05900021	28.04	37
00H01207101	28.08	10	00H02100901	28.06	22	00H05900021	28.05	2
00H01208191	28.08	13	00H02101011	28.06	18	00H06201061	28.04	15
00H01209081	28.08	6	00H02101621	28.06	2	00H06303401	28.01	16
00H01209082	28.08	6	00H02105082	28.06	5	00H06303752	28.04	5
00H01209101	28.08	10	00H02105612	28.06	27	00H06303762	28.04	43
00H01211082	28.08	6	00H02200681	28.06	13	00H06500451	28.01	19
00H01218111	28.08	9	00H02201302	28.01	24	00K05110651	28.05	12
00H01219111	28.08	9	00H02201312	28.01	6	018644	29.24	13

Code	Drawing Nr.	Pos.	Code	Drawing Nr.	Pos.	Code	Drawing Nr.	Pos.
20H02102011	28.06	35	847069	29.17	4	847235	29.22	2
20H02102831	28.06	36	847070	29.17	5	847236	29.17	1
231215	28.07	42	847073	29.17	3	847237	29.20	7
254485	28.05	8	847074	29.19	4	847238	29.20	8
288862	29.21	21	847075	29.16	19	847239	29.20	13
288863	29.21	16	847075	29.17	7	847241	29.20	3
288865	29.21	9	847076	29.23	11	8472625001	29.15	2
288872	29.21	12	847077	29.24	6	8472625002	29.15	2
288873	29.21	11	847078	29.24	8	8472625003	29.15	2
288881	29.21	24	847079	29.24	5	8472625004	29.15	2
289575	29.21	15	847080	29.24	7	847330	29.19	12
311163	29.23	13	847083	29.16	18	8475085	29.15	1
319446	29.20	12	847085	29.22	6	847529	29.15	17
414834	29.20	24	847086	29.18	3	847541	29.18	16
414837	29.15	13	847087	29.20	14	847542	29.18	14
436947	29.15	14	847090	29.16	22	847544	29.18	2
482916	29.21	8	847091	29.20	11	847545	29.18	18
482942	29.21	10	847093	29.20	20	847546	29.18	17
483395	29.24	12	847096	29.20	29	847547	29.18	34
484704	29.21	7	8470985	29.16	1	847548	29.18	15
484704	29.21	7	847153	29.18	7	847549	29.18	11
623920	29.16	9	847154	29.18	21	847550	29.18	13
828074	29.21	20	847155	29.18	9	852163	28.14	4
82829R	29.22	1	847156	29.18	10	852164	28.14	3
830487	29.20	25	847157	29.18	8	854022	28.14	8
847006	29.15	3	847158	29.18	30	854023	28.14	8
847007	29.15	18	847159	29.18	35	855038	28.07	6
847008	29.15	15	847172	29.15	12	856610	28.07	44
847010	29.15	10	847174	29.20	27	859702	28.07	6
847012	29.15	4	847176	29.24	13	860332	28.25	12
847015	29.20	16	847178	29.15	5	860333	28.25	13
847016	28.09	5	847180	29.20	15	860334	28.25	14
847019	29.18	19	847181	28.07	17	860335	28.25	2
847020	29.15	11	847181	28.10	21	860336	28.25	3
847021	29.18	4	847181	28.11	3	860337	28.25	6
847022	29.20	2	847181	28.12	12	860338	28.25	7
847023	29.20	10	847181	29.24	14	860339	28.25	4
847024	29.20	17	847182	29.23	3	860340	28.25	5
847027	29.18	1	847182	29.24	11	860341	28.25	10
847028	29.18	6	847183	29.23	7	860342	28.25	11
847029	29.18	36	847183	29.24	10	860343	28.25	8
847030	29.18	27	847184	29.23	2	860344	28.25	9
847031	29.18	37	847184	29.24	9	860345	28.25	18
847032	29.18	26	847209	29.18	20	860346	28.25	19
847033	29.18	31	847210	29.18	5	860347	28.25	22
847036	29.18	32	847211	29.18	12	860348	28.25	23
847038	29.18	29	847213	29.18	33	860349	28.25	20
847040	29.16	11	847214	29.18	28	860350	28.25	21
847042	29.16	12	847215	29.15	16	860351	28.25	16
847043	29.16	7	847215	29.22	4	860352	28.25	17
847044	29.16	8	847217	29.16	2	860353	28.25	15
847045	29.16	3	847218	29.16	4	860353	28.26	10
847046	29.16	13	847220	29.16	5	860354	28.25	24
847047	29.16	14	847222	29.16	10	860355	28.25	25
847048	29.16	16	847223	29.16	21	860356	28.25	12
847051	29.23	10	847224	29.16	15	860357	28.25	13
847052	29.23	1	847225	29.16	17	860358	28.25	14
847053	29.23	12	847226	29.23	6	860359	28.25	18
847055	29.23	4	847227	29.23	5	860360	28.25	19
847056	29.19	8	847228	29.17	8	860363	28.25	20
847057	29.19	10	847228	29.19	1	860364	28.25	21
847058	29.19	11	847229	29.19	3	860365	28.25	15
847060	29.19	7	847230	29.19	13	860365	28.26	10
847061	29.19	6	847231	29.19	14	861004	29.20	6
847062	29.19	9	847232	29.19	5	86100701WGA	28.01	1
847067	29.24	4	847233	29.22	5	861008	28.02	4
847068	29.17	6	847234	29.22	3	861013	28.14	1

Code	Drawing Nr.	Pos.	Code	Drawing Nr.	Pos.	Code	Drawing Nr.	Pos.
861015	28.12	1	86190310WON	28.07	5	864892	28.27	11
861017	28.08	6	862029	28.02	19	864893	28.02	20
861020	28.12	7	862038	28.06	28	864893	28.02	20
861023	28.09	13	862039	28.06	32	864893	28.27	12
861048	28.12	2	862429	28.12	17	864894	28.02	8
861049	28.12	13	862449	28.05	36	864894	28.02	8
8610500002	28.04	17	862453	28.02	1	864895	28.02	7
8610500003	28.04	17	862454	28.02	3	864895	28.02	7
86105000W04	28.04	17	862493	28.13	16	864895	28.27	14
861076	28.07	6	86250600WGB	28.01	9	864897	28.02	26
86107R	28.07	1	86250601WGB	28.01	9	864897	28.02	26
861081	28.04	1	86250700WGB	28.01	9	864897	28.27	16
861082	28.05	6	86250701WGB	28.01	9	864898	28.27	17
86108200WON	28.05	6	862541	28.13	23	864899	28.02	13
861083	28.05	7	862542	28.13	12	864899	28.02	13
86108300WON	28.05	7	862543	28.13	18	864899	28.27	18
86108400WOB	28.05	33	862544	28.13	4	864900	28.02	19
86108400WON	28.05	33	862566	28.14	2	864900	28.02	19
86108500WOB	28.05	34	862577	28.03	1	864900	28.27	19
86108500WON	28.05	34	862577	28.03	1	864901	28.27	22
861086	28.10	5	863001	28.01	35	864902	28.27	23
861087	28.05	1	863002	28.01	36	864903	28.27	24
86108700WOR	28.05	1	863136	29.18	29	864904	28.02	22
861120	28.14	2	863469	28.08	1	864904	28.27	2
861305	28.06	29	863470	28.08	1	864905	28.02	8
86133R	28.03	18	863471	28.09	1	864905	28.27	13
861369	28.04	38	863476	28.01	1	864906	28.27	15
8613690002	28.04	38	863688	28.10	13	86507100WON	28.05	4
8613690002	28.04	38	864453	28.27	25	86507200WON	28.05	5
861370	28.04	18	864489	28.04	6	86507300WON	28.07	5
86137202WGA	28.03	1	864490	28.13	28	86507400WOB	28.05	33
86137R	28.11	6	864508	28.02	4	86507400WON	28.05	33
86138R	28.13	13	864508	28.02	4	86507500WOB	28.05	34
861417	28.04	23	864509	28.02	4	86507500WON	28.05	34
861560	28.06	44	864509	28.02	4	86507600WOB	28.05	14
861612	29.22	6	864660	28.07	25	86507600WOB	28.05	14
861621	28.06	34	864880	28.02	5	86507600WON	28.05	14
861630	28.02	24	864880	28.02	5	86508000WON	28.07	5
8617120001	28.25	2	864880	28.27	20	865091	28.12	1
8617130001	28.25	3	864881	28.02	24	865093	28.12	18
8617140001	28.25	4	864881	28.02	24	86517800WON	28.05	6
8617150001	28.25	5	864881	28.27	21	86517900WON	28.05	7
8617160001	28.25	6	864882	28.02	11	865438	28.01	1
8617170001	28.25	7	864882	28.02	11	865500	28.02	18
8617180001	28.25	8	864882	28.27	3	865500	28.02	18
8617190001	28.25	9	864883	28.02	22	865501	28.02	3
8617200001	28.25	10	864883	28.02	22	865501	28.02	3
8617210001	28.25	11	864884	28.02	23	865502	28.02	1
8617220001	28.25	12	864884	28.02	23	865502	28.02	1
8617230001	28.25	13	864884	28.27	1	865503	28.02	28
8617240001	28.25	14	864885	28.27	4	865504	28.02	27
8617250001	28.25	15	864886	28.02	17	865505	28.02	28
8617260001	28.25	16	864886	28.02	17	865505	28.02	28
8617270001	28.25	17	864886	28.27	5	865506	28.02	27
8617280001	28.25	18	864887	28.02	16	865506	28.02	27
8617290001	28.25	19	864887	28.02	16	865533	28.08	11
8617300001	28.25	20	864887	28.27	6	865534	28.08	11
8617310001	28.25	21	864888	28.02	15	866128	28.11	1
8617320001	28.25	1	864888	28.02	15	866128	28.11	1
8617330001	28.25	1	864888	28.27	7	866129	28.11	1
86177200WON	28.05	1	864889	28.02	14	866129	28.11	1
86177200WOR	28.05	1	864889	28.02	14	866283	28.08	1
86189810W2R	28.05	4	864889	28.27	8	866284	28.09	1
86189910W2R	28.05	5	864890	28.02	9	866285	28.08	1
86190010W2R	28.05	33	864890	28.02	9	86632000WON	28.05	4
86190110W2R	28.05	34	864890	28.27	9	86632100WON	28.05	5
86190210W2R	28.05	14	864891	28.27	10	86632400WOR	28.05	1

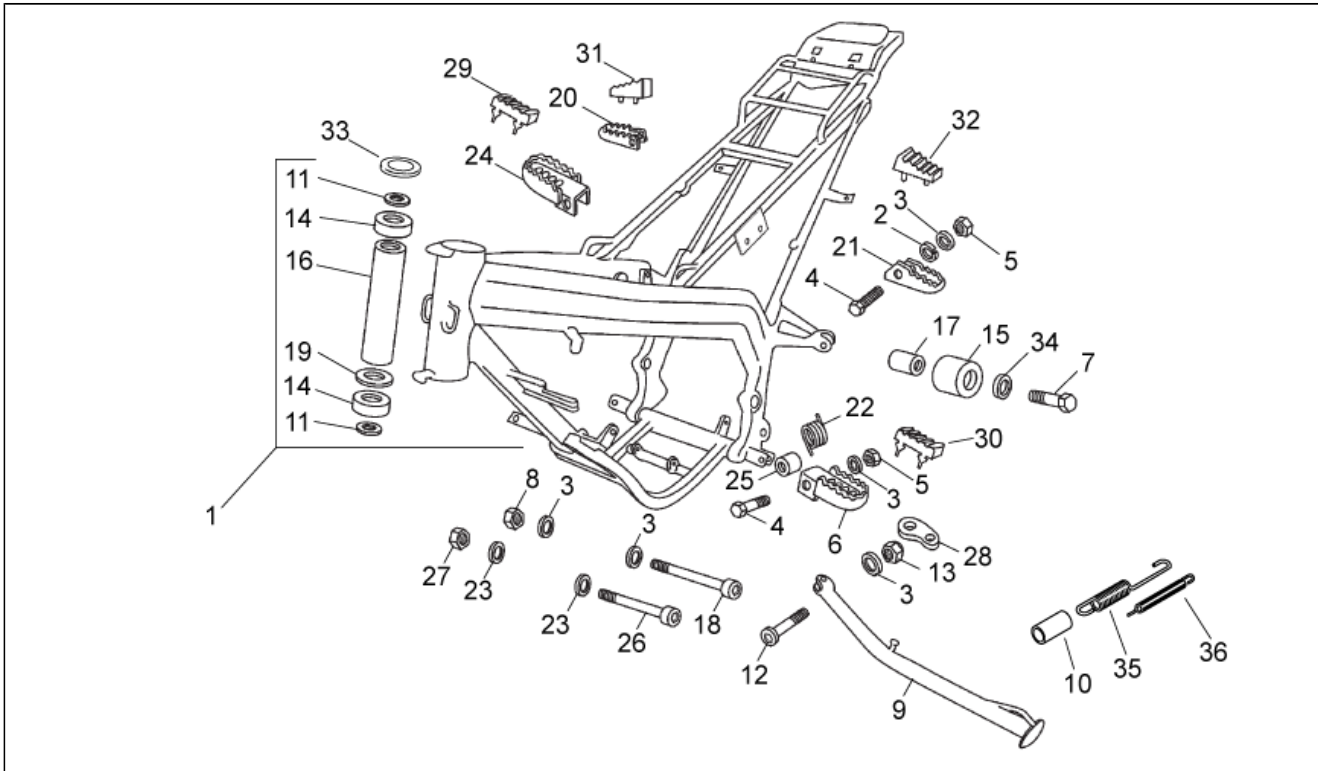
Code	Drawing Nr.	Pos.	Code	Drawing Nr.	Pos.
86632600XB2	28.07	5	AP8121032	28.05	40
86632900WON	28.05	4	AP8121991	28.07	45
86633000WON	28.05	5	AP8123206	28.02	21
86633400XN4	28.07	5	AP8123655	28.02	10
8664530001	28.06	1	AP8126701	28.04	41
866489	28.06	2	AP8126702	28.04	42
866729	28.06	41	AP8127489	28.07	41
86678300WON	28.05	4	AP8127783	28.07	38
86678400WON	28.05	5	AP8127784	28.07	39
86678500WON	28.05	4	AP8134378	28.12	5
86678600WON	28.05	5	AP8140710	28.14	7
871319	29.20	30	AP8150044	28.07	43
871643	29.15	8	AP8150178	28.13	33
871688	29.24	3	AP8150349	28.14	6
871725	29.15	7	AP8150420	28.05	10
871725	29.15	7	AP8150450	28.05	31
871730	29.20	2	AP8152137	28.07	47
871930	29.20	5	AP8152181	28.07	46
873815	29.20	21	AP8152181	28.13	31
874224	29.15	9	AP8152302	28.05	38
876733	29.23	15	AP8152329	28.05	43
8770700001	29.15	2	AP8201169	28.13	32
8770700002	29.15	2	AP8203200	28.02	20
8770700003	29.15	2	AP8206922	29.21	6
8770700004	29.15	2	AP8212529	28.06	30
877072	29.15	3	AP8220462	28.06	33
8772085	29.15	1	AP8276033	29.21	3
877264	29.20	16	AP9100053	28.05	39
890534	28.26	8	CM101729	29.21	5
890535	28.26	9	CM102101	29.21	6
890539	28.26	8	CM106217	29.21	25
890540	28.26	9	CM106229	29.21	4
890575	28.26	7	CM107514	29.21	3
890995	28.26	1	CM107701	29.21	18
890996	28.26	2	CM128502	29.21	23
890997	28.26	3	CM141711	29.21	2
890998	28.26	4	CM146203	29.21	14
893005	28.26	13	CM149801	29.20	9
893011	28.26	13	CM149802	29.19	2
893847	28.26	5	CM149804	29.15	13
893848	28.26	5	CM149804	29.20	22
893849	28.26	11	CM149805	29.24	2
893850	28.26	12	CM149806	29.20	23
894115	28.07	1	CM149808	29.20	24
894116	28.06	28	CM1503015	29.20	1
894117	28.06	31	CM150703	29.20	4
894118	28.05	11	CM150802	29.24	1
89411900XB2	28.05	37	CM151201	29.16	20
89411900XN4	28.05	37	CM151902	29.15	6
894121	28.11	7	CM152705	29.21	1
894122	28.05	44	CM159501	29.15	8
894133	28.14	8	CM159502	29.15	8
894235	28.14	8	CM159503	29.15	8
894542	28.26	6	R861012	28.06	1
894543	28.26	6	R861012	28.06	1
894703	28.06	37			
894795	28.06	11			
896084	28.26	14			
896085	28.26	15			
896086	28.26	5			
896087	28.26	14			
896088	28.26	15			
896089	28.26	5			
AP8101743	28.13	34			
AP8102524	28.01	10			
AP8120001	28.04	3			
AP8120116	28.13	23			

<b>Assembly</b>	FRAME
<b>Code</b>	28.01
<b>Description</b>	Frame
<b>Revision</b>	1



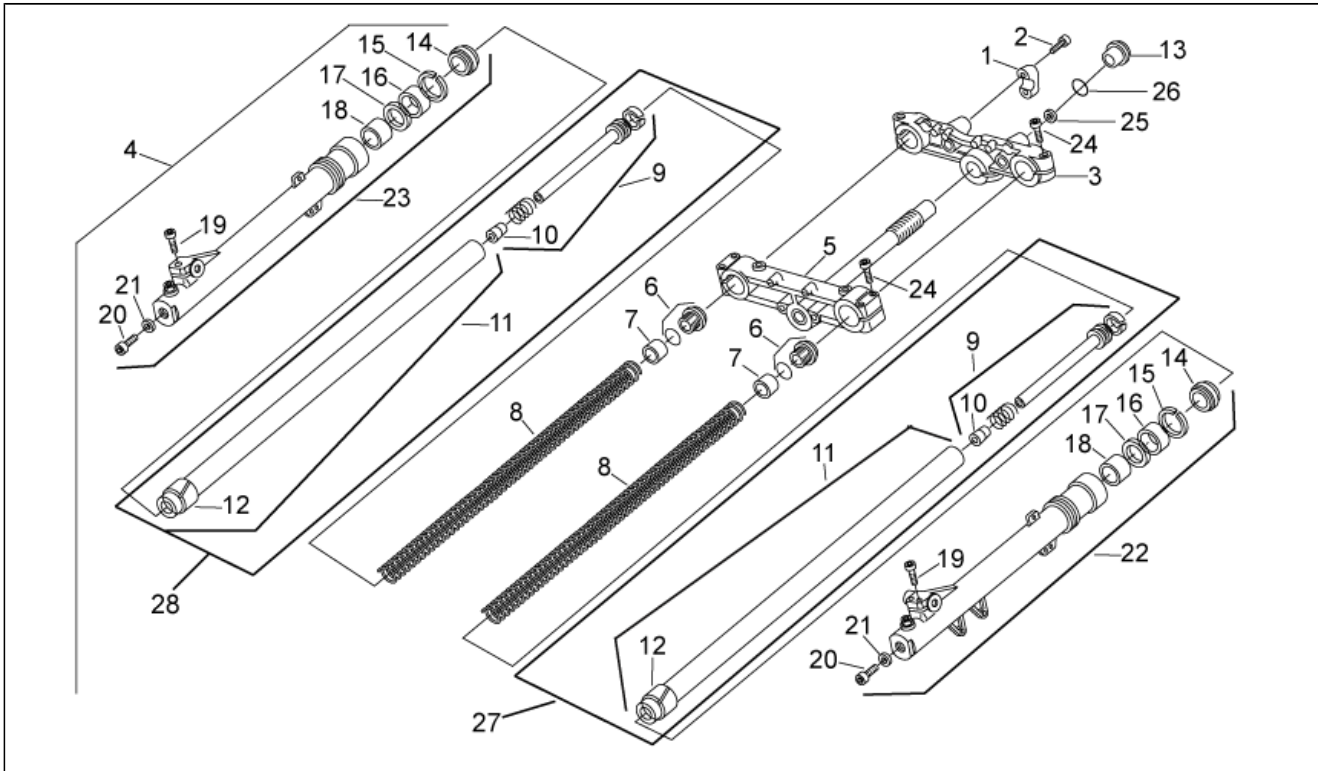
Pos.	Code	Description	Q.ty	Variants
1	86100701WGA	Frame	1	year:2009[9]
1	863476	Frame	1	year: 2006[6] Color:Red Lion 2006 (s.t.85433)[red]
1	865438	Frame	1	year: 2008[8] Color:Off Black 2008 (s.t.860432)[black], Off White 2008 (s.t.860431)[white]
2	00036008000	Washer	2	
3	00402080001	Washer D8	6	
4	00022084021	Screw M125X40	2	
5	00023108000	Nut M8X125	1	
6	00H02201312	LH Foot rests	1	
7	00022084521	Screw 8M125X45	1	
8	00262080022	Nut 8M125	1	
9	86250600WGB	Central stand	1	year: 2006[6], 2008[8] Color: Red Lion 2006 (s.t.85433)[red], Off White 2008 (s.t.860431)[white] Technical Specifications:Enduro version[rx]
9	86250601WGB	Central stand	1	year: 2009[9] Color: Off White 2009 (s.t.893927)[off.w] Technical Specifications:Enduro version[rx]
9	86250700WGB	Central stand	1	year: 2006[6], 2008[8] Color: Off Black 2008 (s.t.860432)[black], Red Lion 2006 (s.t.85433)[red] Technical Specifications:Motard version[sx]
9	86250701WGB	Central stand	1	year: 2009[9] Color: Off Black 2009 (s.t.893828)[off.b] Technical Specifications:Motard version[sx]
10	AP8102524	Stand spring protection	1	
11	00008902630	Washer	2	
12	00H00805072	Stand pin	1	
13	00023108000	Nut M8X125	1	

<b>Assembly</b>	FRAME
<b>Code</b>	28.01
<b>Description</b>	Frame
<b>Revision</b>	1



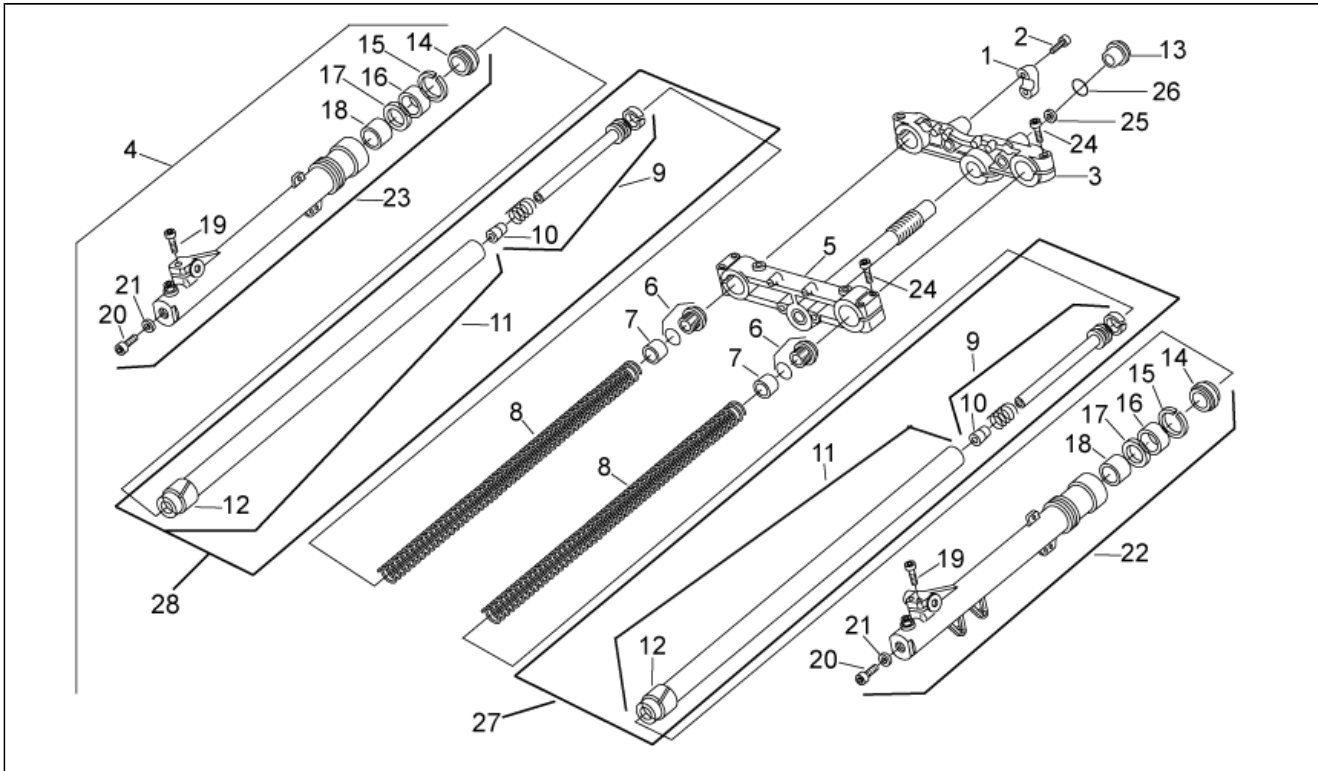
Pos.	Code	Description	Q.ty	Variants
14	00000056205	Bearing	2	
15	00H01801771	Roller	1	
16	00H06303401	Pipe	1	
17	00002518790	Bushing	1	
18	00H02500272	Screw 8M125X90	1	
19	00H06500451	Washer	1	
20	00D01520096	Rear footrest, RH	1	
21	00D01540456	Rear footrest, LH	1	
22	00H04903292	Spring	1	
23	00402100001	Washer	2	
24	00H02201302	RH Foot rests	1	
25	00002215152	Bushing	1	
26	00H03000272	Screw 10M150X100	1	
27	00262100032	Nut 10M150	1	
28	00H00800422	Plate	1	
29	00H01502101	RH protection	1	Technical Specifications:Motard version[sx]
30	00H01501501	LH protection	1	Technical Specifications:Motard version[sx]
31	00H01503101	RH protection	1	Technical Specifications:Motard version[sx]
32	00H01502501	LH protection	1	Technical Specifications:Motard version[sx]
33	00D00200761	Dust cover	11	
34	00003306570	Washer	1	
35	863001	Outer spring	1	
36	863002	Inner spring	1	

<b>Assembly</b>	FRAME
<b>Code</b>	28.02
<b>Description</b>	Front fork
<b>Revision</b>	1



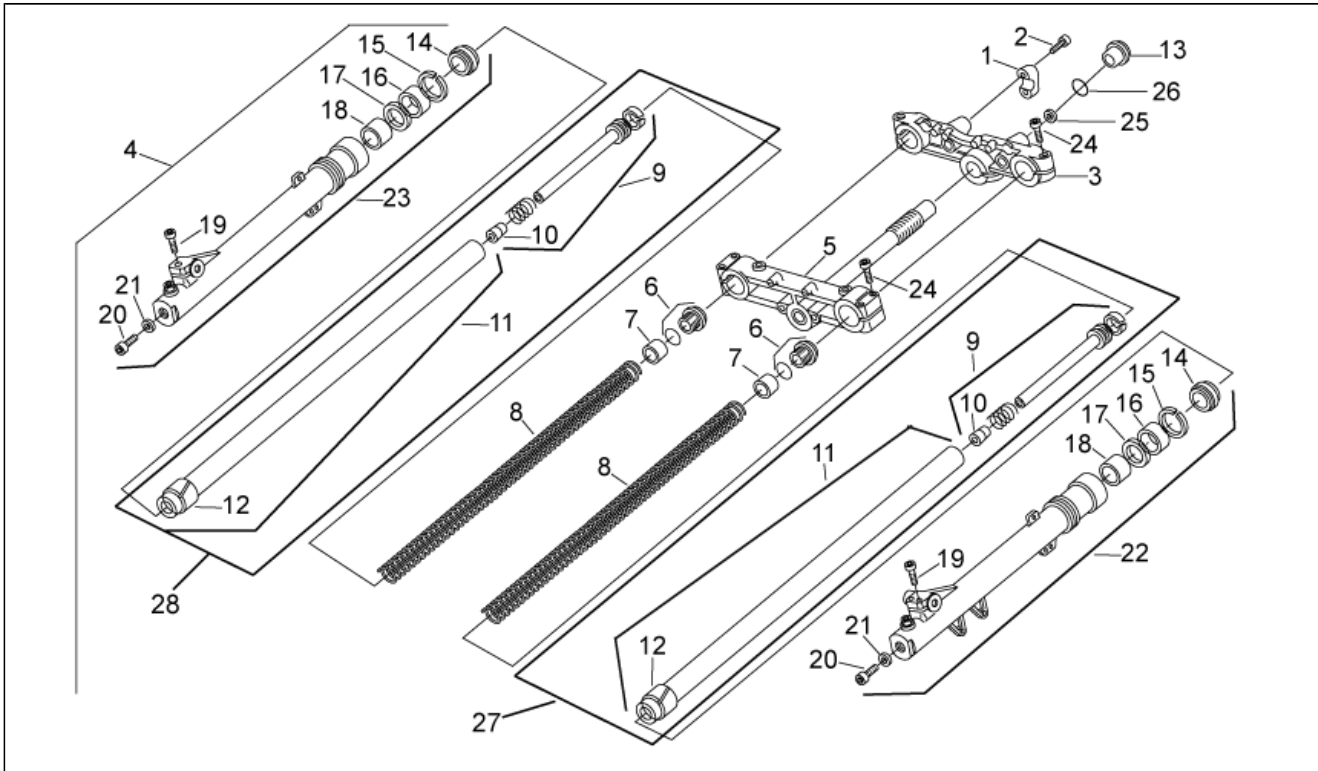
Pos.	Code	Description	Q.ty	Variants
1	862453	U-bolt	2	year: 2006[6] Technical Specifications:DERBI/MARZOCCHI fork[m]
1	865502	U-bolt	2	year: 2008[8] Technical Specifications:KYB fork[kyb]
1	865502	U-bolt	2	year: 2009[9] Technical Specifications:KYB fork[kyb], Enduro version[rx]
2	00H00200831	Screw M8X30	4	year: 2006[6] Technical Specifications:DERBI/MARZOCCHI fork[m]
3	862454	Fork upper plate	1	year: 2006[6] Technical Specifications:DERBI/MARZOCCHI fork[m]
3	865501	Fork upper plate	1	year: 2008[8] Technical Specifications:KYB fork[kyb]
3	865501	Fork upper plate	1	year: 2009[9] Technical Specifications:KYB fork[kyb], Enduro version[rx]
4	861008	Front fork	1	year: 2006[6] Color: Red Lion 2006 (s.t.85433)[red] Technical Specifications:DERBI/MARZOCCHI fork[m], Enduro version[rx]
4	864508	Front fork	1	year: 2008[8] Color: Off White 2008 (s.t.860431)[white] Technical Specifications:KYB fork[kyb], Enduro version[rx]
4	864508	Front fork	1	year: 2009[9] Color: Off White 2009 (s.t.893927)[off.w] Technical Specifications:KYB fork[kyb], Enduro version[rx]
4	864509	Front fork	1	year: 2006[6] Color: Red Lion 2006 (s.t.85433)[red] Technical Specifications:DERBI/MARZOCCHI fork[m], Motard version[sx]
4	864509	Front fork	1	year: 2008[8] Color: Off Black 2008 (s.t.860432)[black] Technical Specifications:KYB fork[kyb], Motard version[sx]
5	00H00209011	Stem base	1	year: 2006[6] Technical Specifications:DERBI/MARZOCCHI fork[m]

<b>Assembly</b>	FRAME
<b>Code</b>	28.02
<b>Description</b>	Front fork
<b>Revision</b>	1



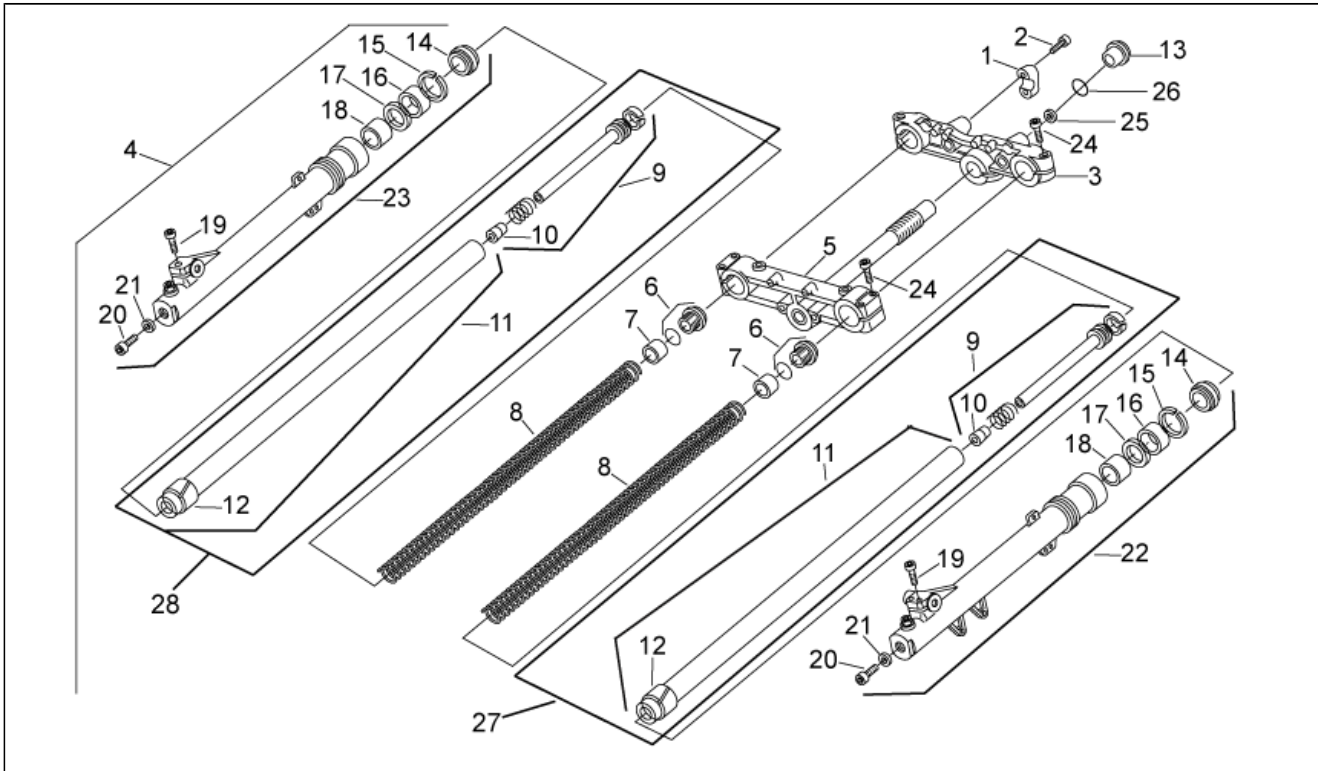
Pos.	Code	Description	Q.ty	Variants
5	864880	Stem base	1	year: 2008[8] Technical Specifications: KYB fork[kyb]
5	864880	Stem base	1	year: 2009[9] Technical Specifications: KYB fork[kyb], Enduro version[rx]
6	00H00204271	Sleeve plug	2	year: 2006[6] Technical Specifications: DERBI/MARZOCCHI fork[m]
7	00H00202151	Ring nut	2	year: 2006[6] Technical Specifications: DERBI/MARZOCCHI fork[m], Enduro version[rx]
7	00H00203151	Ring nut	2	year: 2006[6] Technical Specifications: DERBI/MARZOCCHI fork[m], Motard version[sx]
7	864895	Washer	2	year: 2008[8] Technical Specifications: KYB fork[kyb]
7	864895	Washer	2	year: 2009[9] Technical Specifications: KYB fork[kyb], Enduro version[rx]
8	00H00206171	Spring	2	year: 2006[6] Technical Specifications: DERBI/MARZOCCHI fork[m], Enduro version[rx]
8	00H00207171	Spring	2	year: 2006[6] Technical Specifications: DERBI/MARZOCCHI fork[m], Motard version[sx]
8	864894	Spring	2	year: 2008[8] Technical Specifications: KYB fork[kyb], Enduro version[rx]
8	864894	Spring	2	year: 2009[9] Technical Specifications: KYB fork[kyb], Enduro version[rx]
8	864905	Spring	2	year: 2008[8] Technical Specifications: KYB fork[kyb], Motard version[sx]
9	00H00201531	Plunger, complete	2	year: 2006[6] Technical Specifications: DERBI/MARZOCCHI fork[m]
9	864890	Plunger, complete	2	year: 2008[8] Technical Specifications: KYB fork[kyb]
9	864890	Plunger, complete	2	year: 2009[9]

<b>Assembly</b>	FRAME
<b>Code</b>	28.02
<b>Description</b>	Front fork
<b>Revision</b>	1



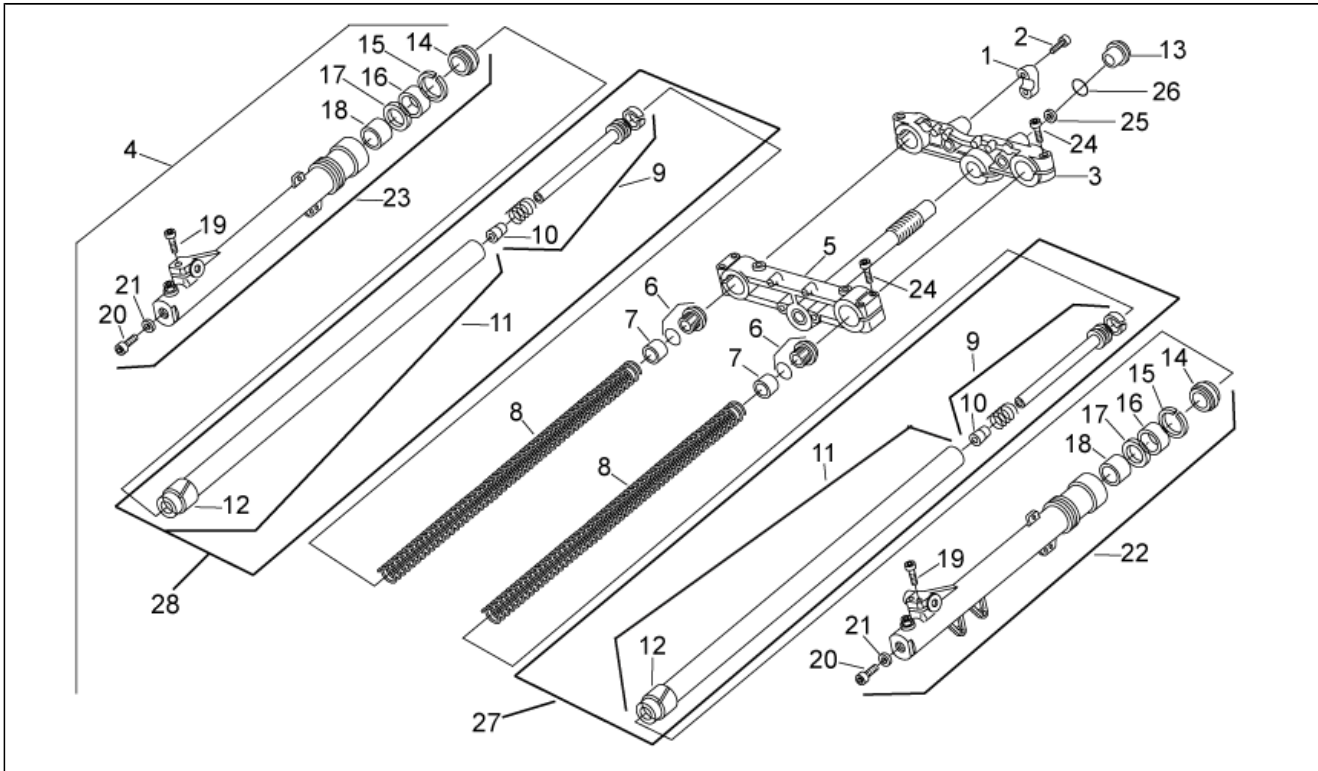
Pos.	Code	Description	Q.ty	Variants
				<b>Technical Specifications:</b> KYB fork[kyb], Enduro version[rx]
10	AP8123655	Stroke limit stop	2	<b>year:</b> 2006[6] <b>Technical Specifications:</b> DERBI/MARZOCCHI fork[m]
11	00H00204191	Sleeve	2	<b>year:</b> 2006[6] <b>Technical Specifications:</b> DERBI/MARZOCCHI fork[m]
11	864882	Sleeve	2	<b>year:</b> 2009[9] <b>Technical Specifications:</b> KYB fork[kyb], Enduro version[rx]
11	864882	Sleeve	2	<b>year:</b> 2008[8] <b>Technical Specifications:</b> KYB fork[kyb]
12	00H00203261	Bush	2	<b>year:</b> 2006[6] <b>Technical Specifications:</b> DERBI/MARZOCCHI fork[m]
13	00H00201111	Plug	1	<b>year:</b> 2006[6] <b>Technical Specifications:</b> DERBI/MARZOCCHI fork[m]
13	864899	Plug	1	<b>year:</b> 2008[8] <b>Technical Specifications:</b> KYB fork[kyb]
13	864899	Plug	1	<b>year:</b> 2009[9] <b>Technical Specifications:</b> KYB fork[kyb], Enduro version[rx]
14	00H00202231	Dust cover	2	<b>year:</b> 2006[6] <b>Technical Specifications:</b> DERBI/MARZOCCHI fork[m]
14	864889	Dust cover	2	<b>year:</b> 2008[8] <b>Technical Specifications:</b> KYB fork[kyb]
14	864889	Dust cover	2	<b>year:</b> 2009[9] <b>Technical Specifications:</b> KYB fork[kyb], Enduro version[rx]
15	00H00200701	Stop ring	2	<b>year:</b> 2006[6] <b>Technical Specifications:</b> DERBI/MARZOCCHI fork[m]
15	864888	Stop ring	2	<b>year:</b> 2009[9] <b>Technical Specifications:</b> KYB fork[kyb], Enduro version[rx]
15	864888	Stop ring	2	<b>year:</b> 2008[8] <b>Technical Specifications:</b> KYB fork[kyb]
16	00H00203471	Oil seal	2	<b>year:</b> 2006[6] <b>Technical Specifications:</b> DERBI/MARZOCCHI fork[m]
16	864887	Oil seal	2	<b>year:</b> 2009[9]

<b>Assembly</b>	FRAME
<b>Code</b>	28.02
<b>Description</b>	Front fork
<b>Revision</b>	1



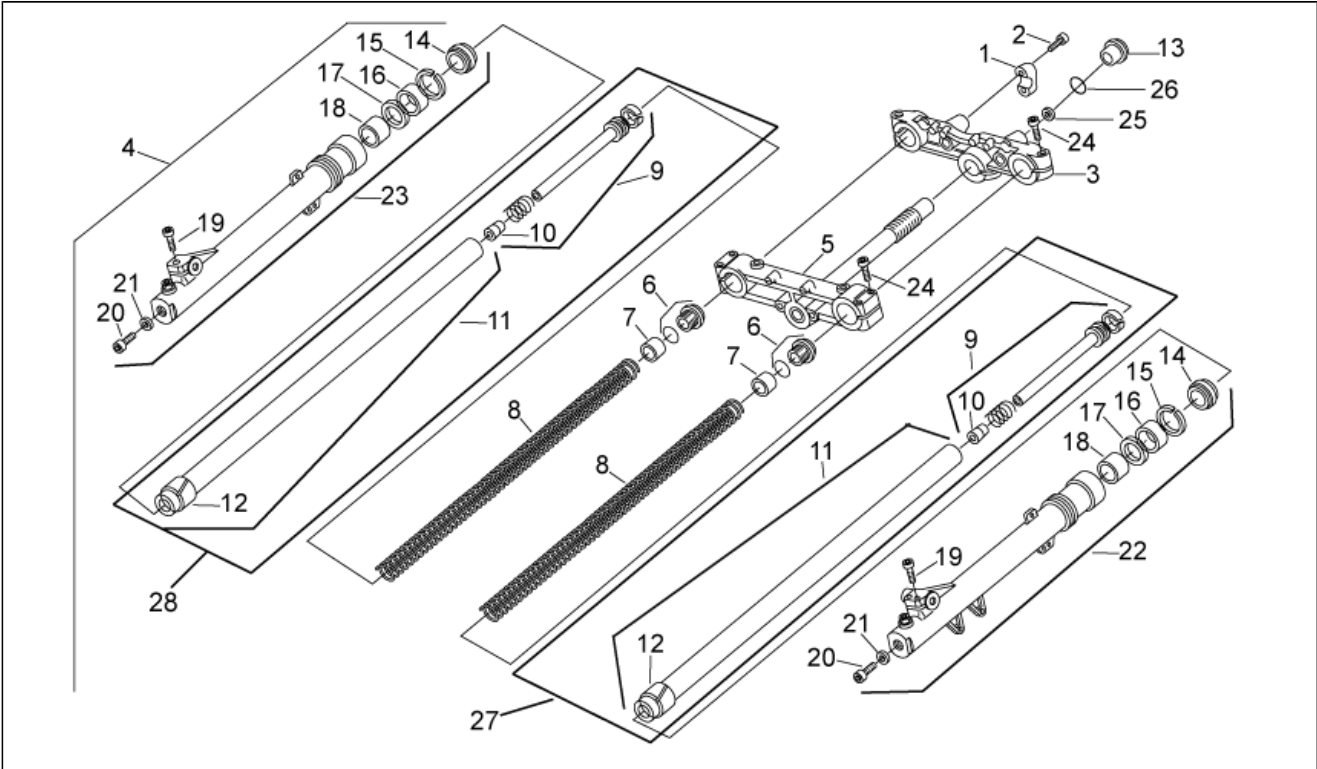
Pos.	Code	Description	Q.ty	Variants
				<b>Technical Specifications:</b> KYB fork[kyb], Enduro version[rx]
16	864887	Oil seal	2	<b>year:</b> 2008[8] <b>Technical Specifications:</b> KYB fork[kyb]
17	00H00201441	Ring	2	<b>year:</b> 2006[6] <b>Technical Specifications:</b> DERBI/MARZOCCHI fork[m]
17	864886	Washer	2	<b>year:</b> 2008[8] <b>Technical Specifications:</b> KYB fork[kyb]
17	864886	Washer	2	<b>year:</b> 2009[9] <b>Technical Specifications:</b> KYB fork[kyb], Enduro version[rx]
18	00H00201581	Bush	2	<b>year:</b> 2006[6] <b>Technical Specifications:</b> DERBI/MARZOCCHI fork[m]
18	865500	Bush	2	<b>year:</b> 2008[8] <b>Technical Specifications:</b> KYB fork[kyb]
18	865500	Bush	2	<b>year:</b> 2009[9] <b>Technical Specifications:</b> KYB fork[kyb], Enduro version[rx]
19	862029	Screw m6x25	2	<b>year:</b> 2006[6] <b>Technical Specifications:</b> DERBI/MARZOCCHI fork[m]
19	864900	Screw	2	<b>year:</b> 2009[9] <b>Technical Specifications:</b> KYB fork[kyb], Enduro version[rx]
19	864900	Screw	2	<b>year:</b> 2008[8] <b>Technical Specifications:</b> KYB fork[kyb]
20	864893	Screw	2	<b>year:</b> 2009[9] <b>Technical Specifications:</b> KYB fork[kyb], Enduro version[rx]
20	864893	Screw	2	<b>year:</b> 2008[8] <b>Technical Specifications:</b> KYB fork[kyb]
20	AP8203200	Hex socket screw m10x30	2	<b>year:</b> 2006[6] <b>Technical Specifications:</b> DERBI/MARZOCCHI fork[m]
21	AP8123206	Seal washer	2	<b>year:</b> 2006[6] <b>Technical Specifications:</b> DERBI/MARZOCCHI fork[m]
22	00H02008031	LH sleeve cpl.	1	<b>year:</b> 2006[6] <b>Technical Specifications:</b> DERBI/MARZOCCHI fork[m], Enduro version[rx]

<b>Assembly</b>	FRAME
<b>Code</b>	28.02
<b>Description</b>	Front fork
<b>Revision</b>	1



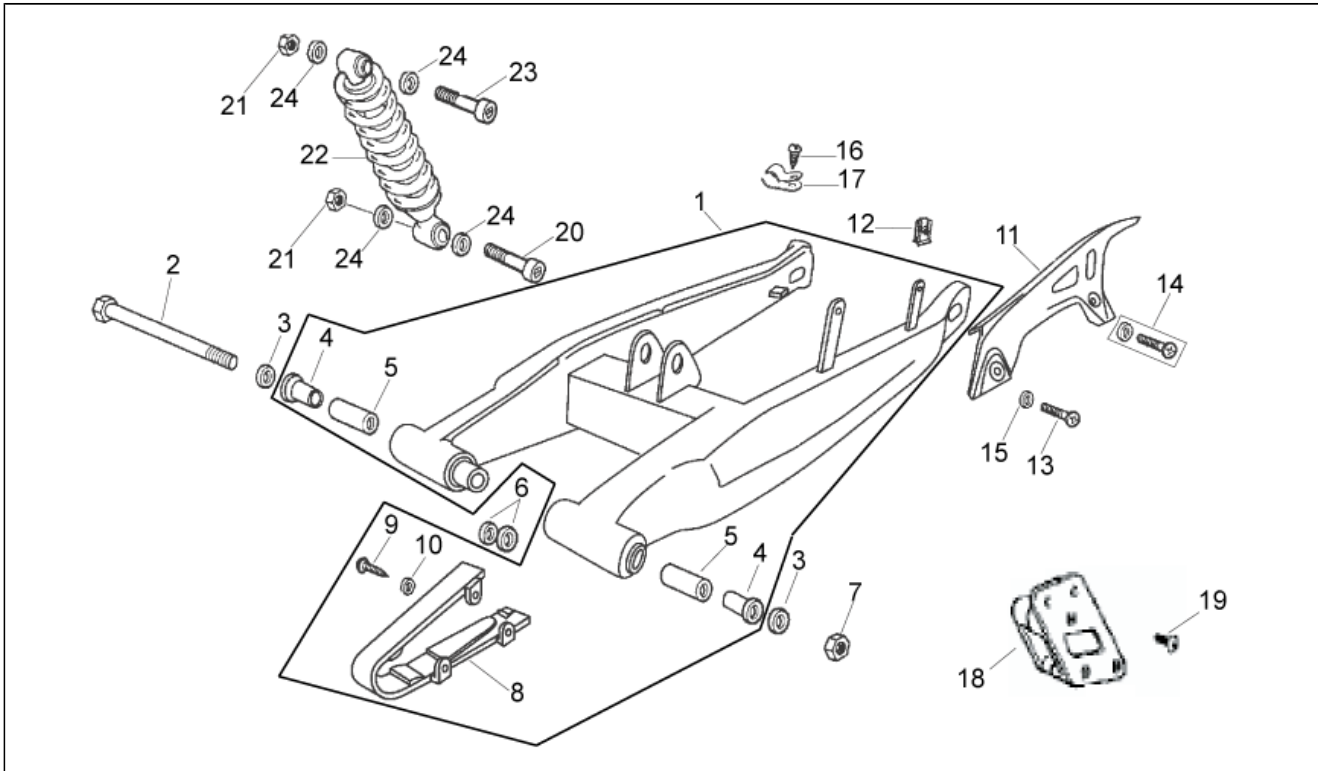
Pos.	Code	Description	Q.ty	Variants
22	00H02015041	LH sleeve cpl.	1	<b>year:</b> 2006[6] <b>Technical Specifications:</b> DERBI/MARZOCCHI fork[m], Motard version[sx]
22	864883	LH sleeve cpl.	1	<b>year:</b> 2008[8] <b>Technical Specifications:</b> KYB fork[kyb], Enduro version[rx]
22	864883	LH sleeve cpl.	1	<b>year:</b> 2009[9] <b>Technical Specifications:</b> KYB fork[kyb], Enduro version[rx]
22	864904	LH sleeve cpl.	1	<b>year:</b> 2008[8] <b>Technical Specifications:</b> KYB fork[kyb], Motard version[sx]
23	00H02008041	RH sleeve cpl.	1	<b>year:</b> 2006[6] <b>Technical Specifications:</b> DERBI/MARZOCCHI fork[m], Enduro version[rx]
23	00H02015031	RH sleeve cpl.	1	<b>year:</b> 2006[6] <b>Technical Specifications:</b> DERBI/MARZOCCHI fork[m], Motard version[sx]
23	864884	RH sleeve cpl.	1	<b>year:</b> 2008[8] <b>Technical Specifications:</b> KYB fork[kyb]
23	864884	RH sleeve cpl.	1	<b>year:</b> 2009[9] <b>Technical Specifications:</b> KYB fork[kyb], Enduro version[rx]
24	861630	Screw M8X35	6	<b>year:</b> 2006[6] <b>Technical Specifications:</b> DERBI/MARZOCCHI fork[m]
24	864881	Screw	6	<b>year:</b> 2008[8] <b>Technical Specifications:</b> KYB fork[kyb]
24	864881	Screw	6	<b>year:</b> 2009[9] <b>Technical Specifications:</b> KYB fork[kyb], Enduro version[rx]
25	00H00202101	Washer	2	<b>year:</b> 2006[6] <b>Technical Specifications:</b> DERBI/MARZOCCHI fork[m]
26	864897	O-ring	2	<b>year:</b> 2008[8] <b>Technical Specifications:</b> KYB fork[kyb]
26	864897	O-ring	2	<b>year:</b> 2009[9] <b>Technical Specifications:</b> KYB fork[kyb], Enduro version[rx]
27	865504	RH plunger, complete	2	<b>year:</b> 2008[8] <b>Technical Specifications:</b> KYB fork[kyb], Motard version[sx]

<b>Assembly</b>	FRAME
<b>Code</b>	28.02
<b>Description</b>	Front fork
<b>Revision</b>	1



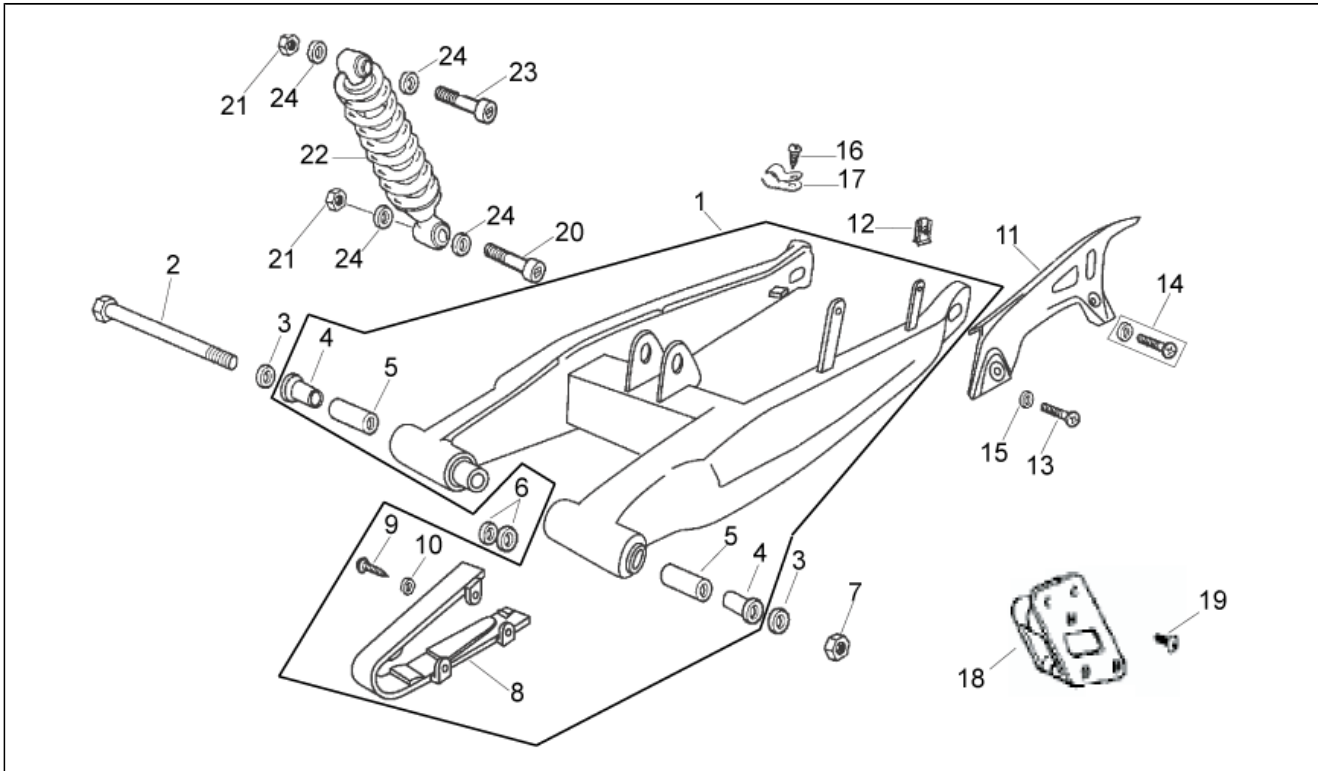
Pos.	Code	Description	Q.ty	Variants
27	865506	RH plunger, complete	2	year: 2008[8] Technical Specifications: KYB fork[kyb], Enduro version[rx]
27	865506	RH plunger, complete	2	year: 2009[9] Technical Specifications: KYB fork[kyb], Enduro version[rx]
28	865503	LH plunger, complete	2	year: 2008[8] Technical Specifications: KYB fork[kyb], Motard version[sx]
28	865505	LH plunger, complete	2	year: 2009[9] Technical Specifications: KYB fork[kyb], Enduro version[rx]
28	865505	LH plunger, complete	2	year: 2008[8] Technical Specifications: KYB fork[kyb], Enduro version[rx]

<b>Assembly</b>	FRAME
<b>Code</b>	28.03
<b>Description</b>	Swing arm
<b>Revision</b>	1



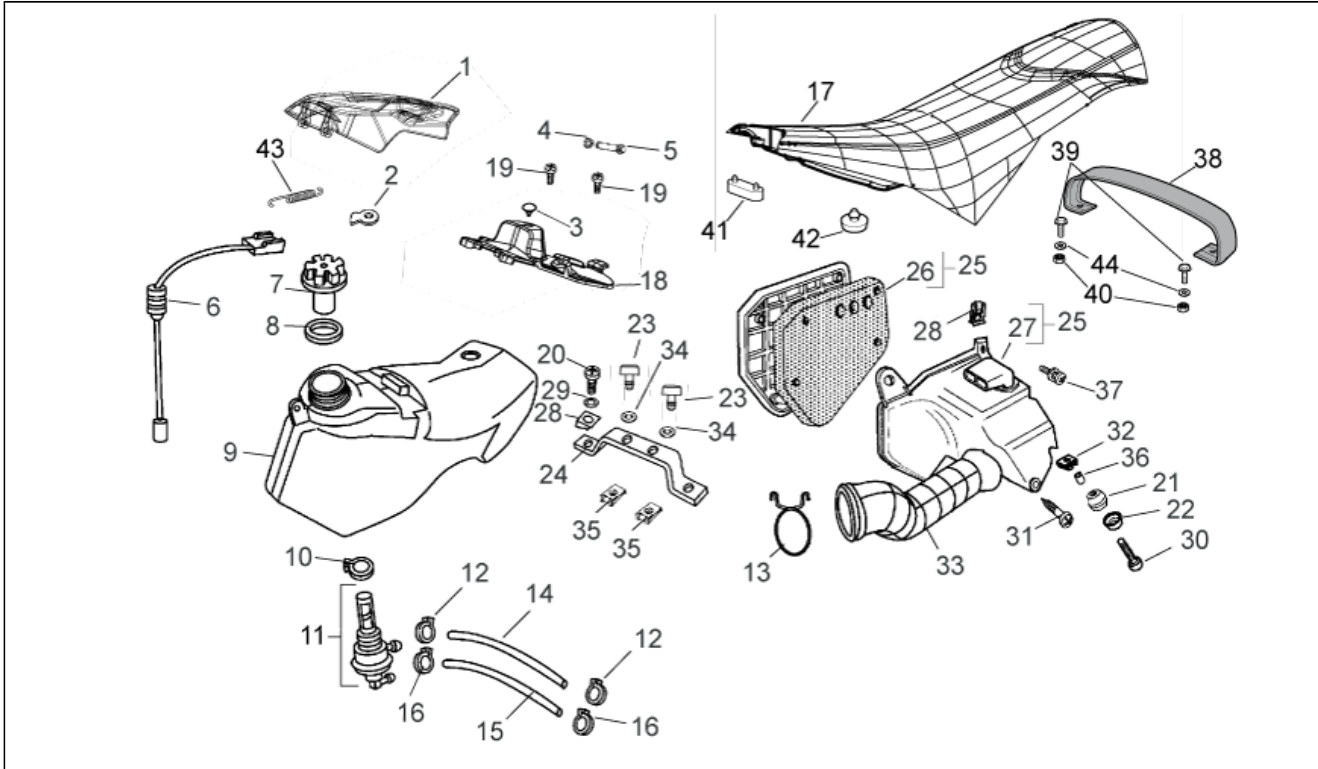
Pos.	Code	Description	Q.ty	Variants
1	86137202WGA	Swing arm	1	<b>year:</b> 2009[9] <b>Color:</b> Off Black 2009 (s.t.893828)[off.b], Off White 2009 (s.t.893927)[off.w]
1	862577	Swing arm	1	<b>year:</b> 2006[6] <b>Color:</b> Red Lion 2006 (s.t.85433)[red]
1	862577	Swing arm	1	<b>year:</b> 2008[8] <b>Color:</b> Off Black 2008 (s.t.860432)[black], Off White 2008 (s.t.860431)[white]
2	00H01304202	Rear swing arm pin	1	
3	00003112322	Washer	2	
4	00002503230	Bush	2	
5	00H00301401	Spacer	2	
6	00D01300192	Washer	2	
7	00262120032	Nut	1	
8	00H01803331	Chain guide plate	1	
9	00011141300	Screw 4,8X13	4	
10	00000031050	Washer D5	4	
11	00H01508181	Chain cover	1	
12	00D01501371	Nut D6	1	
13	00012061200	Screw 6MX100X12	1	
14	00H05900021	Screw 6M100X16	1	
15	00D01200171	Washer D6	1	
16	00011041300	Screw 4,8X13	1	
17	00H01501811	Fairlead	1	
18	86133R	Chain guide	1	
19	00012061000	Screw m6x10	4	
20	00H00300912	Screw 12X45	1	
21	00023112000	Nut 12MX175	2	
22	00H01508191	Shock absorber	1	

<b>Assembly</b>	FRAME
<b>Code</b>	28.03
<b>Description</b>	Swing arm
<b>Revision</b>	1



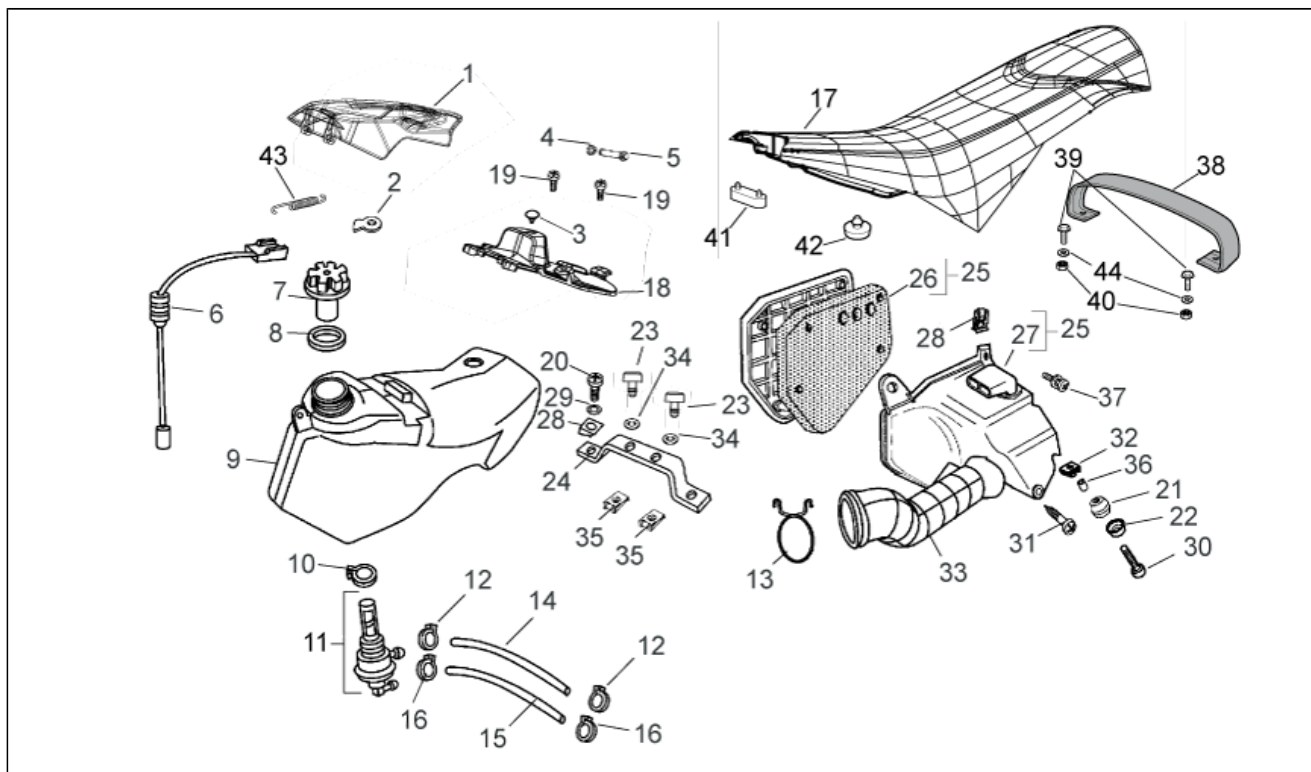
Pos.	Code	Description	Q.ty	Variants
23	00H00303892	Screw	1	
24	00003115422	Washer	4	

<b>Assembly</b>	FRAME
<b>Code</b>	28.04
<b>Description</b>	Fuel tank
<b>Revision</b>	1



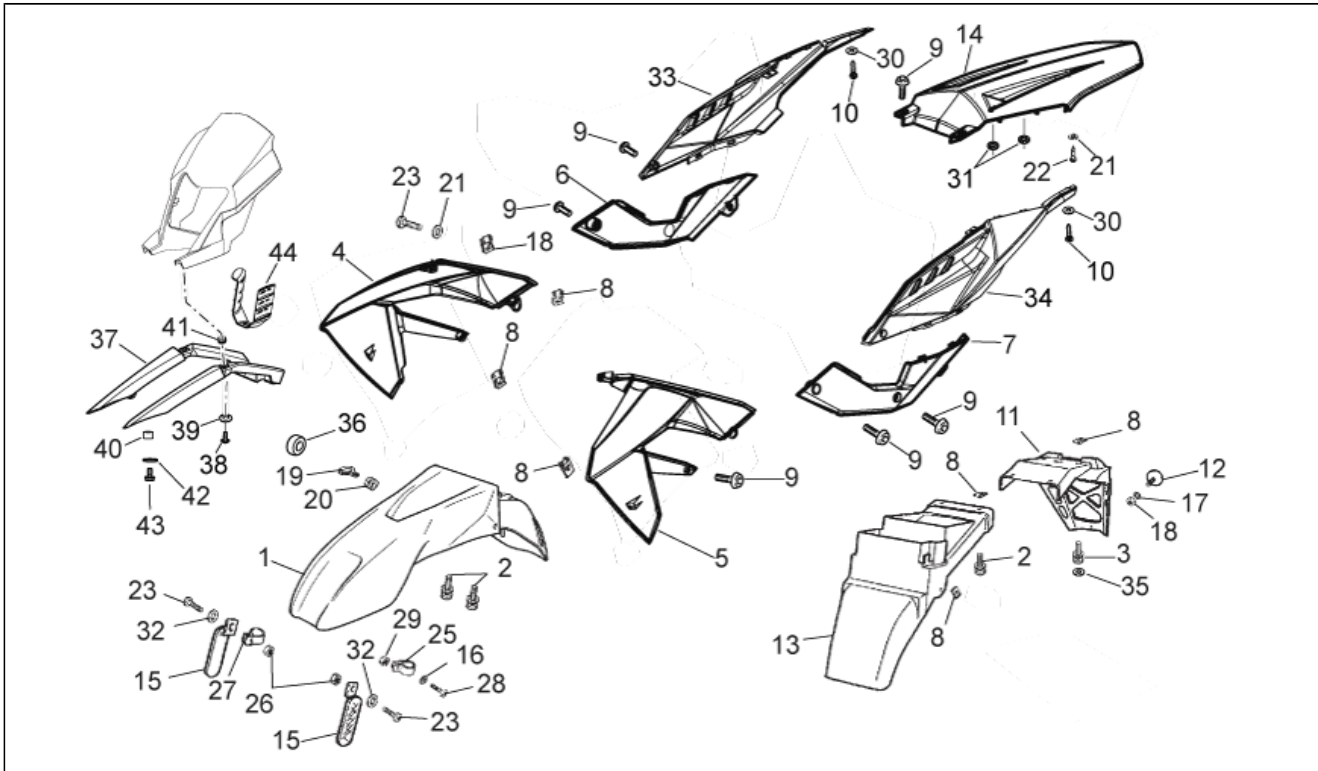
Pos.	Code	Description	Q.ty	Variants
1	861081	Cover	1	
2	00H00604141	Lever	1	
3	AP8120001	Rubber spacer	1	
4	00047030400	Stop ring D4	2	
5	00H06303752	Pin	1	
6	00H04302181	Fuel level sensor	1	<b>Technical Specifications:</b> until frame VTHSR2D1A7H379323[T1]
6	864489	Fuel level sensor	1	<b>Technical Specifications:</b> from frame VTHSR2D1A7H379324[T2]
7	00G00401131	Oil filler cap	1	
8	00F00400771	Washer	1	
9	00H00406011	Fuel tank	1	
10	00G00400501	Hose clamp	1	
11	00G00400181	Fuel cock	1	
12	00D03700131	Hose clamp	1	
13	00G03204272	Spring	1	
14	00F00403321	Pipe	1	
15	00H06201061	Pipe	1	
16	00F03710131	Hose clamp	2	
17	8610500002	Saddle	2	<b>year:</b> 2008[8] <b>Color:</b> Off Black 2008 (s.t.860432)[black], Off White 2008 (s.t.860431)[white]
17	8610500003	Saddle	2	<b>year:</b> 2009[9]
17	86105000W04	Saddle	2	<b>year:</b> 2006[6] <b>Color:</b> Red Lion 2006 (s.t.85433)[red]
18	861370	Support plate	1	
19	00011051401	Self-tap screw 5X14	2	
20	00012061200	Screw 6MX100X12	2	
21	00008915020	Grommet	1	

<b>Assembly</b>	FRAME
<b>Code</b>	28.04
<b>Description</b>	Fuel tank
<b>Revision</b>	1



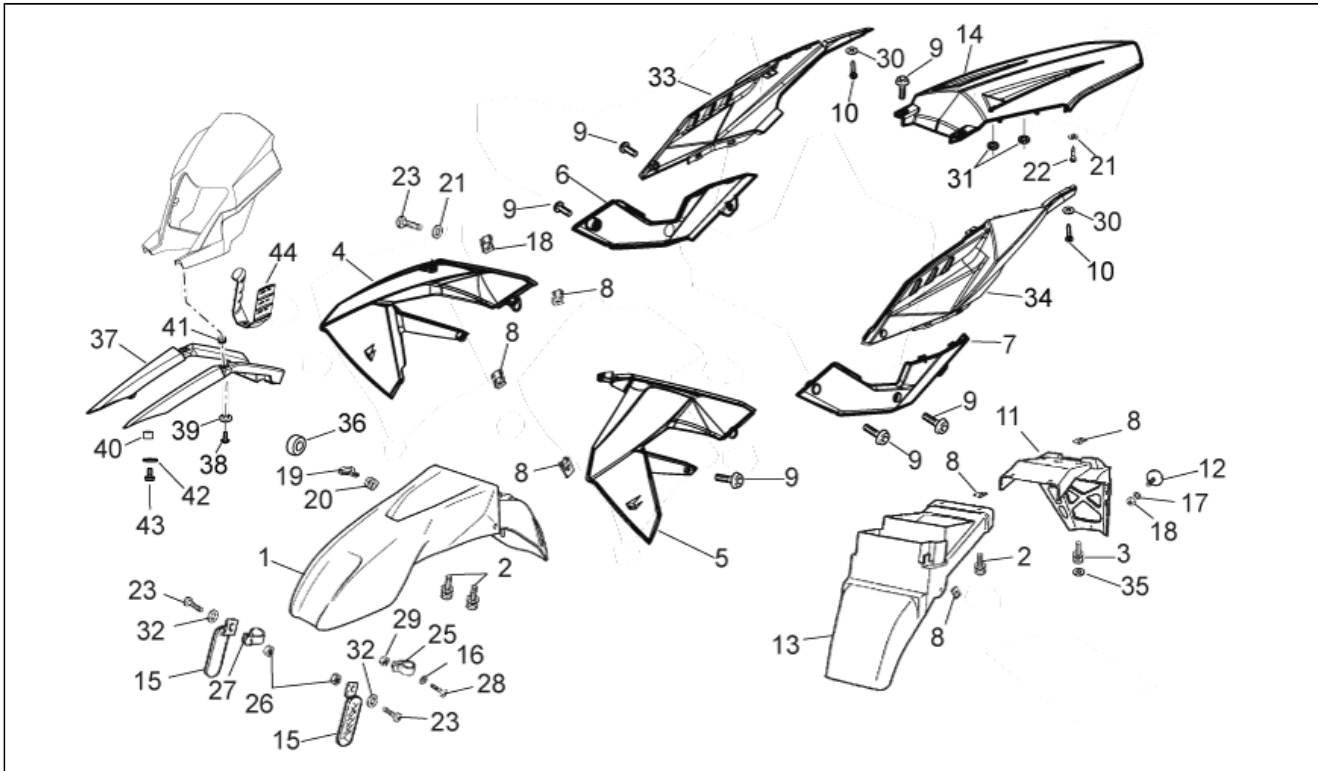
Pos.	Code	Description	Q.ty	Variants
22	00D01500552	Cup	2	
23	861417	Screw	2	
24	00H00404051	Tank support	1	
25	00H01809541	Air box	1	
26	00H03209251	Air filter	1	
27	00H03208491	Pipe	1	
28	00D01501371	Nut D6	2	
29	00D01200171	Washer D6	2	
30	00012161600	Screw 6M100X16	1	
31	00073481964	Screw 4,8X19	1	
32	00D01501371	Nut D6	1	
33	00H03207261	Pipe	1	
34	00D01200171	Washer D6	2	
35	00G04401462	Nut D5	2	
36	00D01500471	Ring nut	1	
37	00H05900021	Screw 6M100X16	1	
38	861369	Pillion seat strap	1	year: 2006[6] Color:Red Lion 2006 (s.t.85433)[red]
38	8613690002	Pillion seat strap	1	year: 2008[8] Color:Off Black 2008 (s.t.860432)[black], Off White 2008 (s.t.860431)[white]
38	8613690002	Pillion seat strap	1	year:2009[9]
39	00002082021	Screw 8M125x20	2	
40	00000023080	Nut	2	
41	AP8126701	Saddle rubber	2	
42	AP8126702	Rubber spacer	2	
43	00H06303762	Spring	1	
44	00402080001	Washer D8	2	

<b>Assembly</b>	FRAME
<b>Code</b>	28.05
<b>Description</b>	Body
<b>Revision</b>	1



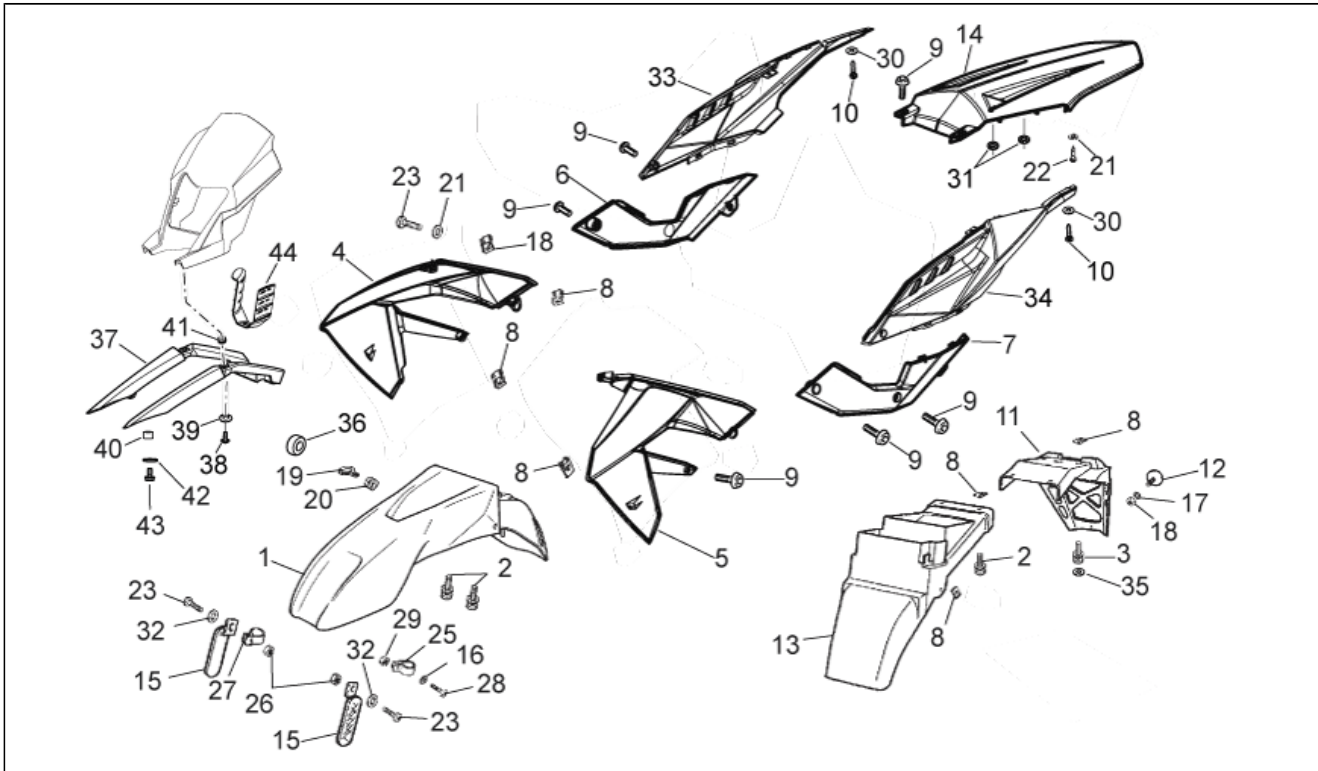
Pos.	Code	Description	Q.ty	Variants
1	861087	Front mudguard	1	year: 2006[6] Color: Red Lion 2006 (s.t.85433)[red] Technical Specifications:Motard version[sx]
1	86108700W0R	Front mudguard	1	year: 2008[8] Color: Off Black 2008 (s.t.860432)[black] Technical Specifications:Motard version[sx]
1	86177200W0N	Front mudguard	1	year: 2006[6] Color: Red Lion 2006 (s.t.85433)[red] Technical Specifications:Enduro version[rx]
1	86177200W0R	Front mudguard	1	year: 2008[8] Color: Off White 2008 (s.t.860431)[white] Technical Specifications:Enduro version[rx]
1	86632400W0R	Front mudguard	1	year:2009[9], 2010[A]
2	00H05900021	Screw 6M100X16	6	
3	00012061200	Screw 6MX100X12	2	
4	86189810W2R	RH front side panel	1	year: 2006[6] Color:Red Lion 2006 (s.t.85433)[red]
4	86507100W0N	RH front side panel	1	year: 2008[8] Color:Off Black 2008 (s.t.860432)[black], Off White 2008 (s.t.860431)[white]
4	86632000W0N	RH front side panel	1	year: 2009[9] Color: Off White 2009 (s.t.893927)[off.w] Technical Specifications:Enduro version[rx]
4	86632900W0N	RH front side panel	1	year: 2009[9] Color: Off Black 2009 (s.t.893828)[off.b] Technical Specifications:Motard version[sx]
4	86678300W0N	RH front side panel	1	year: 2010[A] Color: Off White 2010 (s.t. 896072)[w10] Technical Specifications:Enduro version[rx]
4	86678500W0N	RH front side panel	1	year: 2010[A] Color: Off Black 2010 (s.t.896073)[b10] Technical Specifications:Motard version[sx]
5	86189910W2R	LH front side panel	1	year: 2006[6]

<b>Assembly</b>	FRAME
<b>Code</b>	28.05
<b>Description</b>	Body
<b>Revision</b>	1



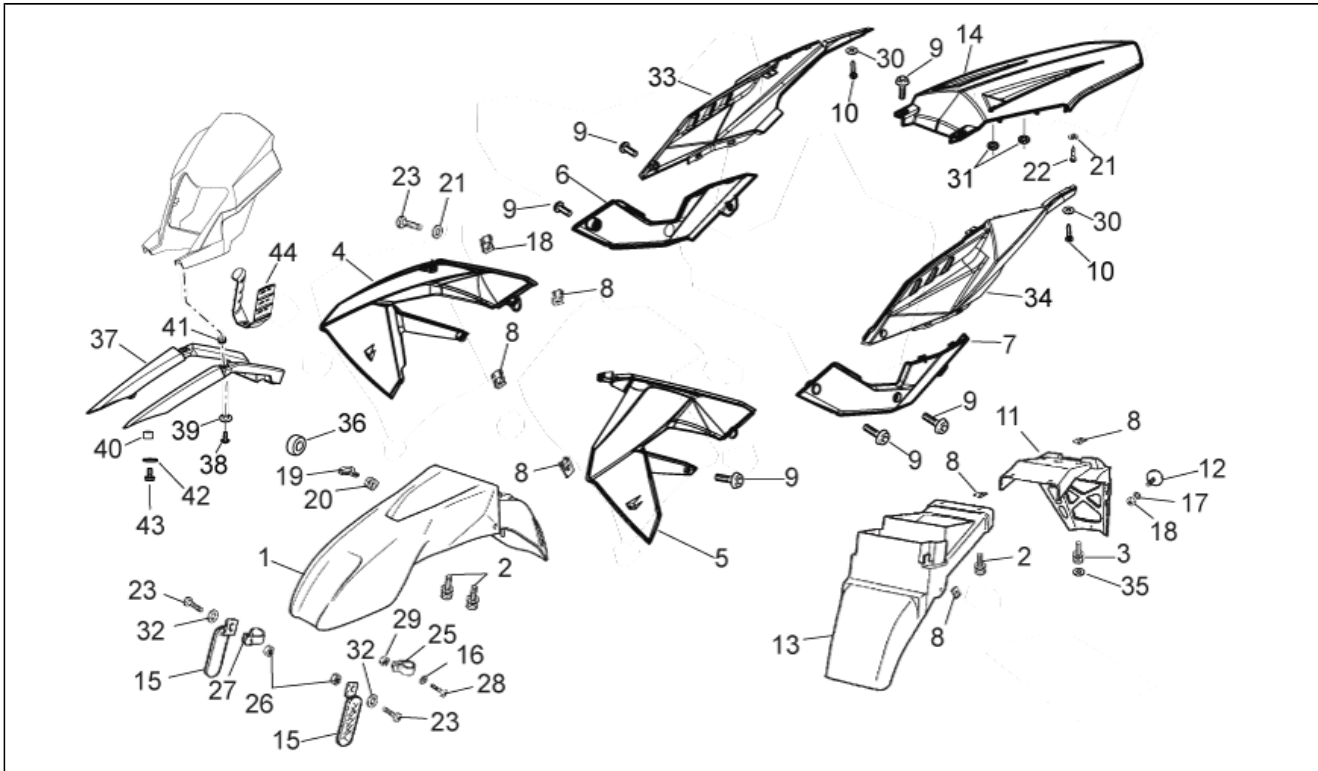
Pos.	Code	Description	Q.ty	Variants
				<b>Color:</b> Red Lion 2006 (s.t.85433)[red]
5	86507200W0N	LH front side panel	1	<b>year:</b> 2008[8] <b>Color:</b> Off Black 2008 (s.t.860432)[black], Off White 2008 (s.t.860431)[white]
5	86632100W0N	LH front side panel	1	<b>year:</b> 2009[9] <b>Color:</b> Off White 2009 (s.t.893927)[off.w] <b>Technical Specifications:</b> Enduro version[rx]
5	86633000W0N	LH front side panel	1	<b>year:</b> 2009[9] <b>Color:</b> Off Black 2009 (s.t.893828)[off.b] <b>Technical Specifications:</b> Motard version[sx]
5	86678400W0N	LH front side panel	1	<b>year:</b> 2010[A] <b>Color:</b> Off White 2010 (s.t. 896072)[w10] <b>Technical Specifications:</b> Enduro version[rx]
5	86678600W0N	LH front side panel	1	<b>year:</b> 2010[A] <b>Color:</b> Off Black 2010 (s.t.896073)[b10] <b>Technical Specifications:</b> Motard version[sx]
6	861082	RH saddle sup cover	1	<b>year:</b> 2006[6] <b>Color:</b> Red Lion 2006 (s.t.85433)[red]
6	86108200W0N	RH saddle sup cover	1	<b>year:</b> 2009[9]
6	86517800W0N	RH saddle sup cover	1	<b>year:</b> 2008[8] <b>Color:</b> Off Black 2008 (s.t.860432)[black], Off White 2008 (s.t.860431)[white]
7	861083	LH saddle sup cover	1	<b>year:</b> 2006[6] <b>Color:</b> Red Lion 2006 (s.t.85433)[red]
7	86108300W0N	LH saddle sup cover	1	<b>year:</b> 2009[9]
7	86517900W0N	LH saddle sup cover	1	<b>year:</b> 2008[8] <b>Color:</b> Off Black 2008 (s.t.860432)[black]
8	254485	Clip M6	10	
9	00H01501701	Screw	10	
10	AP8150420	Self-tapping screw *	2	
11	00H00715341	Rear mudguard Support	1	<b>year:</b> 2006[6], 2008[8]
11	894118	Number plate holder	1	<b>year:</b> 2009[9]

<b>Assembly</b>	FRAME
<b>Code</b>	28.05
<b>Description</b>	Body
<b>Revision</b>	1



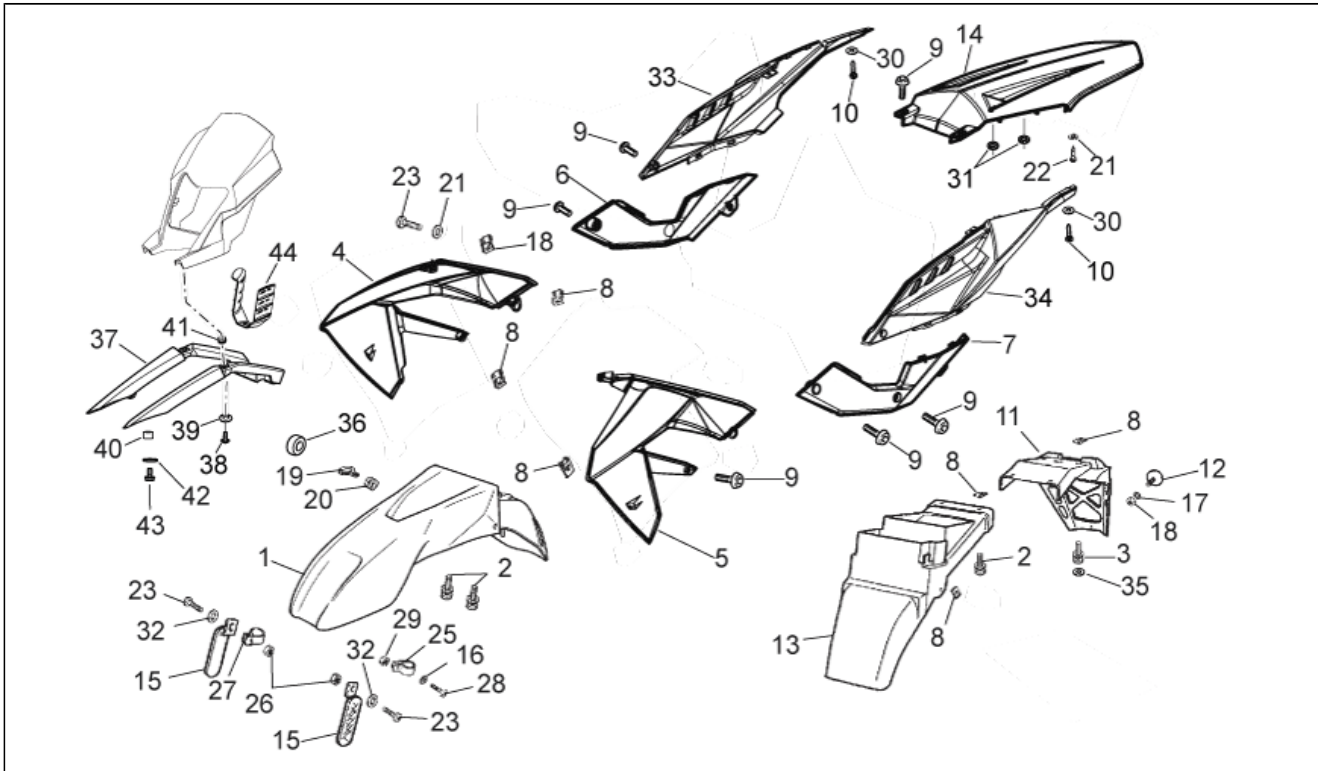
Pos.	Code	Description	Q.ty	Variants
12	00K05110651	Reflector	2	
13	00H00705121	Rear mudguard	1	
14	86190210W2R	Rear fairing	1	year:2006[6]
14	86507600W0B	Rear fairing	1	year:2008[8]
14	86507600W0B	Rear fairing	1	year: 2009[9] Color: Off White 2009 (s.t.893927)[off.w] Technical Specifications:Enduro version[rx]
14	86507600W0N	Rear fairing	1	year: 2009[9] Color: Off Black 2009 (s.t.893828)[off.b] Technical Specifications:Motard version[sx]
15	00H01802081	Reflector	2	
16	00402060001	Washer D6 DIN125 AZNB	1	
17	00000031040	Washer D4	2	
18	00000021040	Nut	2	
19	00H02201591	Protection	2	
20	00D01500021	Rubber spacer	2	
21	00000031050	Washer D5	2	
22	00011051401	Self-tap screw 5X14	2	
23	00002052051	Screw	2	
24	00G04401462	Nut D5	4	
25	00H01501811	Fairlead	1	
26	00000023051	Nut 5M80	2	
27	00H01501811	Fairlead	1	
28	00002062511	Screw 6M100X25	2	
29	00000023060	Nut M6100	2	
30	00000031050	Washer D5	2	
31	AP8150450	Washer for shafts D5	4	
32	00031105000	Washer D5	2	
33	86108400W0B	RH rear panel	1	year: 2009[9]

<b>Assembly</b>	FRAME
<b>Code</b>	28.05
<b>Description</b>	Body
<b>Revision</b>	1



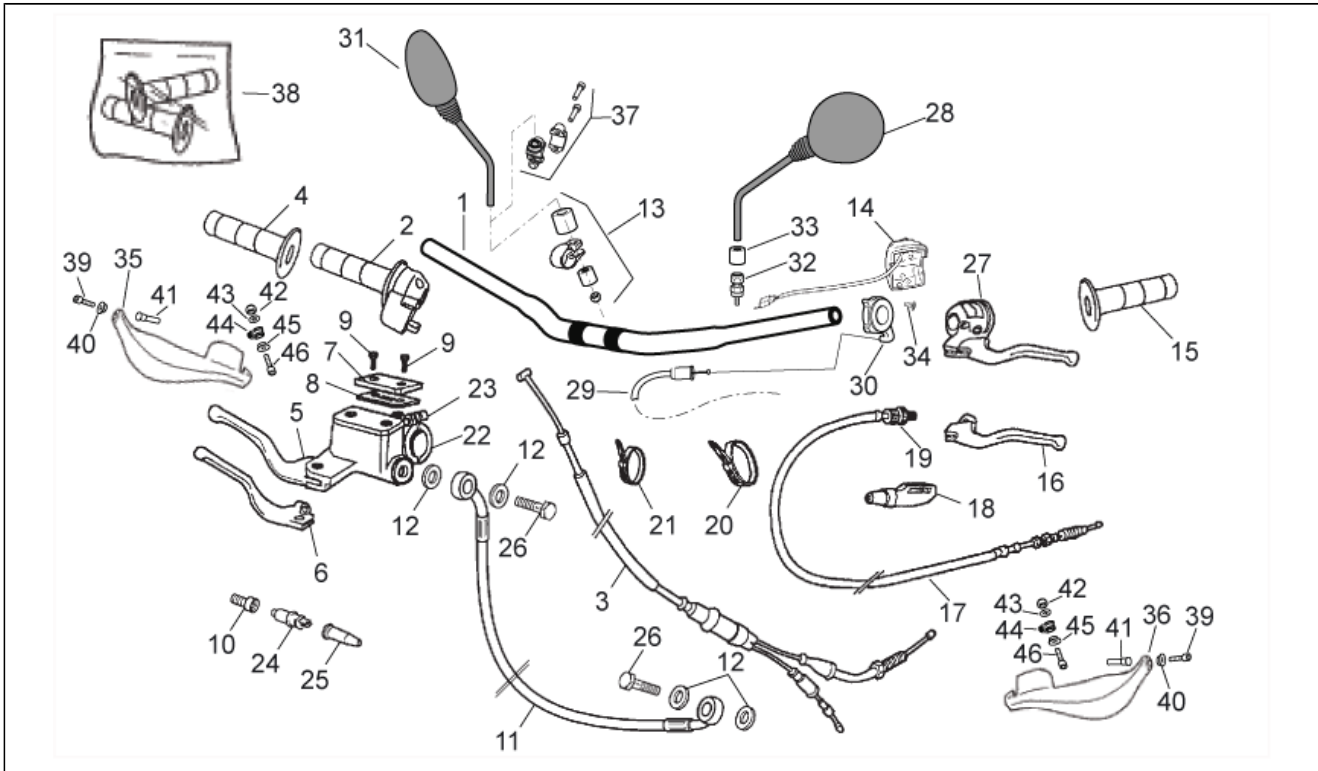
Pos.	Code	Description	Q.ty	Variants
				<b>Color:</b> Off White 2009 (s.t.893927)[off.w] <b>Technical Specifications:</b> Without decals applied[nd], Enduro version[rx]
33	86108400W0N	RH rear panel	1	<b>year:</b> 2009[9] <b>Color:</b> Off Black 2009 (s.t.893828)[off.b] <b>Technical Specifications:</b> Without decals applied[nd], Motard version[sx]
33	86190010W2R	RH rear panel	1	<b>year:</b> 2006[6] <b>Color:</b> Red Lion 2006 (s.t.85433)[red] <b>Technical Specifications:</b> DERBI/MARZOCCHI fork[d]
33	86507400W0B	RH rear panel	1	<b>year:</b> 2008[8] <b>Color:</b> Off White 2008 (s.t.860431)[white] <b>Technical Specifications:</b> DERBI/MARZOCCHI fork[d]
33	86507400W0N	RH rear panel	1	<b>year:</b> 2008[8] <b>Color:</b> Off Black 2008 (s.t.860432)[black] <b>Technical Specifications:</b> DERBI/MARZOCCHI fork[d]
34	86108500W0B	LH rear panel	1	<b>year:</b> 2009[9] <b>Color:</b> Off White 2009 (s.t.893927)[off.w] <b>Technical Specifications:</b> Without decals applied[nd], Enduro version[rx]
34	86108500W0N	LH rear panel	1	<b>year:</b> 2009[9] <b>Color:</b> Off Black 2009 (s.t.893828)[off.b] <b>Technical Specifications:</b> Without decals applied[nd], Motard version[sx]
34	86190110W2R	LH rear panel	1	<b>year:</b> 2006[6] <b>Color:</b> Red Lion 2006 (s.t.85433)[red] <b>Technical Specifications:</b> DERBI/MARZOCCHI fork[d]
34	86507500W0B	LH rear panel	1	<b>year:</b> 2008[8] <b>Color:</b> Off White 2008 (s.t.860431)[white] <b>Technical Specifications:</b> DERBI/MARZOCCHI fork[d]
34	86507500W0N	LH rear panel	1	<b>year:</b> 2008[8] <b>Color:</b> Off Black 2008 (s.t.860432)[black], Off White 2008 (s.t.860431)[white] <b>Technical Specifications:</b> DERBI/MARZOCCHI fork[d]

<b>Assembly</b>	FRAME
<b>Code</b>	28.05
<b>Description</b>	Body
<b>Revision</b>	1



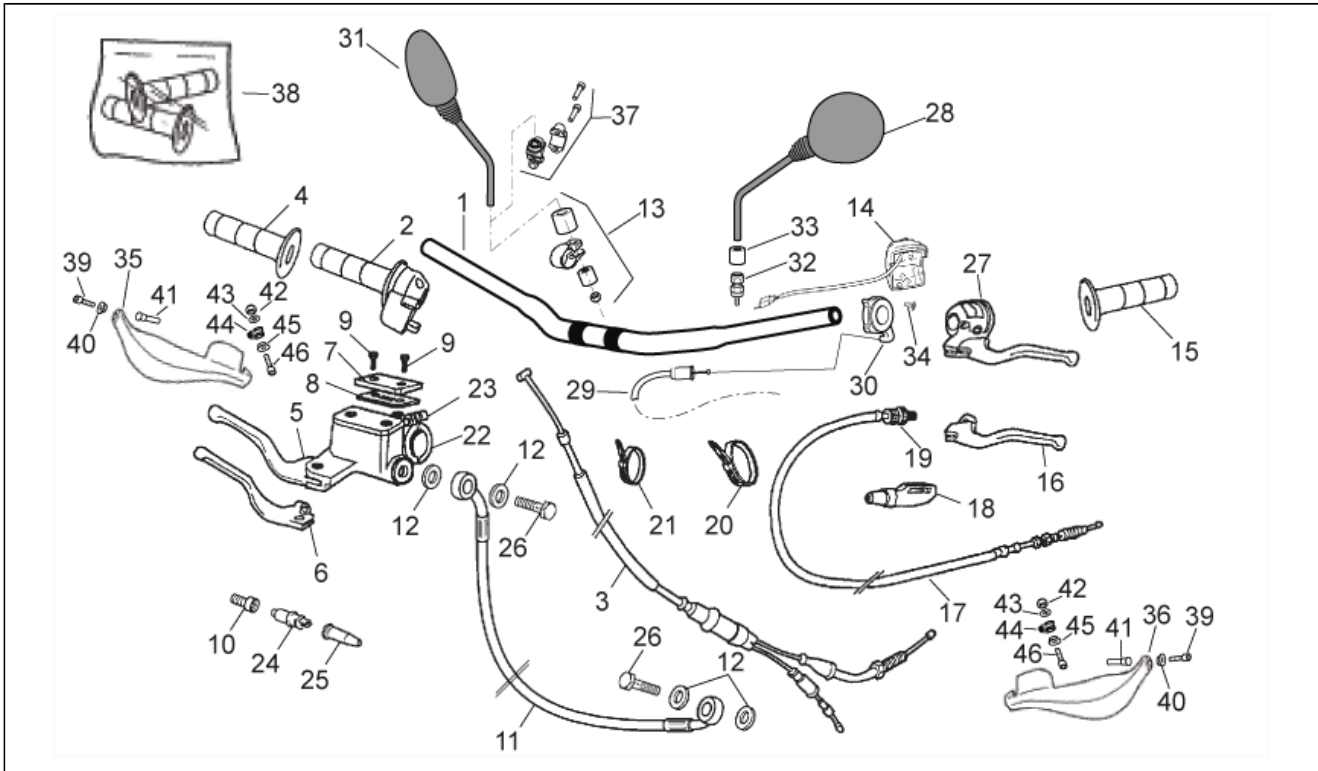
Pos.	Code	Description	Q.ty	Variants
35	00D01200171	Washer D6	2	
36	862449	Ring nut	4	<b>Technical Specifications:</b> Motard version[sx]
37	89411900XB2	Tie rod	2	<b>year:</b> 2009[9] <b>Color:</b> Off White 2009 (s.t.893927)[off.w] <b>Technical Specifications:</b> Enduro version[rx]
37	89411900XN4	Tie rod	2	<b>year:</b> 2009[9] <b>Color:</b> Off Black 2009 (s.t.893828)[off.b] <b>Technical Specifications:</b> Motard version[sx]
38	AP8152302	Screw w/ flange M5x12	2	<b>year:</b> 2009[9]
39	AP9100053	Bush d.10-h.3,5	2	<b>year:</b> 2009[9]
40	AP8121032	Bush	2	<b>year:</b> 2009[9]
41	00D01010821	Silent-block	2	<b>year:</b> 2009[9]
42	00H03800722	Washer	2	<b>year:</b> 2009[9]
43	AP8152329	Phillips screw, SWP M5X20	2	<b>year:</b> 2009[9]
44	894122	Wiring cover	1	<b>year:</b> 2009[9]

<b>Assembly</b>	FRAME
<b>Code</b>	28.06
<b>Description</b>	Handlebar - Controls
<b>Revision</b>	1



Pos.	Code	Description	Q.ty	Variants
1	8664530001	Handlebar	1	year: 2009[9] Technical Specifications:Motard version[sx]
1	R861012	Handlebar	1	year: 2009[9] Technical Specifications:Enduro version[rx]
1	R861012	Handlebar	1	year:2006[6], 2008[8]
2	00H02101621	Throttle	1	year:2006[6], 2008[8]
2	866489	Throttle	1	year:2009[9]
3	00H00931171	Throttle cable	1	
4	00H00930091	RH hand grip	1	year:2006[6], 2008[8]
5	00H02105082	Brake m.cyl.	1	
6	00H00906203	Brake lever	1	
7	00H02100191	Cover	1	
8	00H02100861	Gasket	1	
9	00014041200	Screw 4M80X12	2	
10	00H00900871	Bushing	1	
11	00H00919751	Brake hose	1	year:2006[6], 2008[8]
11	894795	Brake hose	1	year:2009[9]
12	00006321040	Washer	2	
13	00H02200681	Fix kit	1	year:2006[6], 2008[8]
14	00H02305381	Switch	1	
15	00H00930071	LH hand grip	1	year:2006[6], 2008[8]
16	00H00903291	Clutch lever	1	
17	00H00917301	Clutch cable	1	
18	00H02101011	Protection	1	
19	00F00920551	Clutch cable register	1	
20	00F00900531	Hose clamp 290X4,8	1	
21	00D00900531	Hose clamp	1	
22	00H02100901	Hose clamp	1	

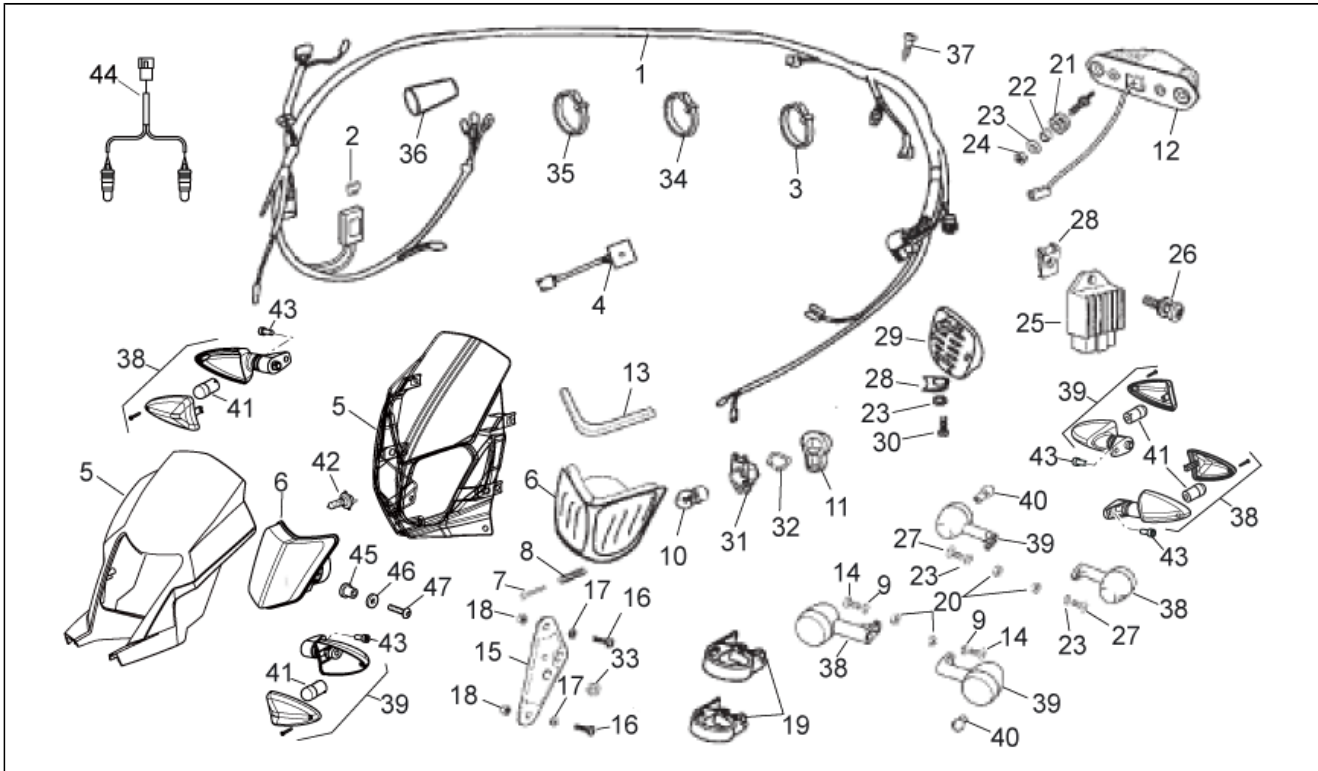
<b>Assembly</b>	FRAME
<b>Code</b>	28.06
<b>Description</b>	Handlebar - Controls
<b>Revision</b>	1



Pos.	Code	Description	Q.ty	Variants
23	00002051251	Screw	1	
24	00D01000701	Brake light switch	1	
25	00005010760	Cap	1	
26	00006309260	Oil pipe screw	1	
27	00H02105612	Support	1	
28	862038	LH rearview mirror	1	year: 2006[6], 2008[8] Country:I, F, E, NL[EU]
28	894116	LH rearview mirror	1	year: 2009[9] Country:I, F, E, NL[EU]
29	861305	Choke cable	1	
30	AP8212529	Choke control	1	
31	00H02207671	RH rearview mirror	1	year: 2006[6], 2008[8] Country:Great Britain[UK]
31	894117	RH rearview mirror	1	year: 2009[9] Country:Great Britain[UK]
32	862039	Nut with caliper, LH side	1	Country:I, F, E, NL[EU]
33	AP8220462	Rubber bellows	1	Country:I, F, E, NL[EU]
34	861621	Screw 2,9x9,5	1	
35	20H02102011	RH handguard	1	
36	20H02102831	LH handguard	1	
37	894703	Fix kit	1	year: 2009[9] Country:Great Britain[UK]
38	00H00906081	Handgrip - pair	1	year:2009[9]
39	00002085531	Screw 8M 125x55	2	year:2009[9]
40	00H02100351	Bush	2	year:2009[9]
41	00H00900841	Slide piece	2	year: 2009[9] Technical Specifications:Motard version[sx]
41	866729	Slide piece	2	year: 2009[9] Technical Specifications:Enduro version[rx]
42	00000023060	Nut M6100	2	year:2009[9]

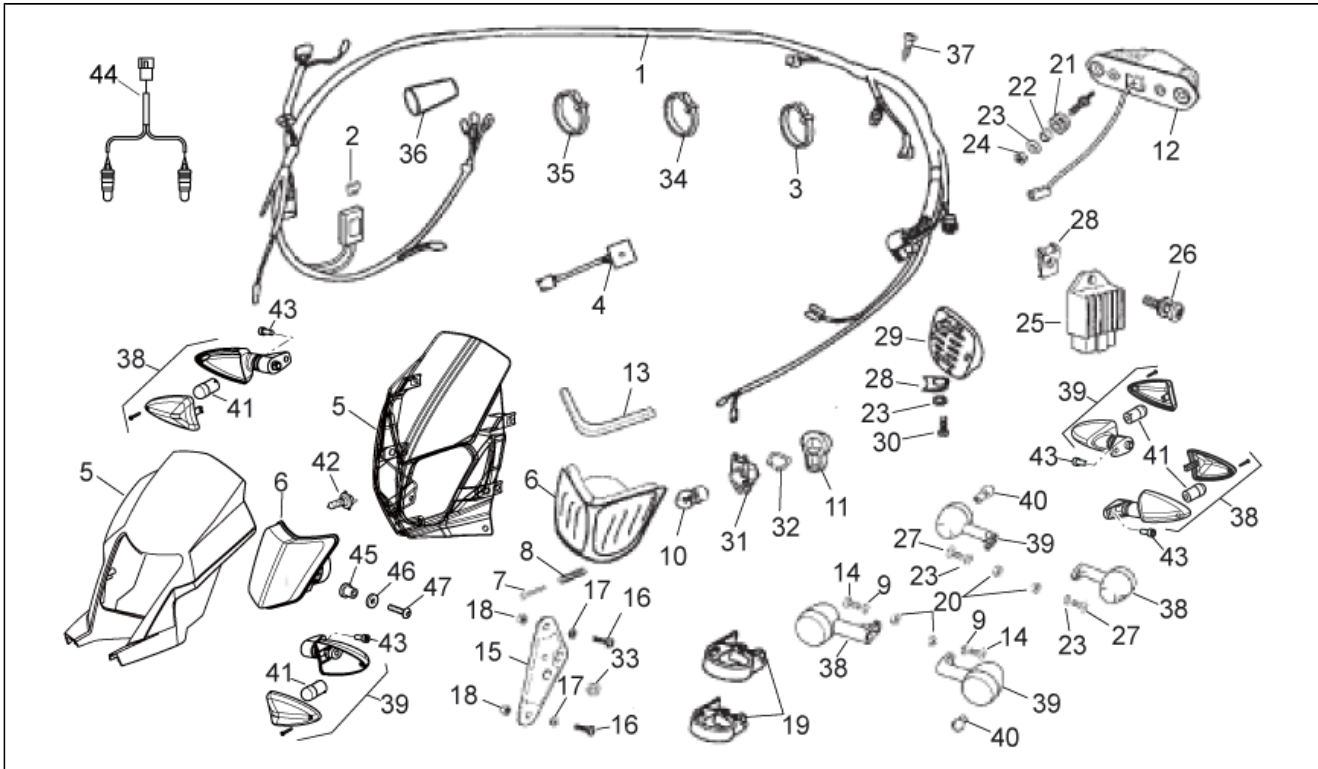


<b>Assembly</b>	FRAME
<b>Code</b>	28.07
<b>Description</b>	Electrical system
<b>Revision</b>	1



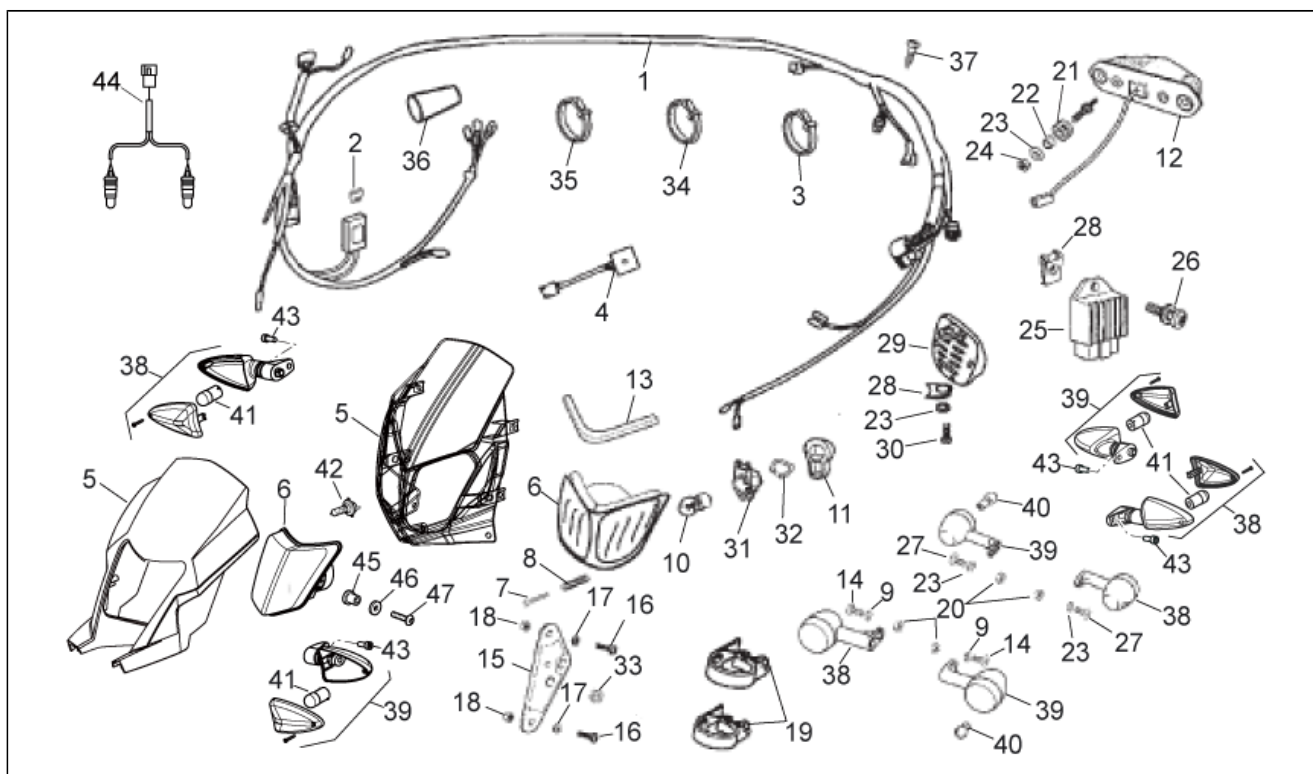
Pos.	Code	Description	Q.ty	Variants
1	86107R	Electrical system	1	year:2006[6], 2008[8]
1	894115	Electrical system	1	year:2009[9]
2	00H01001911	Fuse 7,5A	1	
3	00D00900531	Hose clamp	1	
4	00H05700481	Flasher unit	1	
5	86190310W0N	Front headlight cov.	1	year:2006[6]
5	86507300W0N	Front headlight cov.	1	year: 2008[8] Technical Specifications:Enduro version[rx]
5	86508000W0N	Front headlight cov.	1	year: 2008[8] Technical Specifications:Motard version[sx]
5	86632600XB2	Front headlight cov.	1	year: 2009[9] Technical Specifications:Enduro version[rx]
5	86633400XN4	Front headlight cov.	1	year: 2009[9] Technical Specifications:Motard version[sx]
6	855038	Headlight	1	year: 2009[9] Country:I, F, E, NL[EU]
6	859702	Headlight	1	year: 2009[9] Country:Great Britain[UK]
6	861076	Headlight	1	year:2006[6], 2008[8]
7	00012045000	Screw	1	
8	00H02304501	Spring	1	
9	00031106000	Washer D6	2	
10	00H01000131	Lamp 12V 35W/35W	1	
11	00H05703141	Protection	1	
12	00H01009321	Taillight	1	
13	00H05700101	Gasket	1	
14	00008063000	Screw 6M100X30	2	
15	00H01502741	Support	2	year:2006[6], 2008[8]
16	00012051200	Screw 5M80X12	1	

<b>Assembly</b>	FRAME
<b>Code</b>	28.07
<b>Description</b>	Electrical system
<b>Revision</b>	1



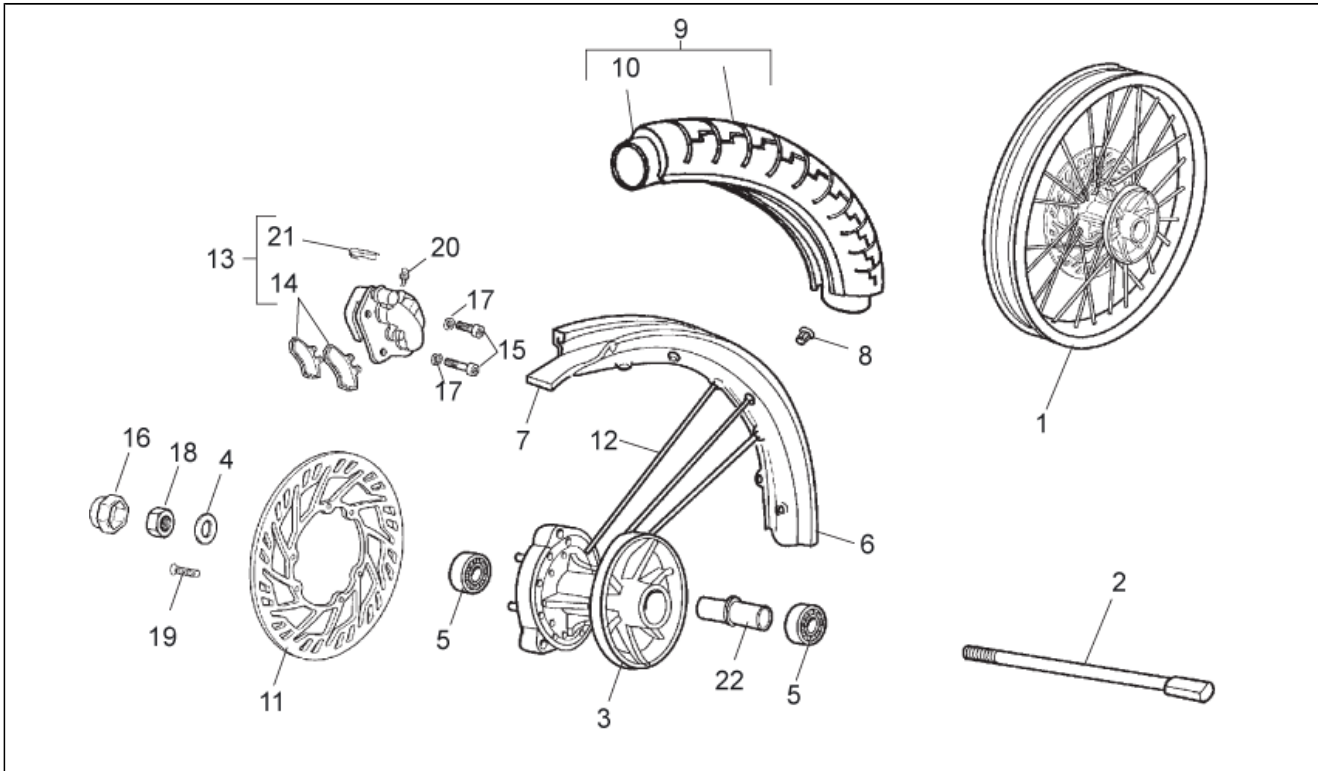
Pos.	Code	Description	Q.ty	Variants
17	847181	Washer	4	
18	00026005000	Nut 5M80	4	
19	00H04603841	Hose clamp	4	
20	00000023060	Nut M6100	4	
21	00008915020	Grommet	2	
22	00D01500471	Ring nut	2	
23	00D01200171	Washer D6	2	
24	00000023060	Nut M6100	4	
25	864660	Voltage regulator	1	
26	00D05900081	Screw 6M100X16	1	
27	00008061500	Screw	2	
28	00D01501371	Nut D6	1	
29	00H01005311	Horn	1	
30	00012061200	Screw 6MX100X12	1	
31	00003710110	Lampholder	1	
32	00003710120	Spring	1	
33	00H05701061	Rubber spacer	1	
34	00F00900531	Hose clamp 290X4,8	1	
35	00D00900531	Hose clamp	1	
36	00H02300961	Protection	1	
37	00011061300	Screw	1	
38	00H01704311	RH front turn indicator	2	year:2006[6], 2008[8]
38	AP8127783	RH front/LH rear turn indic.	2	year:2009[9]
39	00H01706021	LH front turn indicator	2	year:2006[6], 2008[8]
39	AP8127784	LH front/RH rear turn indic.	2	year:2009[9]
40	00H01701011	Lamp	4	year:2006[6], 2008[8]
41	AP8127489	Lamp RY10W 12V	4	year:2009[9]
42	231215	Lamp	1	year:2009[9]

<b>Assembly</b>	FRAME
<b>Code</b>	28.07
<b>Description</b>	Electrical system
<b>Revision</b>	1



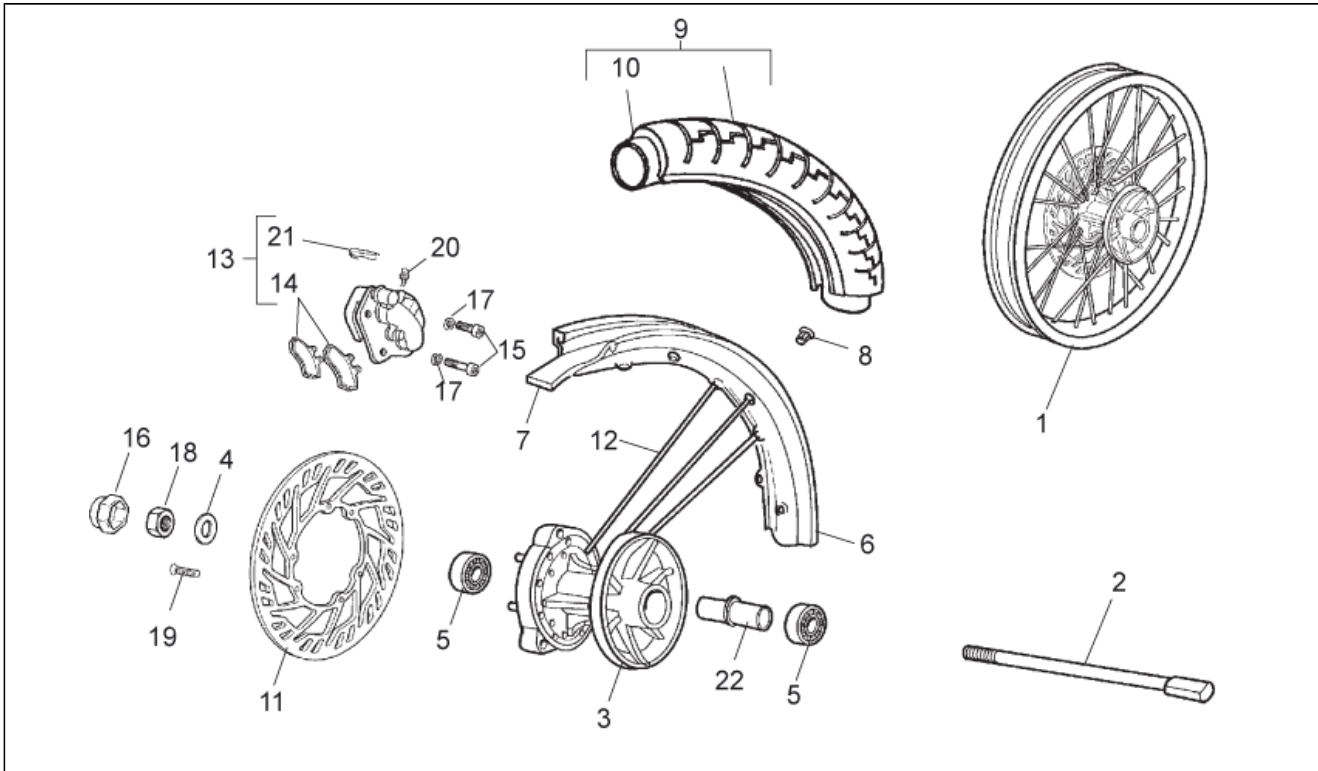
Pos.	Code	Description	Q.ty	Variants
43	AP8150044	Hex socket screw M6x20*	4	year:2009[9]
44	856610	Town lights switch wiring	1	year:2009[9]
45	AP8121991	Bush	2	year:2009[9]
46	AP8152181	Washer 6,4x15x1	2	year:2009[9]
47	AP8152137	Hex socket screw M6x20*	2	year:2009[9]

<b>Assembly</b>	FRAME
<b>Code</b>	28.08
<b>Description</b>	Front wheel
<b>Revision</b>	1



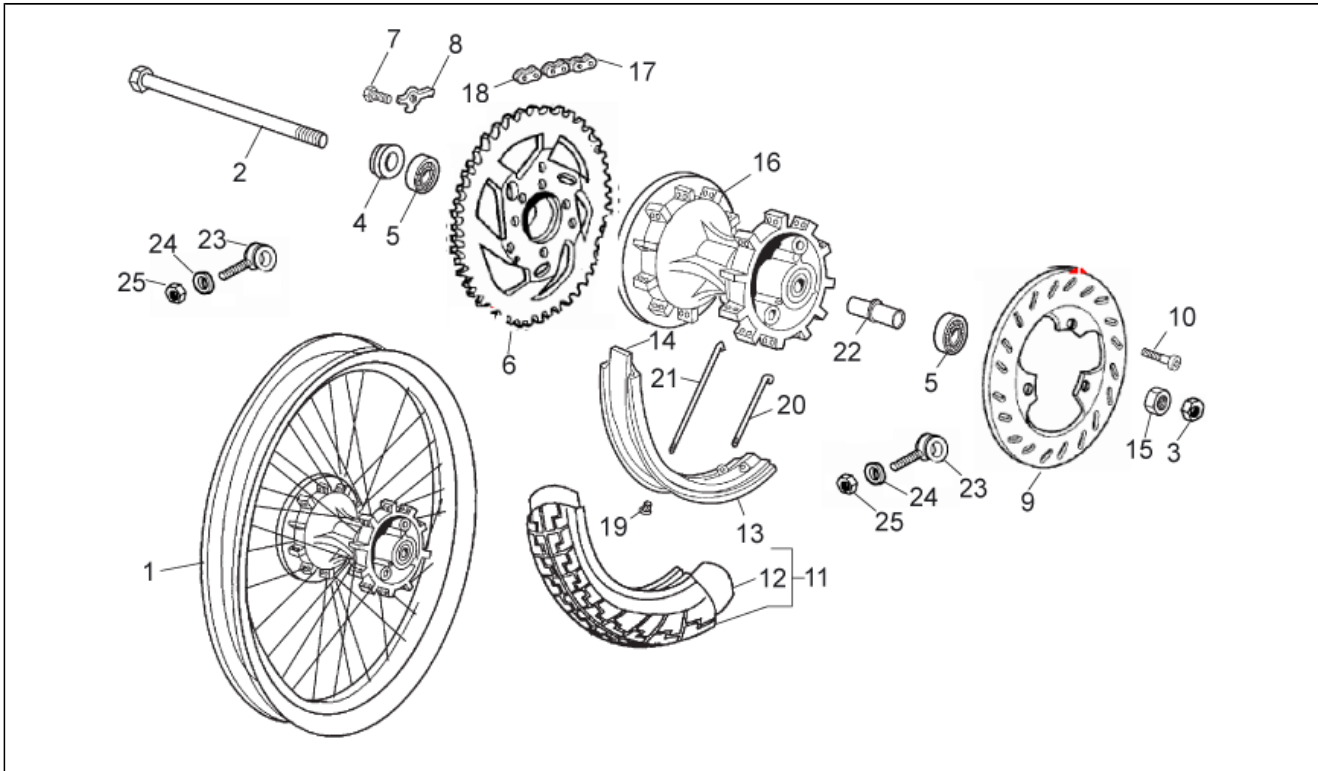
Pos.	Code	Description	Q.ty	Variants
1	863469	Front wheel	1	year: 2006[6], 2008[8] <b>Technical Specifications:</b> Enduro version[rx]
1	863470	Front wheel	1	year: 2006[6], 2008[8] <b>Technical Specifications:</b> Motard version[sx]
1	866283	Front wheel	1	year: 2009[9] <b>Technical Specifications:</b> Enduro version[rx]
1	866285	Front wheel	1	year: 2009[9] <b>Technical Specifications:</b> Motard version[sx]
2	00H01202271	Pin	1	
3	00H01204711	Front hub	1	
4	00032015000	Washer	1	
5	00058020200	Bearing	2	
6	00H01209081	Front wheel	1	year: 2009[9] <b>Technical Specifications:</b> Enduro version[rx]
6	00H01209082	Front wheel	1	year: 2006[6], 2008[8] <b>Technical Specifications:</b> Enduro version[rx]
6	00H01211082	Front wheel	1	year: 2009[9] <b>Technical Specifications:</b> Motard version[sx]
6	861017	Front wheel	1	<b>Technical Specifications:</b> Motard version[sx]
7	00D01201091	Flap	1	<b>Technical Specifications:</b> Enduro version[rx]
7	00D01301401	Flap	1	<b>Technical Specifications:</b> Motard version[sx]
8	00002212070	Nut	36	
9	00H01218111	Front/rear tyre	1	<b>Technical Specifications:</b> Motard version[sx]
9	00H01219111	Front/rear tyre	1	<b>Technical Specifications:</b> Enduro version[rx]
10	00H01206101	Inner tube	1	year: 2006[6], 2008[8] <b>Technical Specifications:</b> Enduro version[rx]
10	00H01207101	Inner tube	1	<b>Technical Specifications:</b> Motard version[sx]
10	00H01209101	Inner tube	1	year: 2009[9] <b>Technical Specifications:</b> Enduro version[rx]
11	00H01222021	Front brake disc	1	year: 2006[6], 2008[8] <b>Technical Specifications:</b> Enduro version[rx]

<b>Assembly</b>	FRAME
<b>Code</b>	28.08
<b>Description</b>	Front wheel
<b>Revision</b>	1



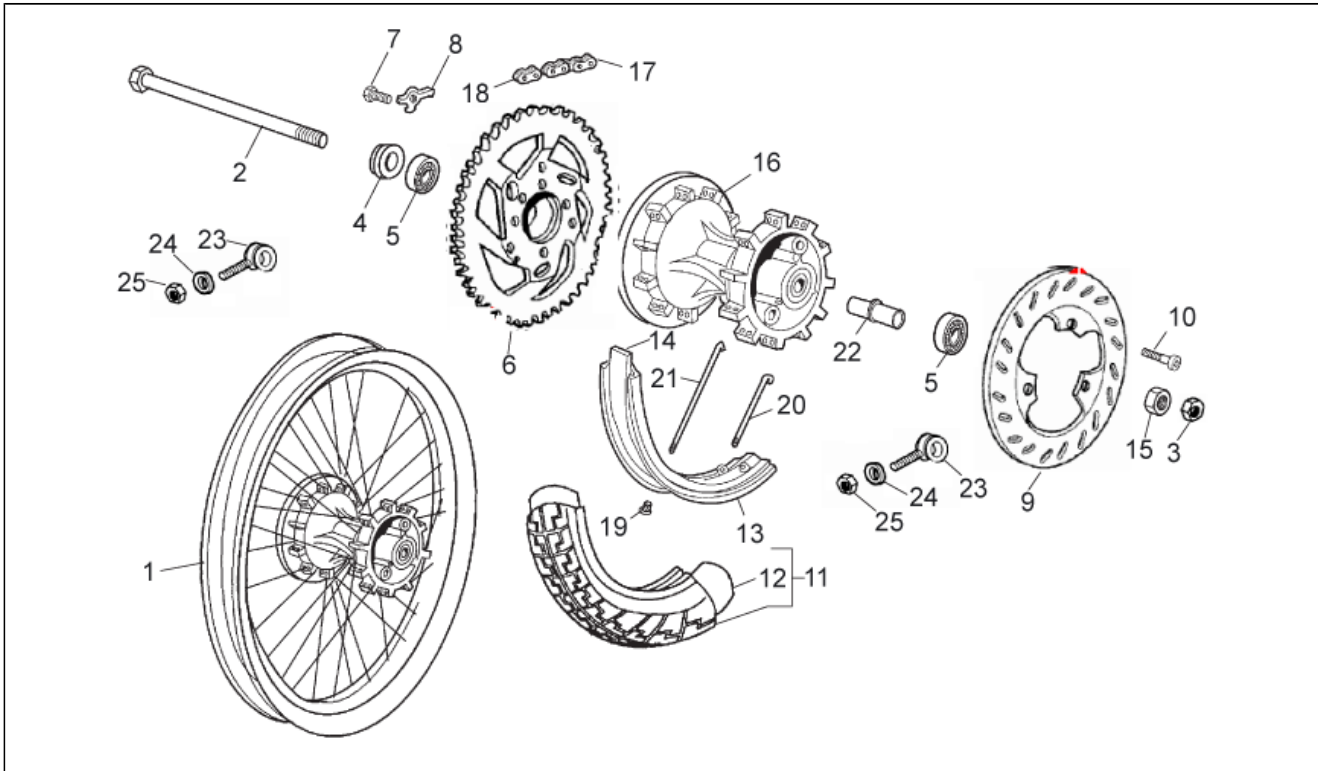
Pos.	Code	Description	Q.ty	Variants
11	00H01224021	Front brake disc	1	year: 2006[6], 2008[8] <b>Technical Specifications:</b> Motard version[sx]
11	865533	Brake disc ant.D300	1	year: 2009[9] <b>Technical Specifications:</b> Motard version[sx]
11	865534	Brake disc ant.D260	1	year: 2009[9] <b>Technical Specifications:</b> Enduro version[rx]
12	00H01206061	Front wheel spoke	36	<b>Technical Specifications:</b> Enduro version[rx]
12	00H01303691	Rear spoke	1	<b>Technical Specifications:</b> Motard version[sx]
13	00H01208191	Front brake caliper	1	
14	00H04703141	Pads pair	1	
15	00002083001	Screw	2	
16	00H01201331	Protection	1	
17	00034000802	Washer D8	2	
18	00H00300672	Nut	1	
19	00H02402282	Screw 6X20	6	
20	00F04700121	Bleed valve	1	
21	00H01301831	Spring	1	
22	00H01203031	Wheel internal spacer	1	

<b>Assembly</b>	FRAME
<b>Code</b>	28.09
<b>Description</b>	Rear wheel
<b>Revision</b>	1



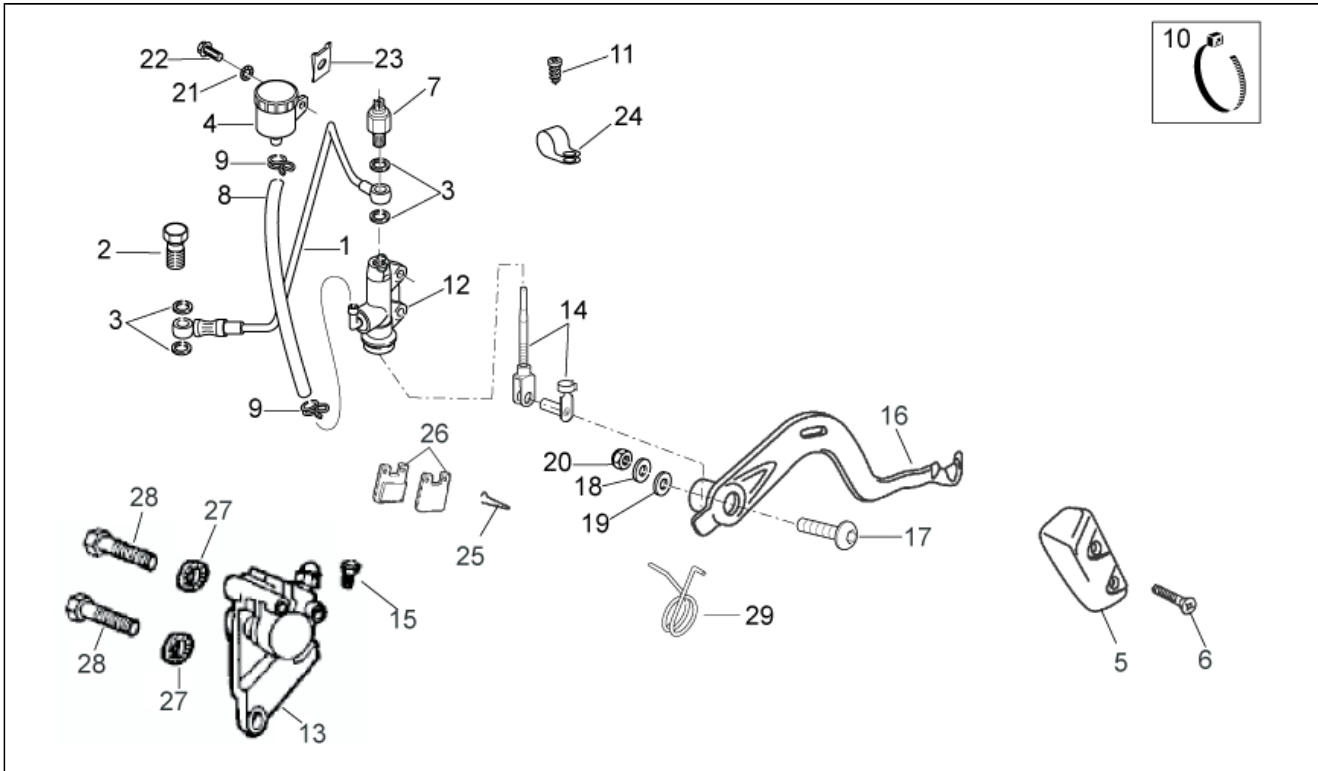
Pos.	Code	Description	Q.ty	Variants
1	00H02404331	Rear wheel	1	year: 2006[6], 2008[8] <b>Technical Specifications:</b> Enduro version[rx]
1	00H02405331	Rear wheel	1	year: 2009[9] <b>Technical Specifications:</b> Motard version[sx]
1	863471	Rear wheel	1	year: 2006[6], 2008[8] <b>Technical Specifications:</b> Motard version[sx]
1	866284	Rear wheel	1	year: 2009[9] <b>Technical Specifications:</b> Enduro version[rx]
2	00H01304202	Rear swing arm pin	1	
3	00F01210312	Washer	1	
4	00001113192	Bushing	1	
5	847016	Bearing	2	
6	00H01317031	Chain ring Z=53	1	year: 2006[6], 2008[8] <b>Technical Specifications:</b> Motard version[sx]
6	00H01317031	Chain ring Z=53	1	year:2009[9]
6	00H01317032	Chain ring	1	year: 2006[6], 2008[8] <b>Technical Specifications:</b> Enduro version[rx]
7	00002182000	Screw 8M125X20.8.8	6	year: 2006[6], 2008[8] <b>Technical Specifications:</b> Motard version[sx]
7	00002182000	Screw 8M125X20.8.8	6	year: 2006[6], 2008[8] <b>Technical Specifications:</b> Enduro version[rx]
7	00012082022	Screw	6	year: 2009[9] <b>Technical Specifications:</b> Enduro version[rx]
7	00012083001	Screw 8MX125X30	6	year: 2009[9] <b>Technical Specifications:</b> Motard version[sx]
8	00H01302052	Plate	1	
9	00H01305531	Brake disc	1	
10	00H02401282	Screw	3	
11	00H01309321	Rear tyre	1	<b>Technical Specifications:</b> Enduro version[rx]
11	00H01315321	Rear tyre	1	<b>Technical Specifications:</b> Motard version[sx]
12	00H01308361	Inner tube	1	<b>Technical Specifications:</b> Enduro version[rx]

<b>Assembly</b>	FRAME
<b>Code</b>	28.09
<b>Description</b>	Rear wheel
<b>Revision</b>	1



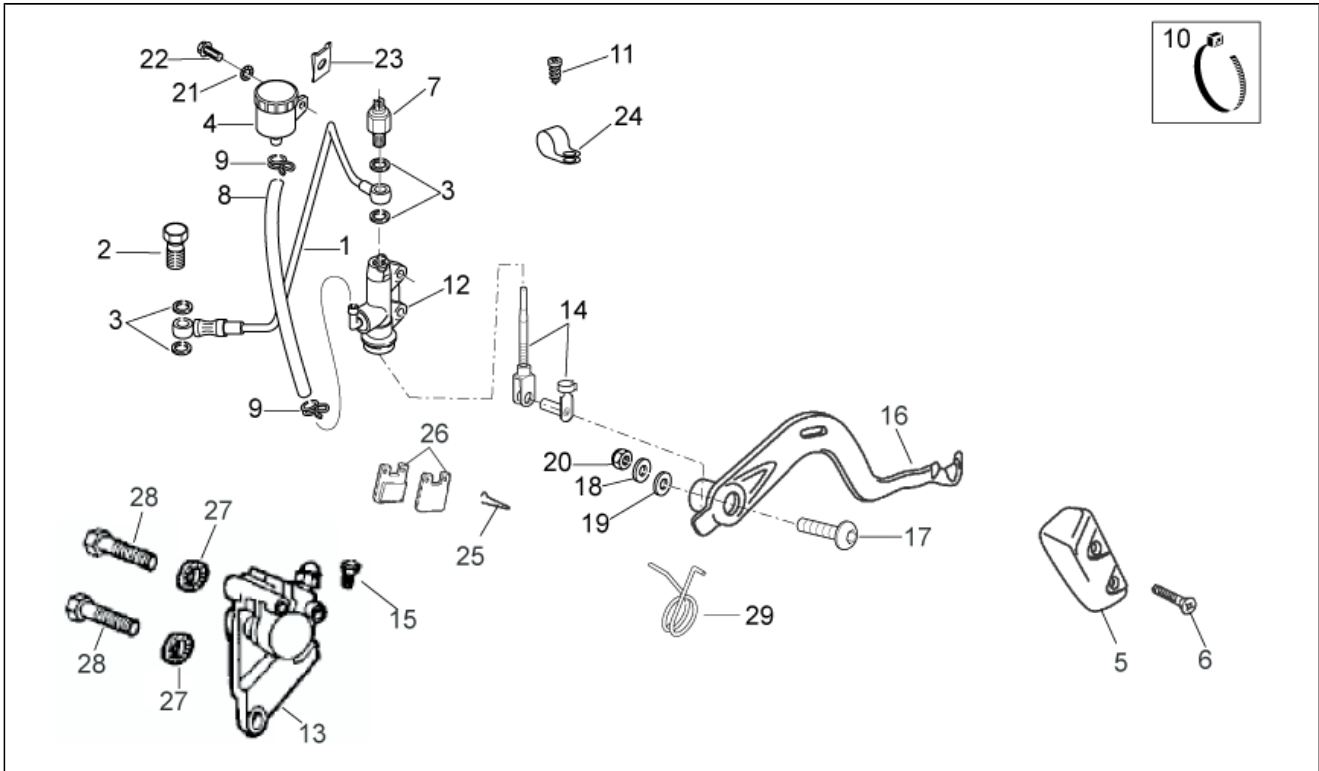
Pos.	Code	Description	Q.ty	Variants
12	00H01309361	Inner tube	1	<b>Technical Specifications:</b> Motard version[sx]
13	00H01302351	Rear wheel	1	<b>year:</b> 2006[6], 2008[8] <b>Technical Specifications:</b> Enduro version[rx]
13	00H01302354	Rear wheel	1	<b>year:</b> 2009[9] <b>Technical Specifications:</b> Enduro version[rx]
13	00H01306353	Rear wheel	1	<b>year:</b> 2009[9] <b>Technical Specifications:</b> Motard version[sx]
13	861023	Rear wheel	1	<b>year:</b> 2006[6], 2008[8] <b>Technical Specifications:</b> Motard version[sx]
14	00D01301401	Flap	1	<b>Technical Specifications:</b> Enduro version[rx]
14	00D01303401	Flap	1	<b>Technical Specifications:</b> Motard version[sx]
15	00262120032	Nut	1	
16	00H01307821	Rear hub	1	
17	00H01502201	Chain 130P	1	<b>Technical Specifications:</b> Standard version[std]
17	00H01507201	Chain	1	<b>Technical Specifications:</b> Switzerland Version E3[kit]
18	00H01501212	Connecting link	1	
19	00002212070	Nut	36	
20	00H01301691	Spoke	18	<b>Technical Specifications:</b> Enduro version[rx]
20	00H01303691	Rear spoke	18	<b>Technical Specifications:</b> Motard version[sx]
21	00H01301501	Rear spoke	18	<b>Technical Specifications:</b> Enduro version[rx]
21	00H01301731	Spoke	18	<b>Technical Specifications:</b> Motard version[sx]
22	00H01304091	Wheel internal spacer	1	
23	00H01302172	Chain guide plate	2	
24	00402060001	Washer D6 DIN125 AZNB	2	
25	00000023060	Nut M6100	2	

<b>Assembly</b>	FRAME
<b>Code</b>	28.10
<b>Description</b>	Rear brake caliper
<b>Revision</b>	1



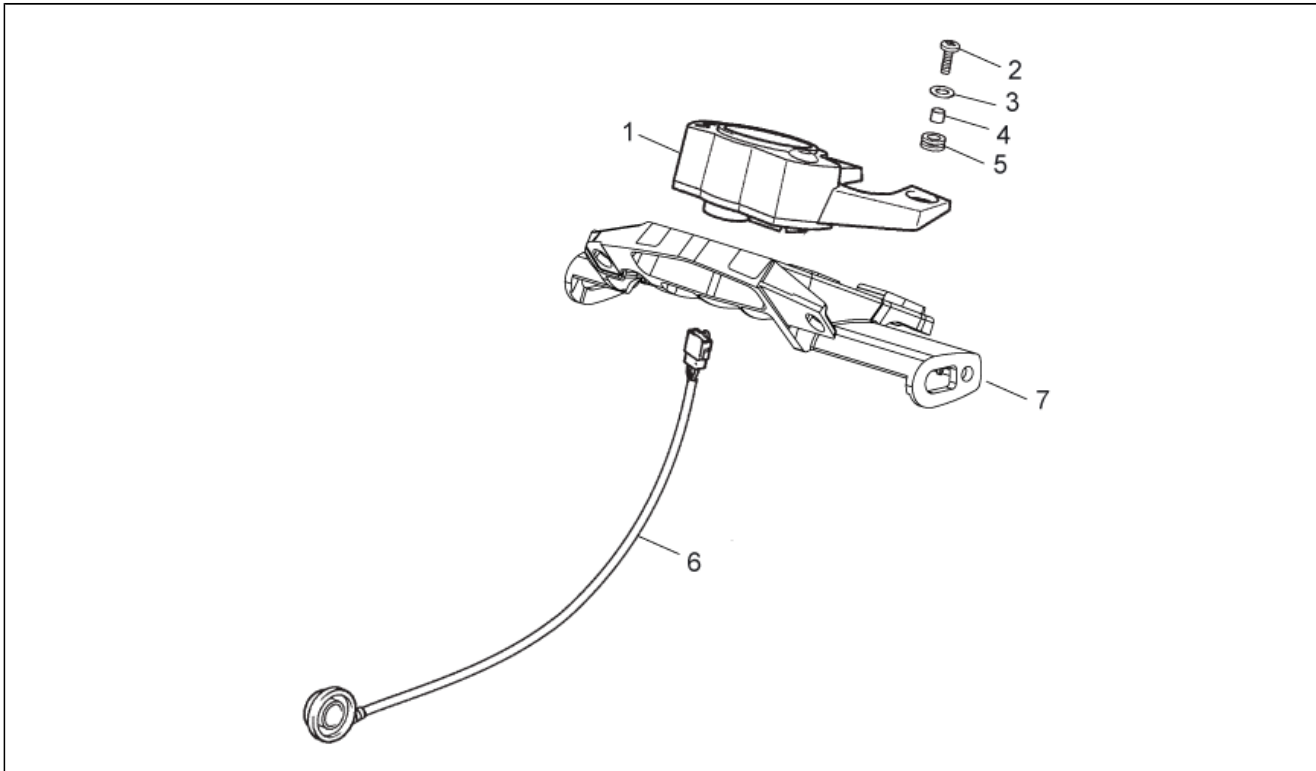
Pos.	Code	Description	Q.ty	Variants
1	00H01109081	Pipe	1	
2	00006309260	Oil pipe screw	1	
3	00006321040	Washer	4	
4	00D01100201	Oil tank	1	
5	861086	Protection	1	
6	00G01503701	Screw	2	
7	00H01001701	Brake light switch	1	
8	00H01101211	Pipe	1	
9	00H03700131	Hose clamp	2	
10	00F00900531	Hose clamp 290X4,8	1	
11	00011041300	Screw 4,8X13	1	
12	00H01106181	Rear brake	1	
13	863688	Rear brake caliper	1	
14	00H01103611	Master cylinder rod	1	
15	00F04700121	Bleed valve	1	
16	00H01120021	Brake lever	1	
17	00H01100172	Screw	1	
18	00402080001	Washer D8	1	
19	00005527540	Washer	1	
20	00023108000	Nut M8X125	1	
21	847181	Washer	1	
22	00012151500	Screw m5x16	1	
23	00G04401462	Nut D5	1	
24	00H01501811	Fairlead	1	
25	00H01301831	Spring	2	
26	00G04700141	Pads pair	1	
27	00034000802	Washer D8	2	
28	00002083001	Screw	2	

<b>Assembly</b>	FRAME
<b>Code</b>	28.10
<b>Description</b>	Rear brake caliper
<b>Revision</b>	1



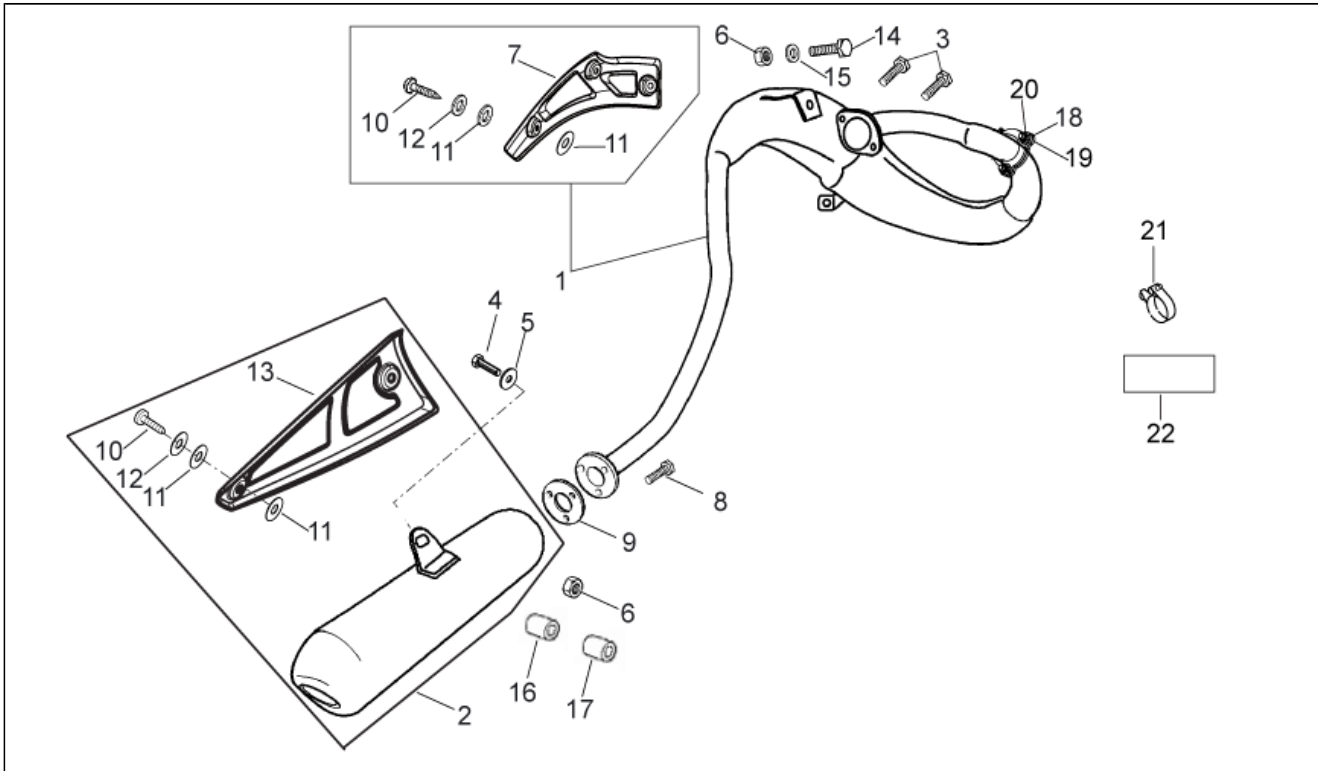
Pos.	Code	Description	Q.ty	Variants
29	00H01102072	Spring	1	

<b>Assembly</b>	FRAME
<b>Code</b>	28.11
<b>Description</b>	Dashboard
<b>Revision</b>	1



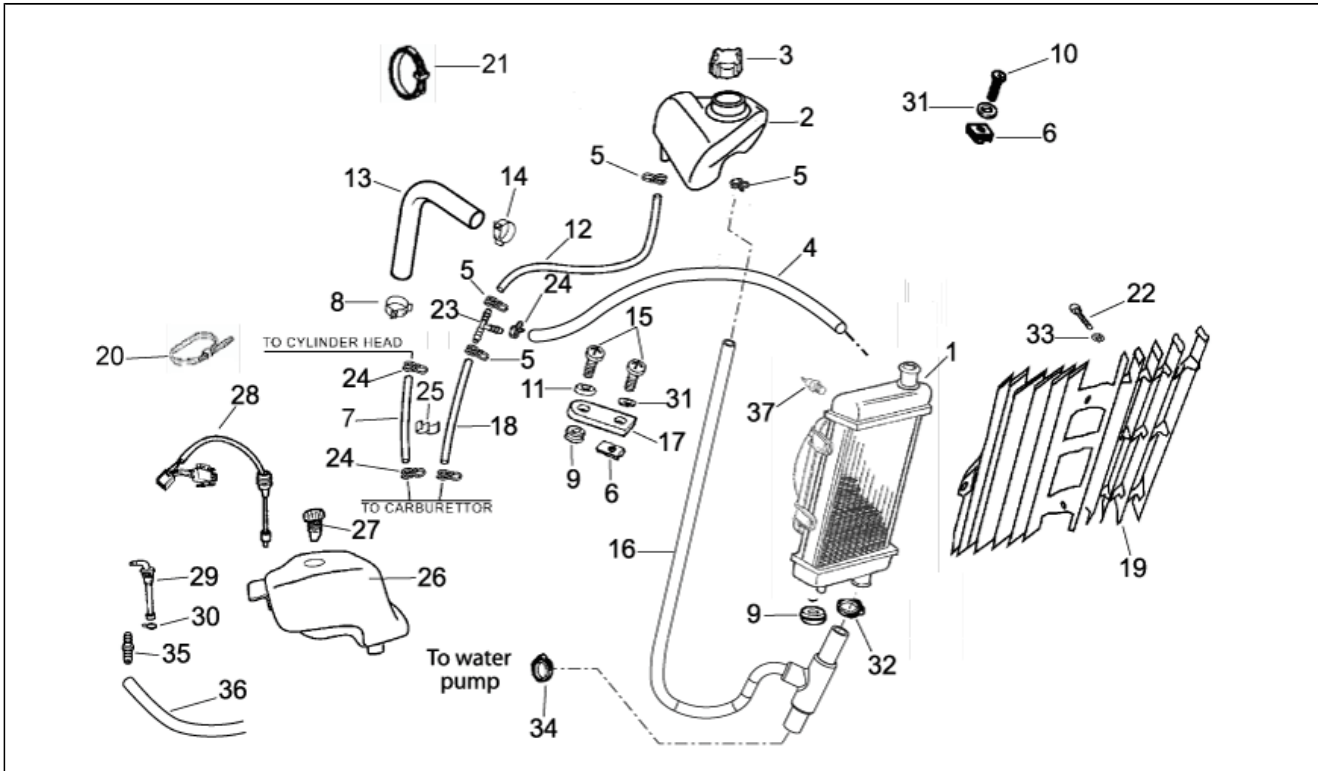
Pos.	Code	Description	Q.ty	Variants
1	00H01643521	Dashboard	1	<b>year:</b> 2006[6], 2008[8] <b>Country:</b> Great Britain[UK] <b>Technical Specifications:</b> Miles version[mph], Enduro version[rx]
1	00H01645521	Dashboard	1	<b>year:</b> 2006[6], 2008[8] <b>Country:</b> Great Britain[UK] <b>Technical Specifications:</b> Miles version[mph], Motard version[sx]
1	866128	Dashboard	1	<b>year:</b> 2006[6], 2008[8] <b>Country:</b> I, F, E, NL[EU] <b>Technical Specifications:</b> Kilometers version[kmh], Enduro version[rx]
1	866128	Dashboard	1	<b>year:</b> 2009[9] <b>Country:</b> I, F, E, NL[EU] <b>Technical Specifications:</b> Kilometers version[kmh], Enduro version[rx]
1	866129	Dashboard	1	<b>year:</b> 2006[6], 2008[8] <b>Country:</b> I, F, E, NL[EU] <b>Technical Specifications:</b> Kilometers version[kmh], Motard version[sx]
1	866129	Dashboard	1	<b>year:</b> 2009[9] <b>Country:</b> I, F, E, NL[EU] <b>Technical Specifications:</b> Kilometers version[kmh], Motard version[sx]
2	00012152000	Screw 5M80X20	1	
3	847181	Washer	1	
4	00H01600911	Pin	1	
5	00D01500021	Rubber spacer	1	
6	86137R	Gear	1	
7	894121	Socket support	1	<b>year:</b> 2009[9]

<b>Assembly</b>	FRAME
<b>Code</b>	28.12
<b>Description</b>	Exhaust unit
<b>Revision</b>	1



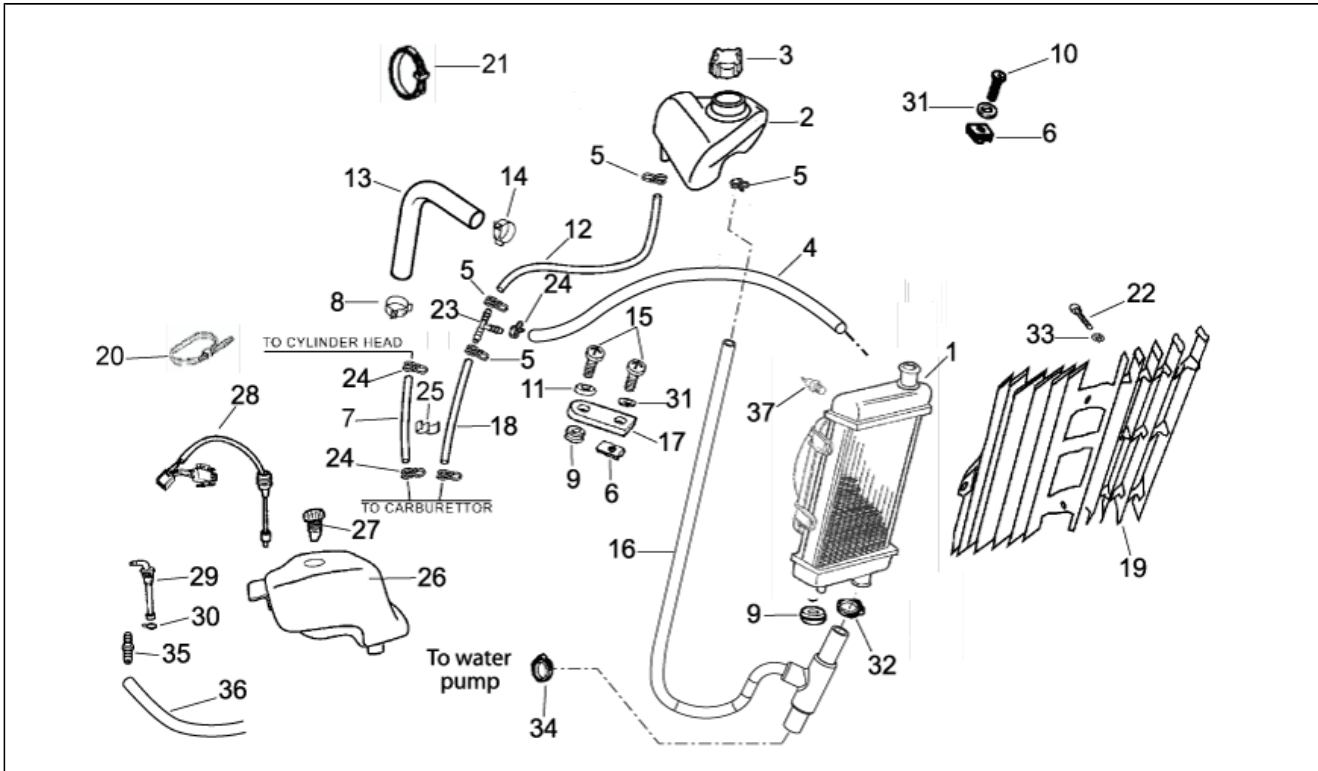
Pos.	Code	Description	Q.ty	Variants
1	861015	Exhaust pipe	1	<b>Technical Specifications:</b> Standard version[std]
1	865091	Exhaust pipe	1	<b>Technical Specifications:</b> Switzerland Version E3[kit]
2	861048	Silencer	1	
3	00002062011	Screw M6x20	2	
4	00000004835	Screw	1	
5	AP8134378	Silencer fixing bush	1	
6	00023108000	Nut M8X125	2	
7	861020	Front protection	1	
8	00D05910081	Screw m6x16	3	
9	00H03404321	Silencer gasket	1	
10	00000012415	Screw M6X16	5	
11	00F04201361	Washer	10	
12	847181	Washer	5	
13	861049	Rear guard	1	
14	00012081621	Screw w/ flange m8x16	1	
15	00402080001	Washer D8	1	
16	00D04900581	Bushing	1	
17	862429	Bushing	1	
18	865093	Gasket	1	
19	00002062011	Screw M6x20	3	<b>Technical Specifications:</b> Switzerland Version E3[kit]
20	00000023060	Nut M6100	3	<b>Technical Specifications:</b> Switzerland Version E3[kit]
21	00H03802461	Hose clamp	1	<b>Technical Specifications:</b> Switzerland Version E3[kit]
22	00G05100911	Accessories Bag	1	<b>Technical Specifications:</b> Switzerland Version E3[kit]

<b>Assembly</b>	FRAME
<b>Code</b>	28.13
<b>Description</b>	Water cooler
<b>Revision</b>	1



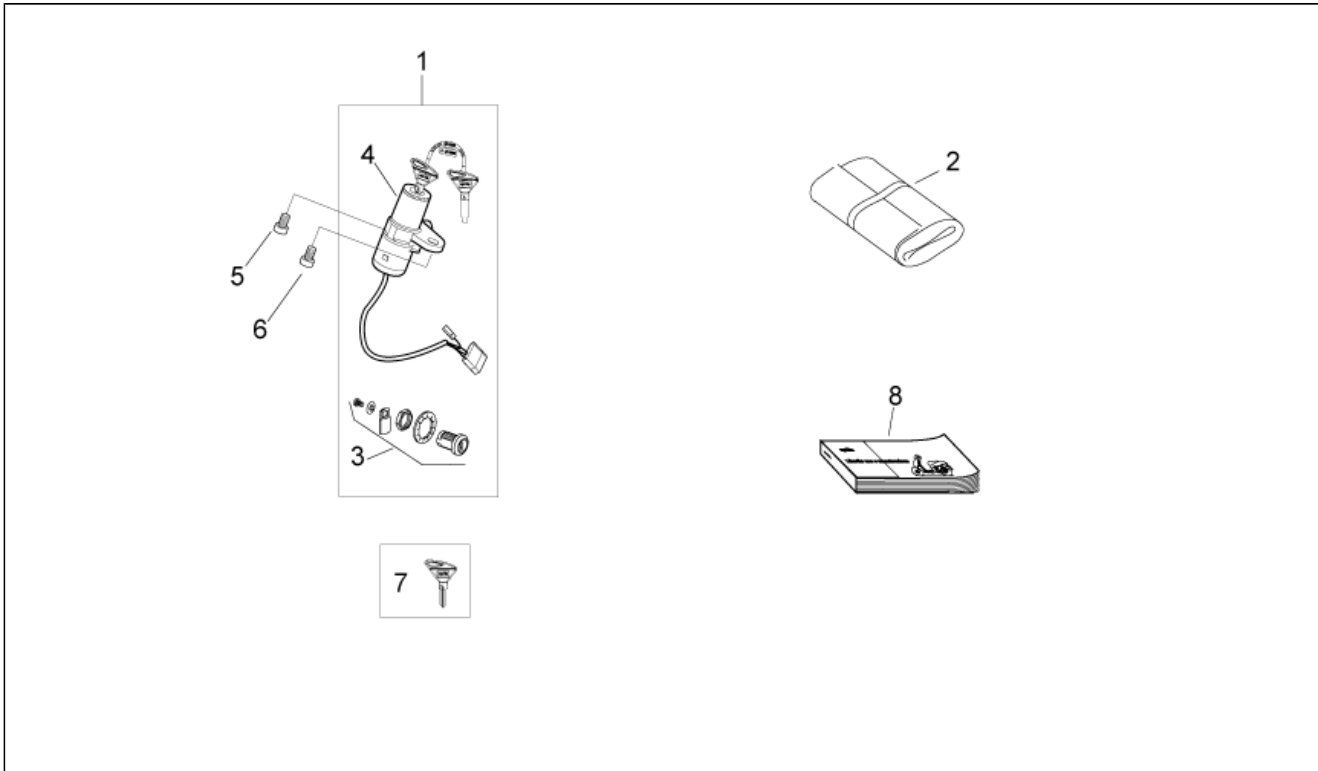
Pos.	Code	Description	Q.ty	Variants
1	00H03802541	Water cooler cpl.	1	
2	00H03810501	Expansion tank	1	
3	00H03802472	Tank cap	1	
4	862544	Pipe	1	
5	00G03801701	Hose clamp	4	
6	00D01501371	Nut D6	2	
7	00H03801961	Pipe	1	
8	00H03802751	Hose clamp	1	
9	00008915020	Grommet	1	
10	00012161600	Screw 6M100X16	1	
11	00D01500552	Cup	1	
12	862542	Pipe	1	
13	00H03808021	Pipe	1	year:2006[6], 2008[8]
13	86138R	Pipe	1	year:2009[9]
14	00H03801751	Hose clamp 21/8W4	1	
15	00092061214	Screw 6M100X12	2	
16	862493	Cooler-pump pipe	1	
17	00G02200692	Plate	1	
18	862543	Cooler pipe	1	
19	00H03805301	Water cooler grille	1	
20	00D00900531	Hose clamp	1	
21	00D00900531	Hose clamp	1	
22	00011141300	Screw 4,8X13	1	
23	862541	"Y" union	1	year:2009[9]
23	AP8120116	3-way union	1	year:2006[6], 2008[8]
24	00H00400501	Hose clamp 7,8-8,3	2	
25	00H03805091	Flange	1	
26	00H03704081	Oil tank	1	

<b>Assembly</b>	FRAME
<b>Code</b>	28.13
<b>Description</b>	Water cooler
<b>Revision</b>	1



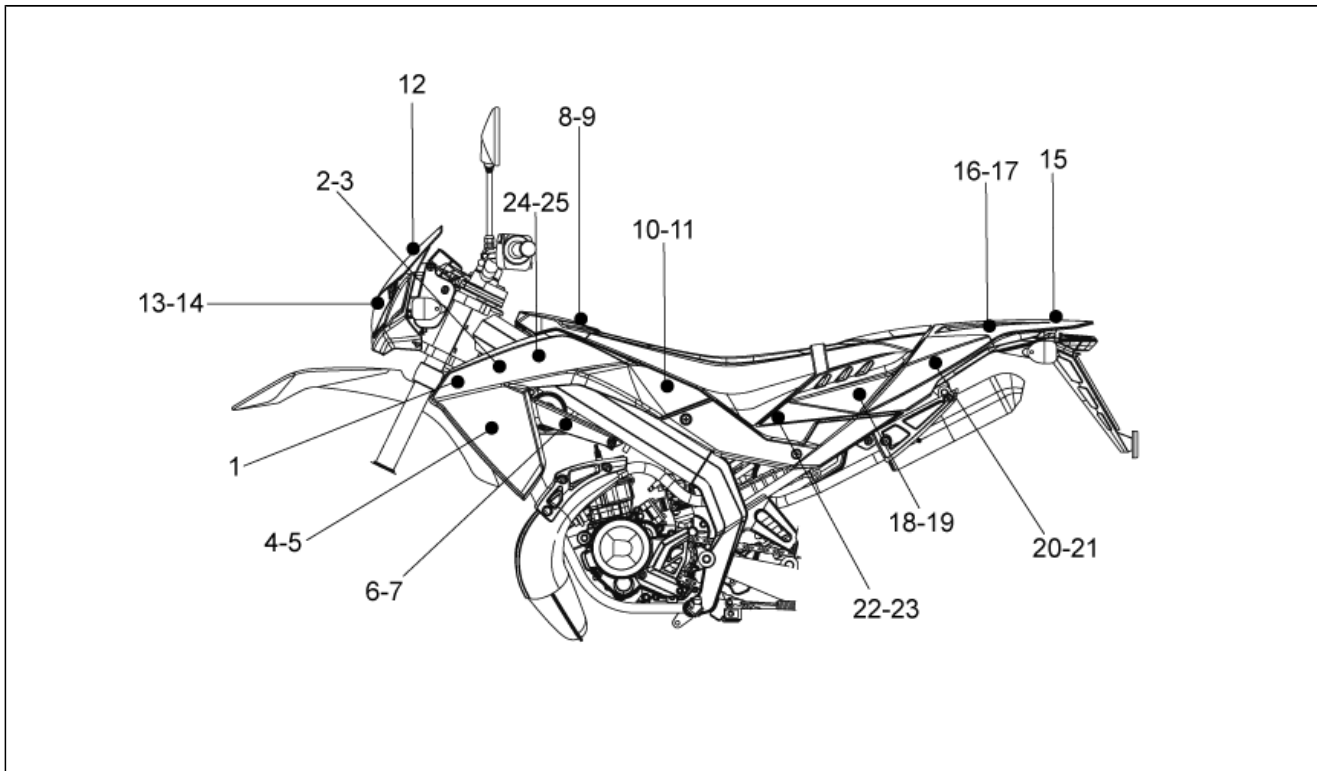
Pos.	Code	Description	Q.ty	Variants
27	00F03710241	Oil filler cap	1	
28	00H03703051	Oil level sensor	1	<b>Technical Specifications:</b> until frame VTHSR2D1A7H379323[T1]
28	864490	Oil level sensor	1	<b>Technical Specifications:</b> from frame VTHSR2D1A7H379324[T2]
29	00H03701411	Oil filter	1	
30	00G00400501	Hose clamp	1	
31	AP8152181	Washer 6,4x15x1	2	
32	AP8201169	Hose clip D22x8,6*	2	
33	AP8150178	Washer 6,4x12,5*	1	
34	AP8101743	Hose clip D23,5x8*	1	
35	00G03701031	Union	1	
36	00H03700111	Pipe	1	
37	00G03800741	Thermal switch	1	

<b>Assembly</b>	FRAME
<b>Code</b>	28.14
<b>Description</b>	Completing part
<b>Revision</b>	1



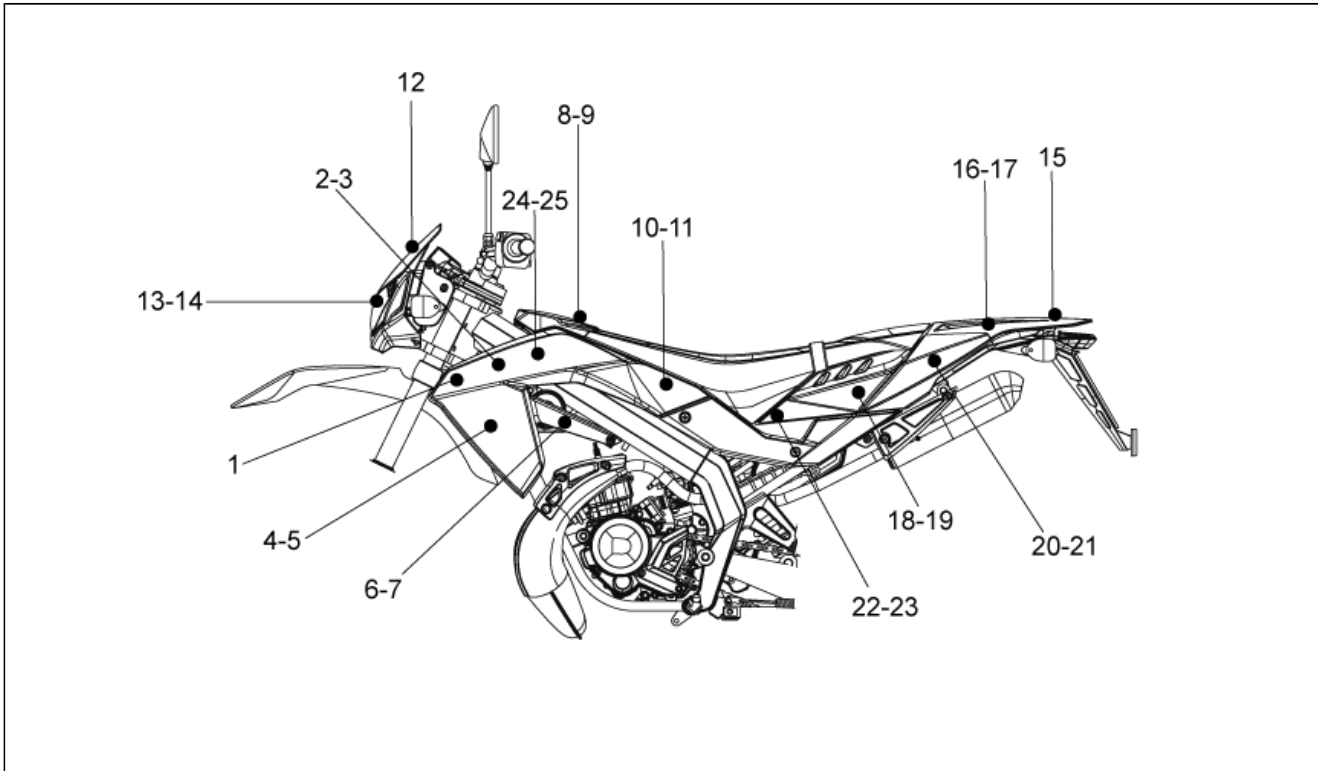
Pos.	Code	Description	Q.ty	Variants
1	861013	Lock hardware kit	1	
2	00H05101561	Toolkit	1	year:2009[9]
2	861120	Toolkit	1	year: 2006[6], 2008[8] Country:I, F, E, NL[EU]
2	862566	Toolkit	1	year: 2006[6], 2008[8] Country:Great Britain[UK]
3	852164	Top box lock	1	
4	852163	Main switch	1	
5	00002082021	Screw 8M125x20	1	
6	AP8150349	Special screw M8x15	1	
7	AP8140710	"Aprilia" key w/out transpo.	1	
8	854022	Operator's handbook km/h	1	year:2006[6], 2008[8]
8	854023	Operator's handbook mh/h	1	year:2006[6], 2008[8]
8	894133	Operator's handbook km/h	1	year:2009[9]
8	894235	Operator's handbook mh/h	1	year:2009[9]

<b>Assembly</b>	FRAME
<b>Code</b>	28.25
<b>Description</b>	Decal
<b>Revision</b>	1



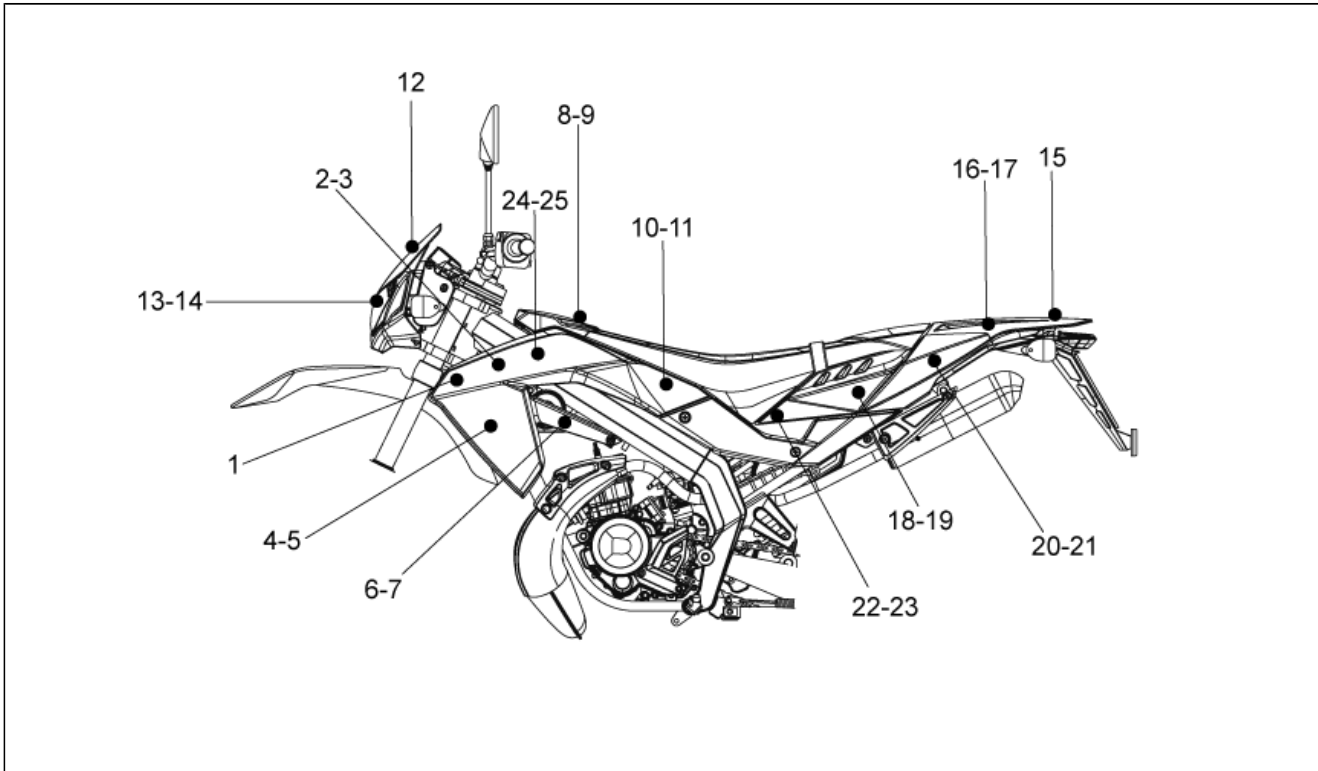
Pos.	Code	Description	Q.ty	Variants
1	8617320001	Decal "RX 50"	2	year: 2006[6] Color: Red Lion 2006 (s.t.85433)[red] Technical Specifications:Enduro version[rx]
1	8617330001	Decal "SX 50"	2	year: 2006[6] Color: Red Lion 2006 (s.t.85433)[red] Technical Specifications:Motard version[sx]
2	860335	Up.front RH decal Lion	1	year: 2008[8] Color:Off Black 2008 (s.t.860432)[black], Off White 2008 (s.t.860431)[white]
2	8617120001	Up.front RH decal Lion	1	year: 2006[6] Color:Red Lion 2006 (s.t.85433)[red]
3	860336	Up.front LH decal Lion	1	year: 2008[8] Color:Off Black 2008 (s.t.860432)[black], Off White 2008 (s.t.860431)[white]
3	8617130001	Up.front LH decal Lion	1	year: 2006[6] Color:Red Lion 2006 (s.t.85433)[red]
4	860339	RH lower front sticker	1	year: 2008[8] Color:Off Black 2008 (s.t.860432)[black], Off White 2008 (s.t.860431)[white]
4	8617140001	RH lower front sticker	1	year: 2006[6] Color:Red Lion 2006 (s.t.85433)[red]
5	860340	LH lower front sticker	1	year: 2008[8] Color:Off Black 2008 (s.t.860432)[black], Off White 2008 (s.t.860431)[white]
5	8617150001	LH lower front sticker	1	year: 2006[6] Color:Red Lion 2006 (s.t.85433)[red]
6	860337	RH lower rear sticker	1	year: 2008[8] Color:Off Black 2008 (s.t.860432)[black], Off White 2008 (s.t.860431)[white]
6	8617160001	RH lower rear sticker	1	year: 2006[6] Color:Red Lion 2006 (s.t.85433)[red]
7	860338	LH lower rear sticker	1	year: 2008[8]

<b>Assembly</b>	FRAME
<b>Code</b>	28.25
<b>Description</b>	Decal
<b>Revision</b>	1



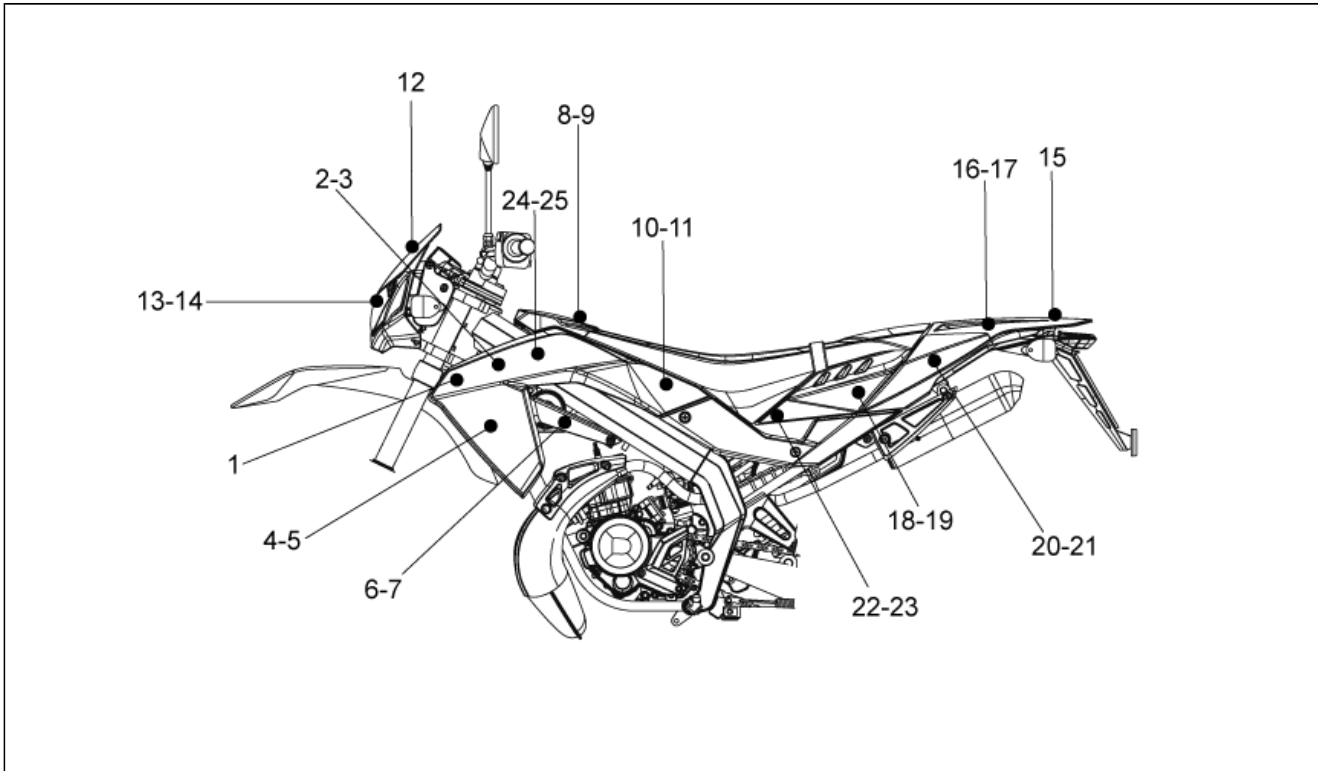
Pos.	Code	Description	Q.ty	Variants
				Color:Off Black 2008 (s.t.860432)[black], Off White 2008 (s.t.860431)[white]
7	8617170001	LH lower rear sticker	1	year: 2006[6] Color:Red Lion 2006 (s.t.85433)[red]
8	860343	Up.rear RH decal Lion	1	year: 2008[8] Color:Off Black 2008 (s.t.860432)[black], Off White 2008 (s.t.860431)[white]
8	8617180001	Up.rear RH decal Lion	1	year: 2006[6] Color:Red Lion 2006 (s.t.85433)[red]
9	860344	Up.rear LH decal Lion	1	year: 2008[8] Color:Off Black 2008 (s.t.860432)[black], Off White 2008 (s.t.860431)[white]
9	8617190001	Up.rear LH decal Lion	1	year: 2006[6] Color:Red Lion 2006 (s.t.85433)[red]
10	860341	Rear RH decal Lion	1	year: 2008[8] Color:Off Black 2008 (s.t.860432)[black], Off White 2008 (s.t.860431)[white]
10	8617200001	Rear RH decal Lion	1	year: 2006[6] Color:Red Lion 2006 (s.t.85433)[red]
11	860342	Rear LH decal Lion	1	year: 2008[8] Color:Off Black 2008 (s.t.860432)[black], Off White 2008 (s.t.860431)[white]
11	8617210001	Rear LH decal Lion	1	year: 2006[6] Color:Red Lion 2006 (s.t.85433)[red]
12	860332	Front decal	1	year: 2008[8] Color:Off White 2008 (s.t.860431)[white]
12	860356	Front decal	1	year: 2008[8] Color:Off Black 2008 (s.t.860432)[black]
12	8617220001	Front decal	1	year: 2006[6] Color:Red Lion 2006 (s.t.85433)[red]
13	860333	Sticker RH	1	year: 2008[8] Color:Off White 2008 (s.t.860431)[white]
13	860357	Sticker RH	1	year: 2008[8]

<b>Assembly</b>	FRAME
<b>Code</b>	28.25
<b>Description</b>	Decal
<b>Revision</b>	1



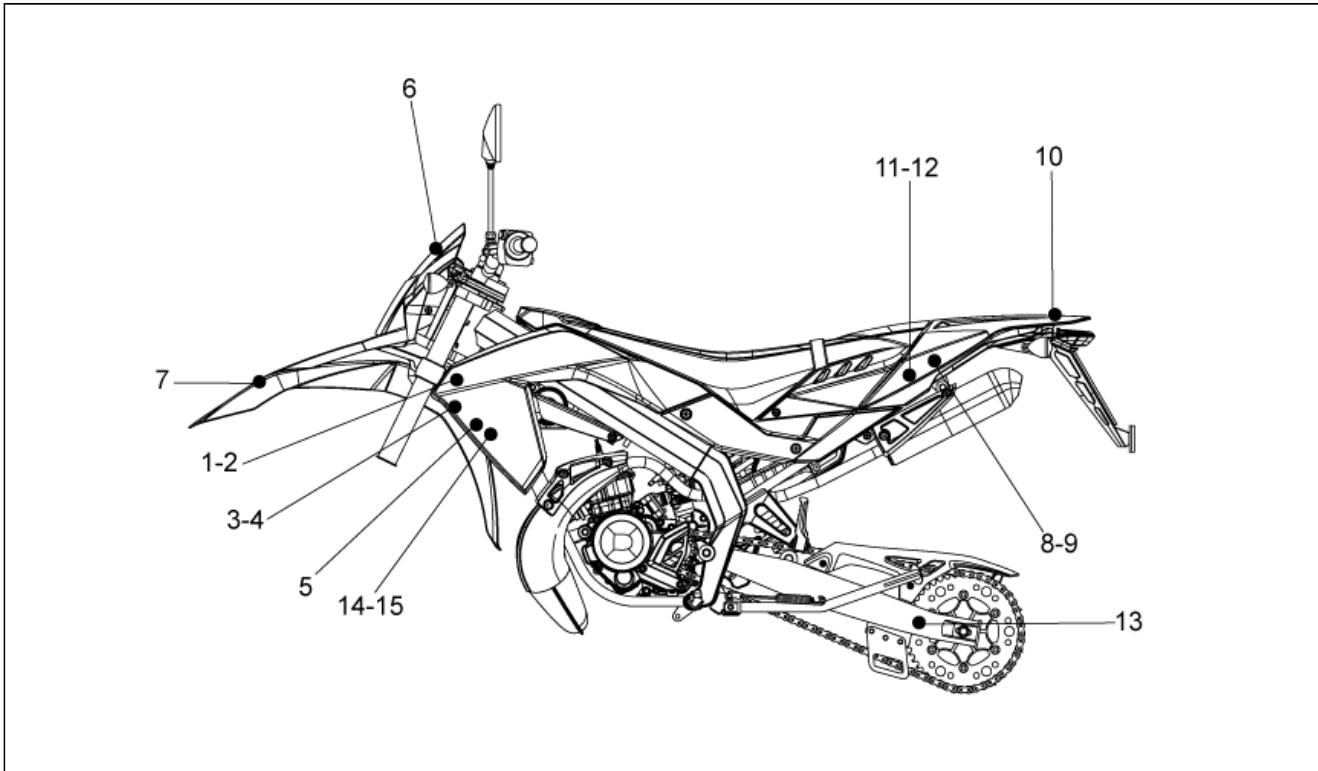
Pos.	Code	Description	Q.ty	Variants
				Color:Off Black 2008 (s.t.860432)[black]
13	8617230001	Sticker RH	1	year: 2006[6] Color:Red Lion 2006 (s.t.85433)[red]
14	860334	Sticker LH	1	year: 2008[8] Color:Off White 2008 (s.t.860431)[white]
14	860358	Sticker LH	1	year: 2008[8] Color:Off Black 2008 (s.t.860432)[black]
14	8617240001	Sticker LH	1	year: 2006[6] Color:Red Lion 2006 (s.t.85433)[red]
15	860353	Rear decal	1	year: 2008[8] Color:Off White 2008 (s.t.860431)[white]
15	860365	Rear decal	1	year: 2008[8] Color:Off Black 2008 (s.t.860432)[black]
15	8617250001	Rear decal	1	year: 2006[6] Color:Red Lion 2006 (s.t.85433)[red]
16	860351	Rear RH decal	1	year: 2008[8] Color:Off Black 2008 (s.t.860432)[black], Off White 2008 (s.t.860431)[white]
16	8617260001	Rear RH decal	1	year: 2006[6] Color:Red Lion 2006 (s.t.85433)[red]
17	860352	Rear LH decal	1	year: 2008[8] Color:Off Black 2008 (s.t.860432)[black], Off White 2008 (s.t.860431)[white]
17	8617270001	Rear LH decal	1	year: 2006[6] Color:Red Lion 2006 (s.t.85433)[red]
18	860345	Front RH decal aprilia	1	year: 2008[8] Color:Off White 2008 (s.t.860431)[white]
18	860359	Front RH decal aprilia	1	year: 2008[8] Color:Off Black 2008 (s.t.860432)[black]
18	8617280001	Front RH decal aprilia	1	year: 2006[6] Color:Red Lion 2006 (s.t.85433)[red]
19	860346	Front LH decal aprilia	1	year: 2008[8] Color:Off White 2008 (s.t.860431)[white]

<b>Assembly</b>	FRAME
<b>Code</b>	28.25
<b>Description</b>	Decal
<b>Revision</b>	1



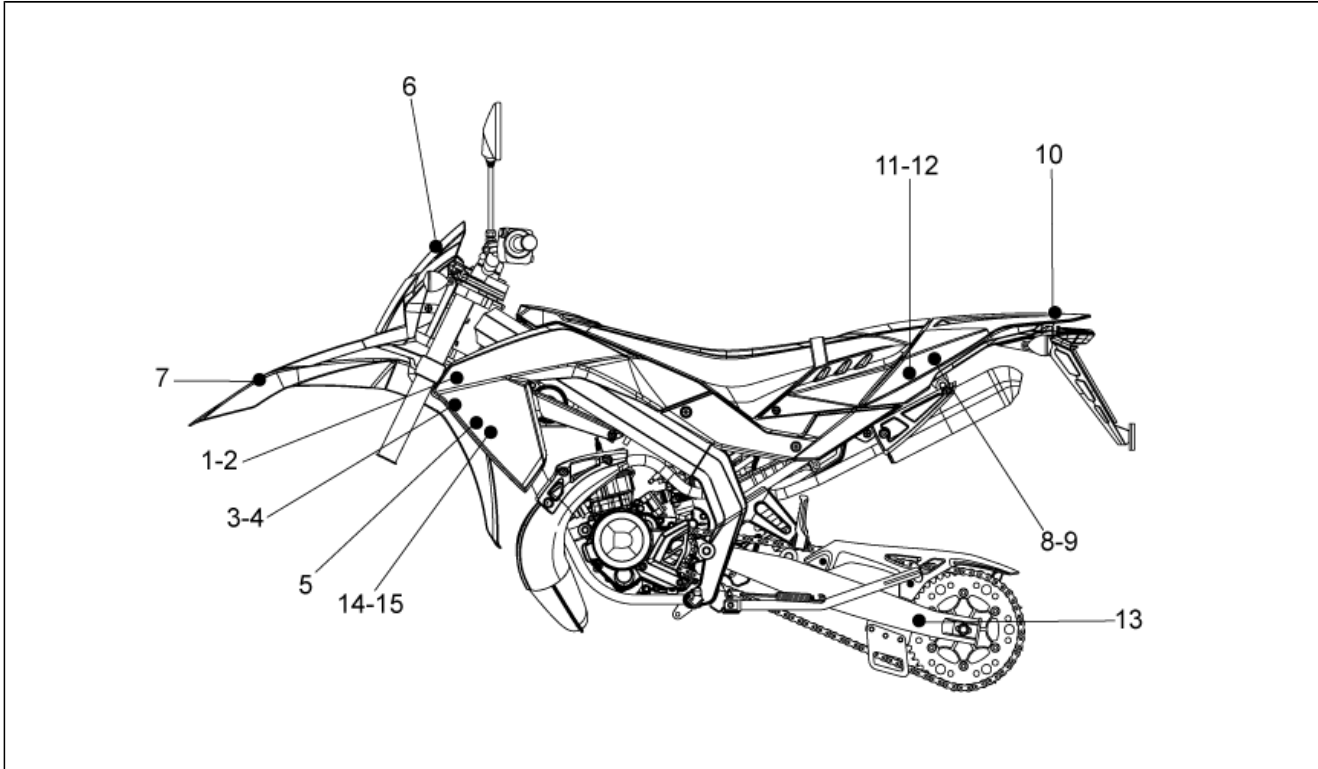
Pos.	Code	Description	Q.ty	Variants
19	860360	Front LH decal aprilia	1	year: 2008[8] Color:Off Black 2008 (s.t.860432)[black]
19	8617290001	Front LH decal aprilia	1	year: 2006[6] Color:Red Lion 2006 (s.t.85433)[red]
20	860349	Rear RH decal aprilia	1	year: 2008[8] Color:Off White 2008 (s.t.860431)[white]
20	860363	Rear RH decal aprilia	1	year: 2008[8] Color:Off Black 2008 (s.t.860432)[black]
20	8617300001	Rear RH decal aprilia	1	year: 2006[6] Color:Red Lion 2006 (s.t.85433)[red]
21	860350	Rear LH decal aprilia	1	year: 2008[8] Color:Off White 2008 (s.t.860431)[white]
21	860364	Rear LH decal aprilia	1	year: 2008[8] Color:Off Black 2008 (s.t.860432)[black]
21	8617310001	Rear LH decal aprilia	1	year: 2006[6] Color:Red Lion 2006 (s.t.85433)[red]
22	860347	Rear RH side panel decal	1	year: 2008[8] Color:Off Black 2008 (s.t.860432)[black], Off White 2008 (s.t.860431)[white]
23	860348	Rear LH side panel decal	1	year: 2008[8] Color:Off Black 2008 (s.t.860432)[black], Off White 2008 (s.t.860431)[white]
24	860354	"50" RH side panel decal	2	year: 2008[8] Color:Off Black 2008 (s.t.860432)[black], Off White 2008 (s.t.860431)[white]
25	860355	"50" LH side panel decal	2	year: 2008[8] Color:Off Black 2008 (s.t.860432)[black], Off White 2008 (s.t.860431)[white]

<b>Assembly</b>	FRAME
<b>Code</b>	28.26
<b>Description</b>	Decal 2009-2010
<b>Revision</b>	1



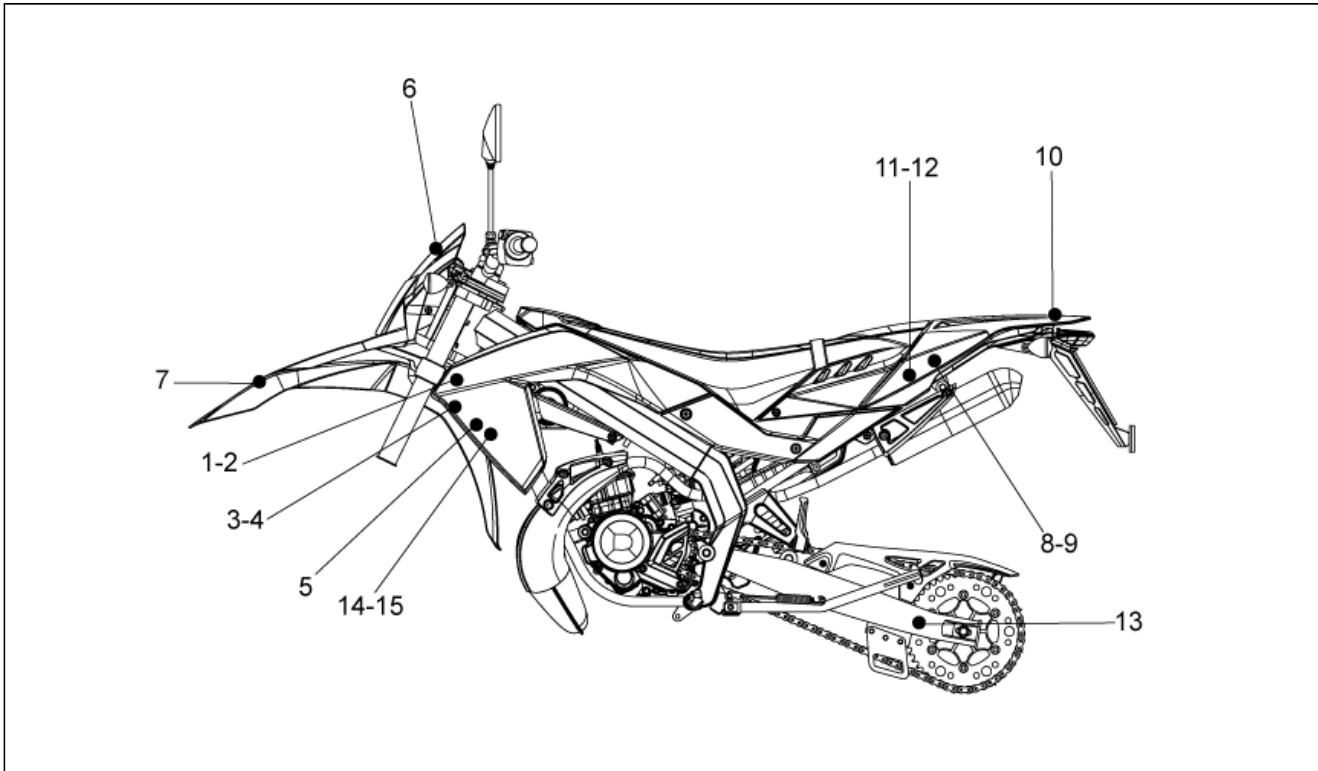
Pos.	Code	Description	Q.ty	Variants
1	890995	RH side panel decal	1	<b>year:</b> 2009[9] <b>Color:</b> Off Black 2009 (s.t.893828)[off.b], Off White 2009 (s.t.893927)[off.w] <b>Technical Specifications:</b> Enduro version[rx], Motard version[sx]
2	890996	LH side panel decal	1	<b>year:</b> 2009[9] <b>Color:</b> Off Black 2009 (s.t.893828)[off.b], Off White 2009 (s.t.893927)[off.w] <b>Technical Specifications:</b> Enduro version[rx], Motard version[sx]
3	890997	RH air duct, decal	1	<b>year:</b> 2009[9], 2010[A] <b>Color:</b> Off Black 2010 (s.t.896073)[b10], Off Black 2009 (s.t.893828)[off.b], Off White 2009 (s.t.893927)[off.w], Off White 2010 (s.t. 896072)[w10] <b>Technical Specifications:</b> Enduro version[rx], Motard version[sx]
4	890998	LH air duct, decal	1	<b>year:</b> 2009[9], 2010[A] <b>Color:</b> Off Black 2010 (s.t.896073)[b10], Off Black 2009 (s.t.893828)[off.b], Off White 2009 (s.t.893927)[off.w], Off White 2010 (s.t. 896072)[w10] <b>Technical Specifications:</b> Enduro version[rx], Motard version[sx]
5	893847	Decal dx-sx "rx 50"	2	<b>year:</b> 2009[9] <b>Color:</b> Off White 2009 (s.t.893927)[off.w] <b>Technical Specifications:</b> Enduro version[rx]
5	893848	Decal dx-sx "sx 50"	2	<b>year:</b> 2009[9] <b>Color:</b> Off Black 2009 (s.t.893828)[off.b] <b>Technical Specifications:</b> Motard version[sx]
5	896086	Decal dx-sx "50"	1	<b>year:</b> 2010[A] <b>Color:</b> Off White 2010 (s.t. 896072)[w10] <b>Technical Specifications:</b> Enduro version[rx]
5	896089	Decal dx-sx "50"	1	<b>year:</b> 2010[A] <b>Color:</b> Off Black 2010 (s.t.896073)[b10] <b>Technical Specifications:</b> Motard version[sx]
6	894542	Front decal "rx"	1	<b>year:</b> 2009[9], 2010[A]

<b>Assembly</b>	FRAME
<b>Code</b>	28.26
<b>Description</b>	Decal 2009-2010
<b>Revision</b>	1



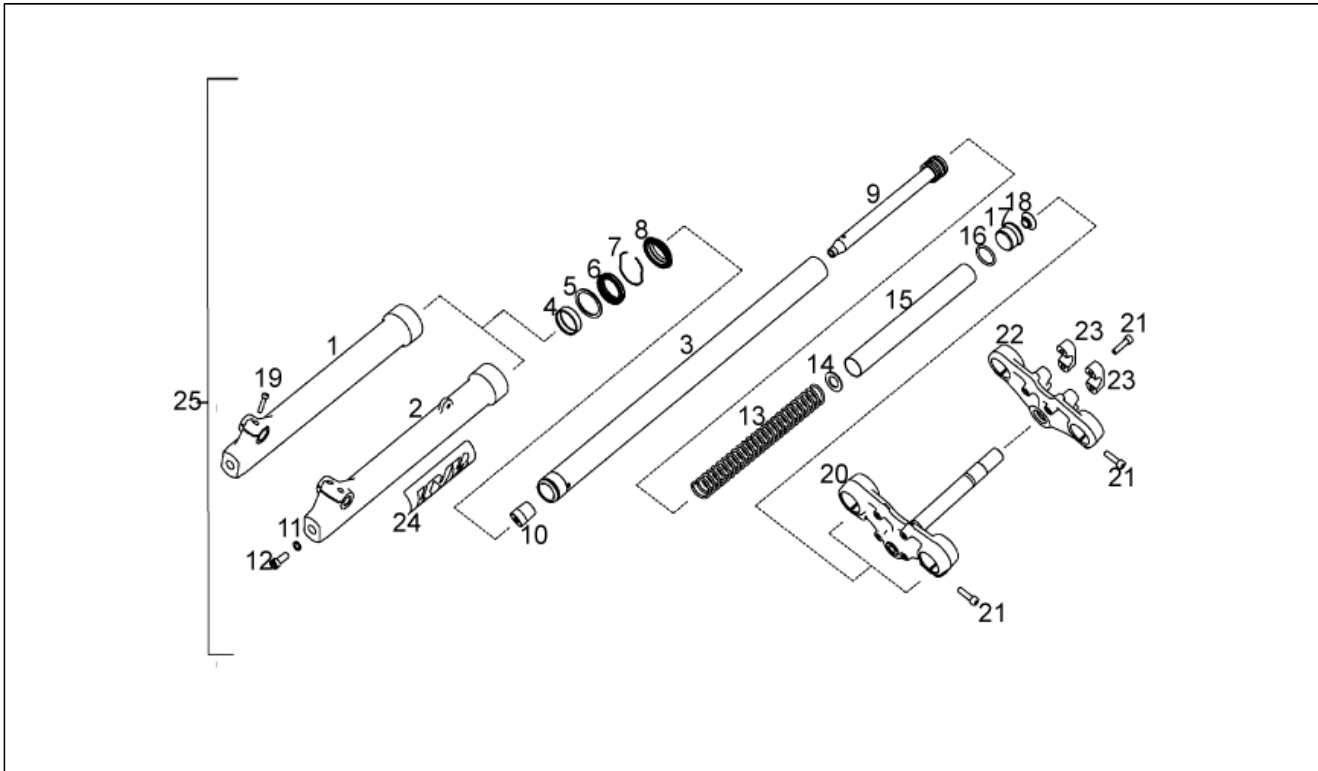
Pos.	Code	Description	Q.ty	Variants
				<b>Color:</b> Off White 2009 (s.t.893927)[off.w], Off White 2010 (s.t. 896072)[w10] <b>Technical Specifications:</b> Enduro version[rx]
6	894543	Front decal "sx"	1	<b>year:</b> 2009[9], 2010[A] <b>Color:</b> Off Black 2010 (s.t.896073)[b10], Off Black 2009 (s.t.893828)[off.b] <b>Technical Specifications:</b> Motard version[sx]
7	890575	Front mudguard decal	1	<b>year:</b> 2009[9], 2010[A] <b>Color:</b> Off Black 2009 (s.t.893828)[off.b], Off White 2009 (s.t.893927)[off.w] <b>Technical Specifications:</b> Enduro version[rx], Motard version[sx]
8	890534	RH rear fairing decal "off-road"	1	<b>year:</b> 2009[9], 2010[A] <b>Color:</b> Off White 2009 (s.t.893927)[off.w], Off White 2010 (s.t. 896072)[w10] <b>Technical Specifications:</b> Enduro version[rx]
8	890539	RH rear fairing decal "motard"	1	<b>year:</b> 2009[9], 2010[A] <b>Color:</b> Off Black 2010 (s.t.896073)[b10], Off Black 2009 (s.t.893828)[off.b] <b>Technical Specifications:</b> Motard version[sx]
9	890535	LH rear fairing decal "off-road"	1	<b>year:</b> 2009[9], 2010[A] <b>Color:</b> Off White 2009 (s.t.893927)[off.w], Off White 2010 (s.t. 896072)[w10] <b>Technical Specifications:</b> Enduro version[rx]
9	890540	LH rear fairing decal "motard"	1	<b>year:</b> 2009[9], 2010[A] <b>Color:</b> Off Black 2010 (s.t.896073)[b10], Off Black 2009 (s.t.893828)[off.b] <b>Technical Specifications:</b> Motard version[sx]
10	860353	Rear decal	1	<b>year:</b> 2009[9], 2010[A] <b>Color:</b> Off White 2009 (s.t.893927)[off.w], Off White 2010 (s.t. 896072)[w10] <b>Technical Specifications:</b> Enduro version[rx]
10	860365	Rear decal	1	<b>year:</b> 2009[9], 2010[A] <b>Color:</b> Off Black 2010 (s.t.896073)[b10], Off Black 2009 (s.t.893828)[off.b]

<b>Assembly</b>	FRAME
<b>Code</b>	28.26
<b>Description</b>	Decal 2009-2010
<b>Revision</b>	1



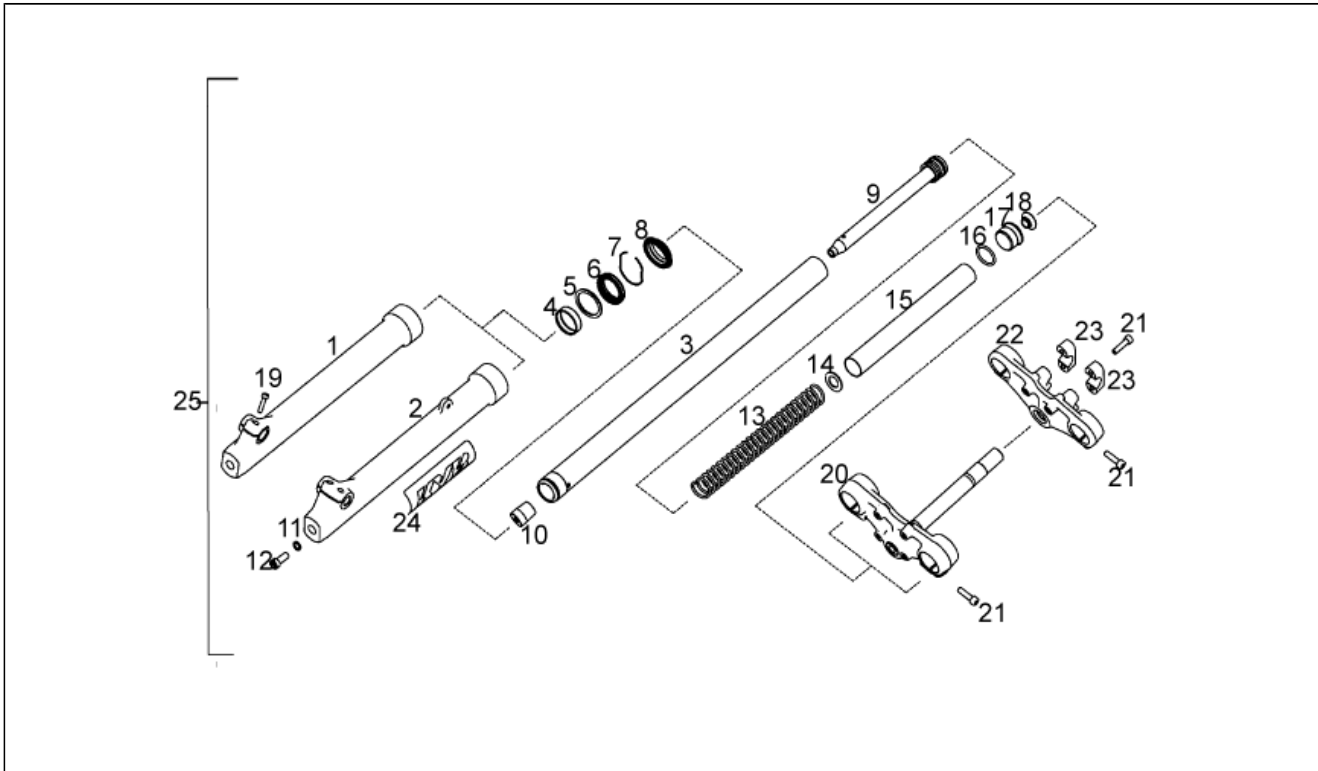
Pos.	Code	Description	Q.ty	Variants
				<b>Technical Specifications:</b> Motard version[sx]
11	893849	RH saddle sup cover decal	1	<b>year:</b> 2009[9], 2010[A] <b>Color:</b> Off Black 2010 (s.t.896073)[b10], Off Black 2009 (s.t.893828)[off.b], Off White 2009 (s.t.893927)[off.w], Off White 2010 (s.t. 896072)[w10] <b>Technical Specifications:</b> Enduro version[rx], Motard version[sx]
12	893850	LH saddle sup cover decal	1	<b>year:</b> 2009[9], 2010[A] <b>Color:</b> Off Black 2010 (s.t.896073)[b10], Off Black 2009 (s.t.893828)[off.b], Off White 2009 (s.t.893927)[off.w], Off White 2010 (s.t. 896072)[w10] <b>Technical Specifications:</b> Enduro version[rx], Motard version[sx]
13	893005	Decal "off road"	2	<b>year:</b> 2009[9], 2010[A] <b>Color:</b> Off White 2009 (s.t.893927)[off.w], Off White 2010 (s.t. 896072)[w10] <b>Technical Specifications:</b> Enduro version[rx]
13	893011	Decal "motard"	2	<b>year:</b> 2009[9], 2010[A] <b>Color:</b> Off Black 2010 (s.t.896073)[b10], Off Black 2009 (s.t.893828)[off.b] <b>Technical Specifications:</b> Motard version[sx]
14	896084	Decal "RX" dx	1	<b>year:</b> 2010[A] <b>Color:</b> Off White 2010 (s.t. 896072)[w10] <b>Technical Specifications:</b> Enduro version[rx]
14	896087	Decal "SX" dx	1	<b>year:</b> 2010[A] <b>Color:</b> Off Black 2010 (s.t.896073)[b10] <b>Technical Specifications:</b> Motard version[sx]
15	896085	Decal "RX" sx	1	<b>year:</b> 2010[A] <b>Color:</b> Off White 2010 (s.t. 896072)[w10] <b>Technical Specifications:</b> Enduro version[rx]
15	896088	Decal "SX" sx	1	<b>year:</b> 2010[A] <b>Color:</b> Off Black 2010 (s.t.896073)[b10] <b>Technical Specifications:</b> Motard version[sx]

<b>Assembly</b>	FRAME
<b>Code</b>	28.27
<b>Description</b>	Front fork II
<b>Revision</b>	1



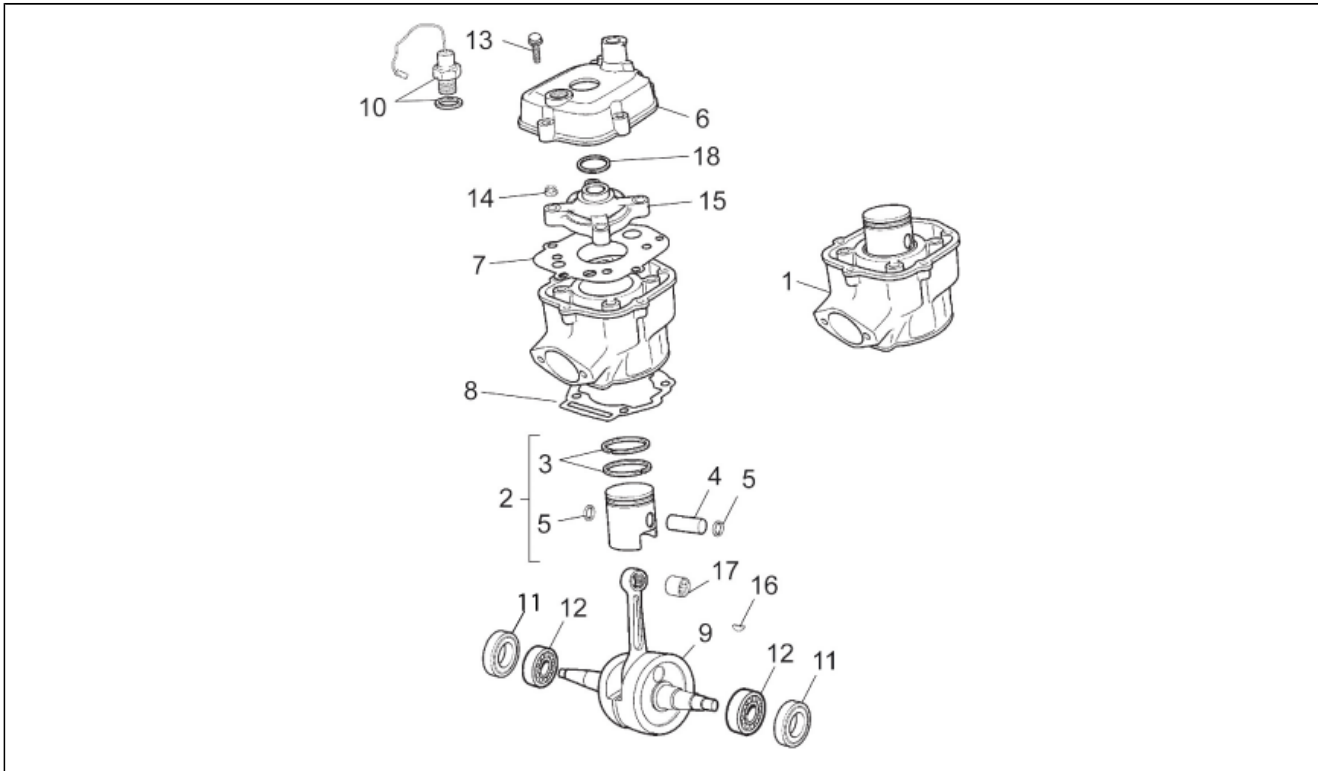
Pos.	Code	Description	Q.ty	Variants
1	864884	RH sleeve cpl.	1	year: 2009[9] Technical Specifications: KYB fork[kyb], Motard version[sx]
2	864904	LH sleeve cpl.	1	year: 2009[9] Technical Specifications: KYB fork[kyb], Motard version[sx]
3	864882	Sleeve	2	year: 2009[9] Technical Specifications: KYB fork[kyb], Motard version[sx]
4	864885	Ring nut	2	year: 2009[9] Technical Specifications: KYB fork[kyb], Motard version[sx]
5	864886	Washer	2	year: 2009[9] Technical Specifications: KYB fork[kyb], Motard version[sx]
6	864887	Oil seal	2	year: 2009[9] Technical Specifications: KYB fork[kyb], Motard version[sx]
7	864888	Stop ring	2	year: 2009[9] Technical Specifications: KYB fork[kyb], Motard version[sx]
8	864889	Dust cover	2	year: 2009[9] Technical Specifications: KYB fork[kyb], Motard version[sx]
9	864890	Plunger, complete	2	year: 2009[9] Technical Specifications: KYB fork[kyb], Motard version[sx]
10	864891	Stroke limit stop	2	year: 2009[9] Technical Specifications: KYB fork[kyb], Motard version[sx]
11	864892	Washer	2	year: 2009[9] Technical Specifications: KYB fork[kyb], Motard version[sx]
12	864893	Screw	2	year: 2009[9] Technical Specifications: KYB fork[kyb], Motard version[sx]
13	864905	Spring	2	year: 2009[9] Technical Specifications: KYB fork[kyb], Motard version[sx]
14	864895	Washer	2	year: 2009[9] Technical Specifications: KYB fork[kyb], Motard version[sx]
15	864906	Pipe	2	year: 2009[9] Technical Specifications: KYB fork[kyb], Motard version[sx]
16	864897	O-ring	2	year: 2009[9] Technical Specifications: KYB fork[kyb], Motard version[sx]

<b>Assembly</b>	FRAME
<b>Code</b>	28.27
<b>Description</b>	Front fork II
<b>Revision</b>	1



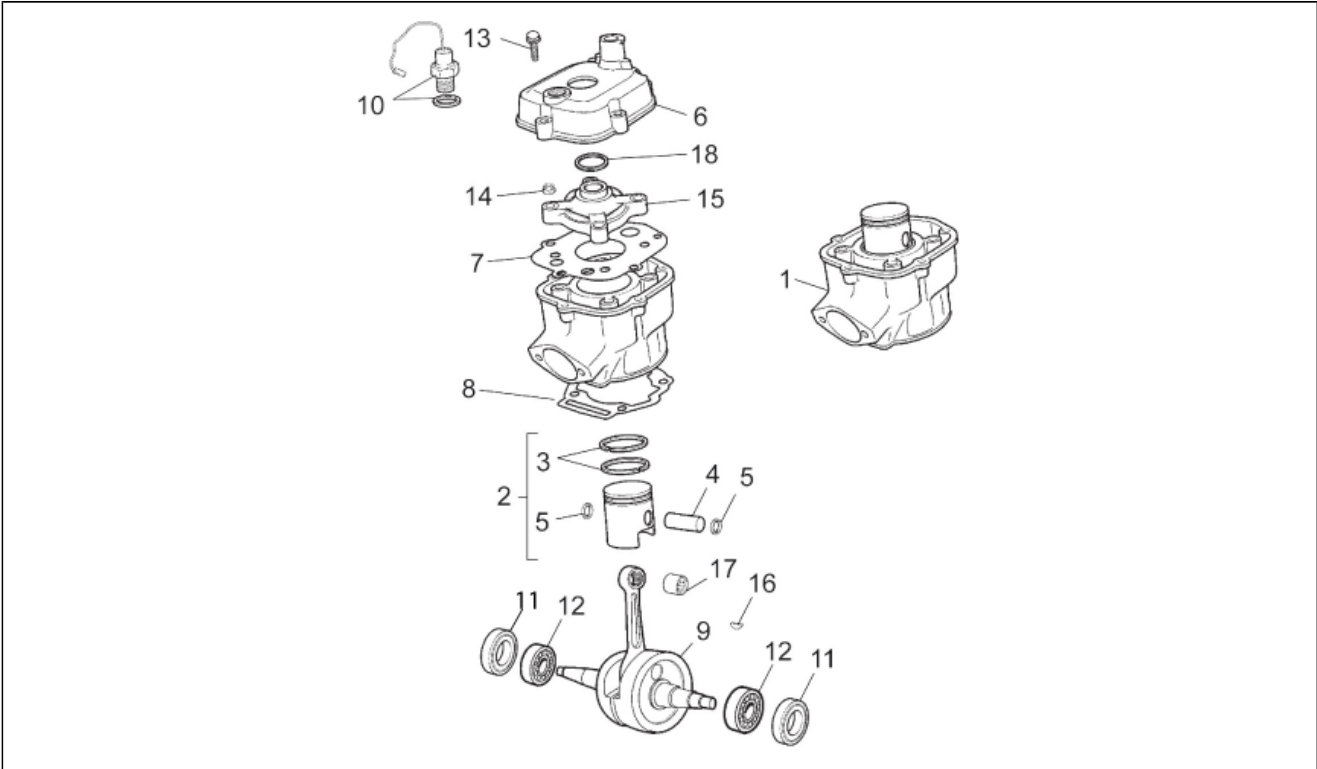
Pos.	Code	Description	Q.ty	Variants
17	864898	Drift	2	year: 2009[9] Technical Specifications: KYB fork[kyb], Motard version[sx]
18	864899	Plug	2	year: 2009[9] Technical Specifications: KYB fork[kyb], Motard version[sx]
19	864900	Screw	3	year: 2009[9] Technical Specifications: KYB fork[kyb], Motard version[sx]
20	864880	Stem base	1	year: 2009[9] Technical Specifications: KYB fork[kyb], Motard version[sx]
21	864881	Screw	4	year: 2009[9] Technical Specifications: KYB fork[kyb], Motard version[sx]
22	864901	Fork upper plate	1	year: 2009[9] Technical Specifications: KYB fork[kyb], Motard version[sx]
23	864902	U-bolt	2	year: 2009[9] Technical Specifications: KYB fork[kyb], Motard version[sx]
24	864903	Decal	2	year: 2009[9] Technical Specifications: KYB fork[kyb], Motard version[sx]
25	864453	Front fork	1	year: 2009[9] Technical Specifications: KYB fork[kyb], Motard version[sx]

<b>Assembly</b>	ENGINE
<b>Code</b>	29.15
<b>Description</b>	Cylinder
<b>Revision</b>	1



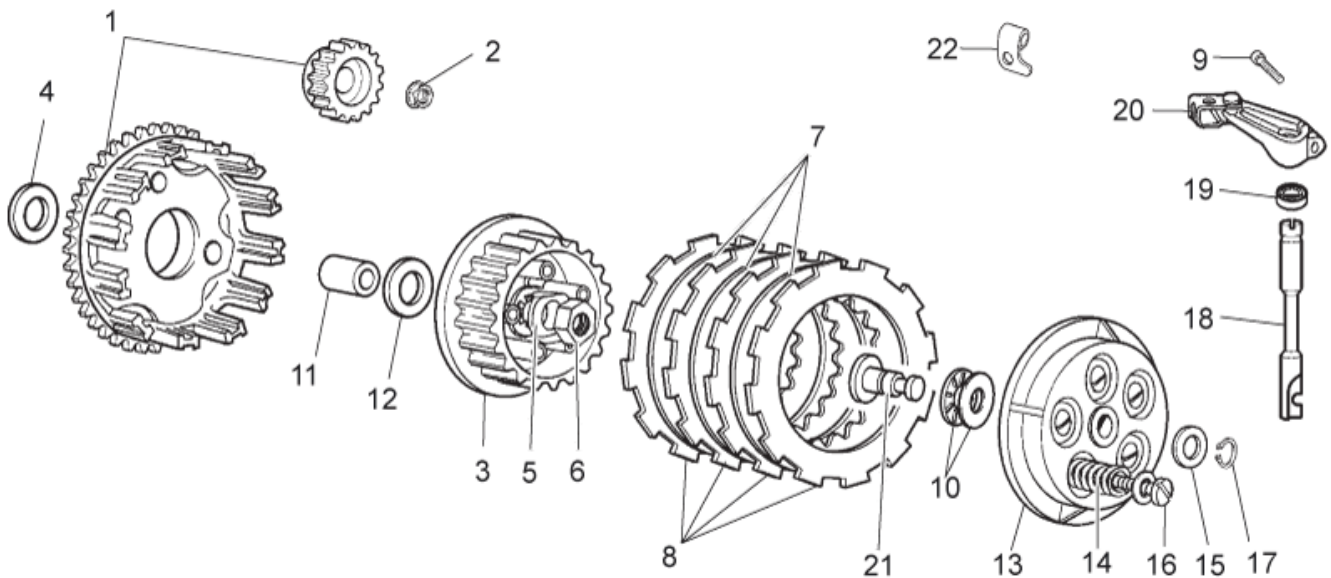
Pos.	Code	Description	Q.ty	Variants
1	8475085	Cylinder with piston	1	year:2006[6], 2008[8]
1	8772085	Cylinder with piston FE	1	year:2009[9]
2	8472625001	Piston assy A-V/AL	1	year:2006[6], 2008[8]
2	8472625002	Piston assy B-V/AL	1	year:2006[6], 2008[8]
2	8472625003	Piston assy C-V/AL	1	year:2006[6], 2008[8]
2	8472625004	Piston assy D-V/AL	1	year:2006[6], 2008[8]
2	8770700001	Piston assy A-V/FE	1	year:2009[9]
2	8770700002	Piston assy B-V/FE	1	year:2009[9]
2	8770700003	Piston assy C-V/FE	1	year:2009[9]
2	8770700004	Piston assy D-V/FE	1	year:2009[9]
3	847006	Piston ring set	1	year:2006[6], 2008[8]
3	877072	Ring	2	year:2009[9]
4	847012	Piston pin	1	
5	847178	Stop ring	2	
6	CM151902	Head cover	1	
7	871725	Cylinder head gasket	1	year:2006[6], 2008[8]
7	871725	Cylinder head gasket	1	year:2009[9]
8	871643	Cylinder base gasket	1	year:2006[6], 2008[8]
8	CM159501	Gasket V/FE 0,3	1	year:2009[9]
8	CM159502	Gasket V/AL 0,5	1	year:2009[9]
8	CM159503	Gasket V/FE 0,7	1	year:2009[9]
9	874224	Drive shaft	1	
10	847010	Temp. Sensor	1	
11	847020	Oil seal	2	
12	847172	Bearing	2	
13	414837	Screw w/ flange	5	year:2009[9]
13	CM149804	Screw 6X25	5	year:2006[6], 2008[8]
14	436947	Nut 7M100	1	

<b>Assembly</b>	ENGINE
<b>Code</b>	29.15
<b>Description</b>	Cylinder
<b>Revision</b>	1



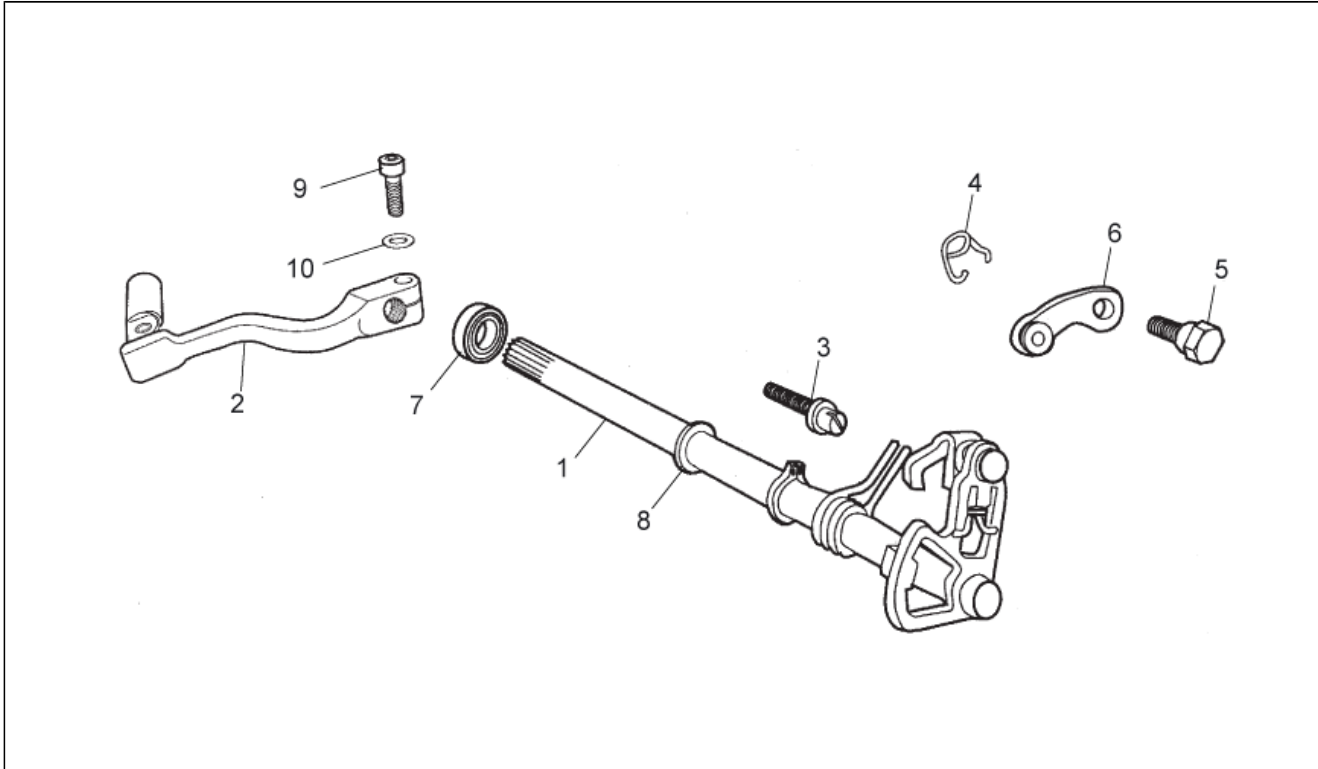
Pos.	Code	Description	Q.ty	Variants
15	847008	Cylinder head	1	
16	847215	Transmission key	1	
17	847529	Cage	1	
18	847007	Cylinder head gasket	1	

<b>Assembly</b>	ENGINE
<b>Code</b>	29.16
<b>Description</b>	Clutch
<b>Revision</b>	1



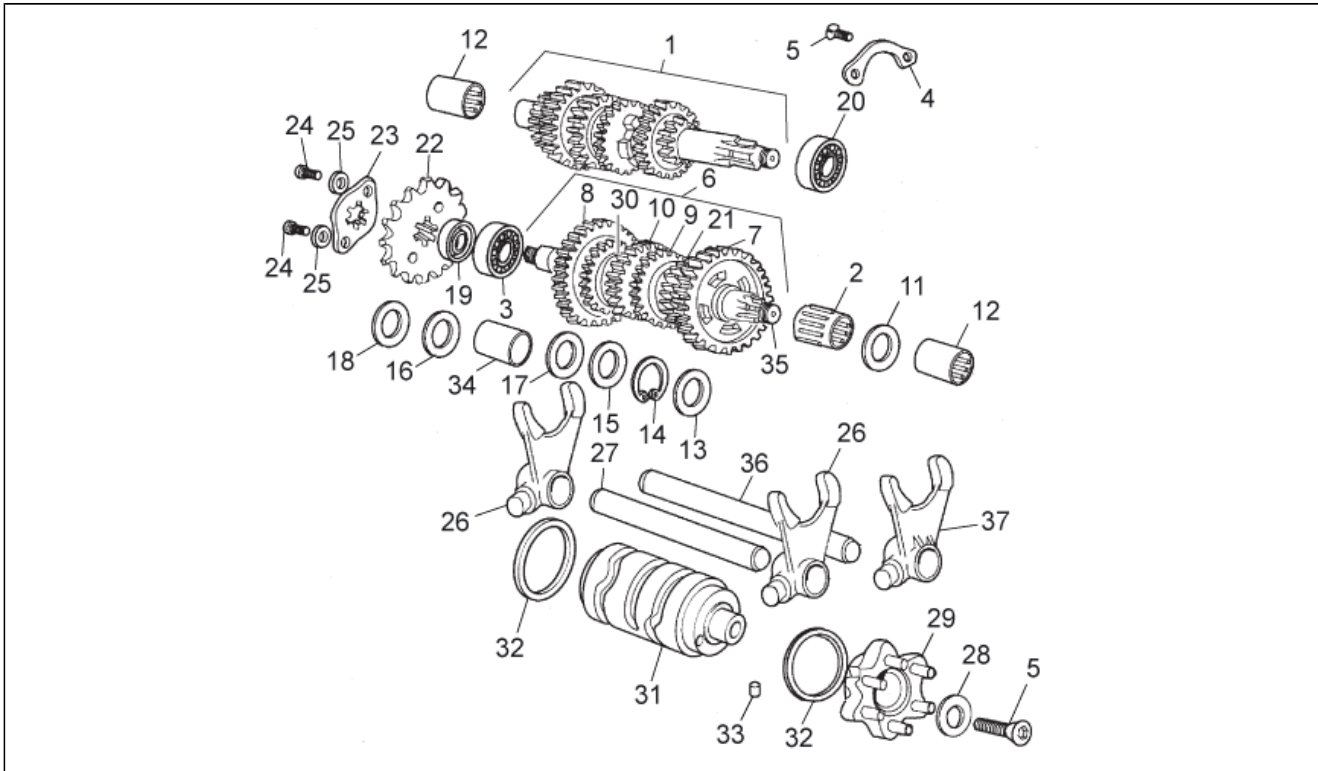
Pos.	Code	Description	Q.ty	Variants
1	8470985	Clutch drum	1	
2	847217	Nut 10M100	1	
3	847045	Clutch pressure plate	1	
4	847218	Washer	1	
5	847220	Plate	1	
6	00000326260	Nut	1	
7	847043	Driven clutch disc	3	
8	847044	Driving clutch disc	4	
9	623920	Screw torx	1	
10	847222	Bearing	1	
11	847040	Spacer	1	
12	847042	Washer	1	
13	847046	Clutch cover	1	
14	847047	Spring	1	
15	847224	Washer	1	
16	847048	Screw 5M80X35	1	
17	847225	Safety washer	1	
18	847083	Clutch lever	1	
19	847075	Oil seal	1	
20	CM151201	Clutch release shaft	1	
21	847223	Pin	1	
22	847090	Plate	1	

<b>Assembly</b>	ENGINE
<b>Code</b>	29.17
<b>Description</b>	Selector
<b>Revision</b>	1



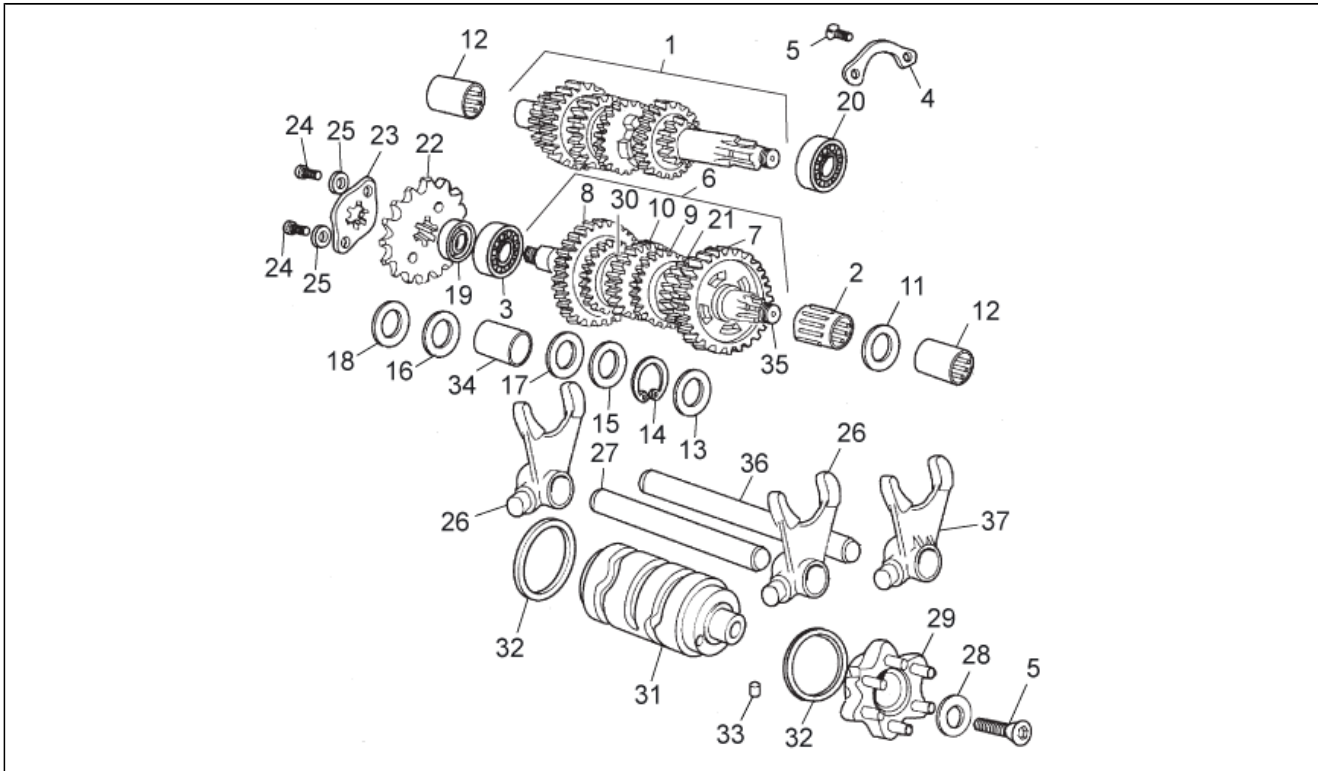
Pos.	Code	Description	Q.ty	Variants
1	847236	Selector shaft	1	
2	00H02703421	Gear lever	1	
3	847073	Bolt	1	
4	847069	Spring	1	
5	847070	Screw	1	
6	847068	Lever	1	
7	847075	Oil seal	1	
8	847228	Washer	1	
9	00002062511	Screw 6M100X25	1	
10	00442060002	Washer D6	1	

<b>Assembly</b>	ENGINE
<b>Code</b>	29.18
<b>Description</b>	Gear box
<b>Revision</b>	1



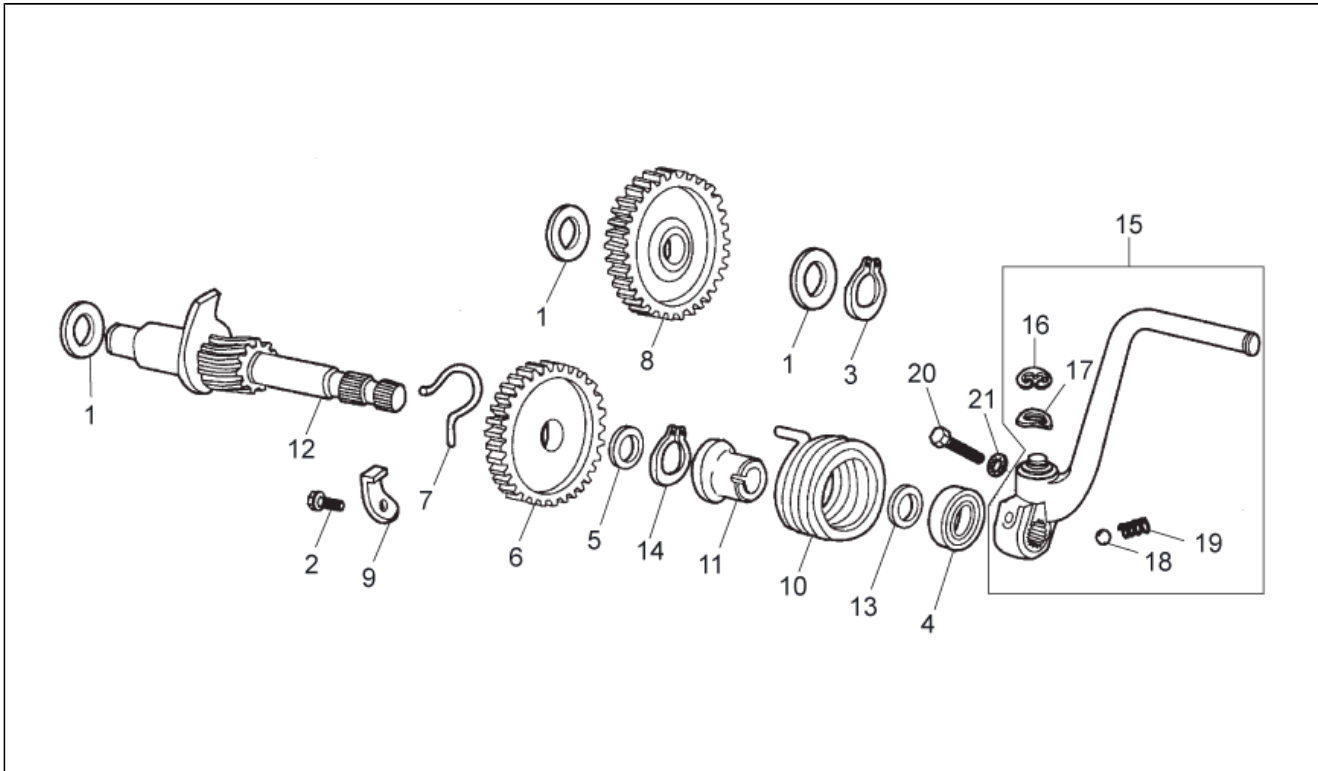
Pos.	Code	Description	Q.ty	Variants
1	847027	Primary gear shaft assy. 6 v.ta'	1	
2	847544	Needle bearing	1	
3	847086	Bearing	1	
4	847021	Plate	1	
5	847210	Screw	2	
6	847028	Secondary shaft cpl. 6 v.ta'	1	
7	847153	Gear 1A Z=34	1	
8	847157	Gear 2A Z=30	1	
9	847155	Gear 3A Z=27	1	
10	847156	Gear 4A Z=24	1	
11	847549	Washer	1	
12	847211	Needle bearing	1	
13	847550	Washer	1	
14	847542	Safety washer	1	
15	847548	Washer	1	
16	847541	Washer	1	
17	847546	Washer	1	
18	847545	Washer	1	
19	847019	Oil seal	1	
20	847209	Bearing	1	
21	847154	Gear 5A Z=23	1	
22	00H02812371	Pinion	1	Technical Specifications:Switzerland Version E3[kit]
22	00H02813371	Pinion	1	Technical Specifications:Standard version[std]
23	00H02800421	Plate	1	Technical Specifications:Standard version[std]
23	00H02810421	Plate	1	Technical Specifications:Switzerland Version E3[kit]
24	00000004510	Screw	2	Technical Specifications:Switzerland Version E3[kit]
24	00002041050	Screw 4M70X10	2	Technical Specifications:Standard version[std]
25	00000031050	Washer D5	2	Technical Specifications:Switzerland Version E3[kit]

<b>Assembly</b>	ENGINE
<b>Code</b>	29.18
<b>Description</b>	Gear box
<b>Revision</b>	1



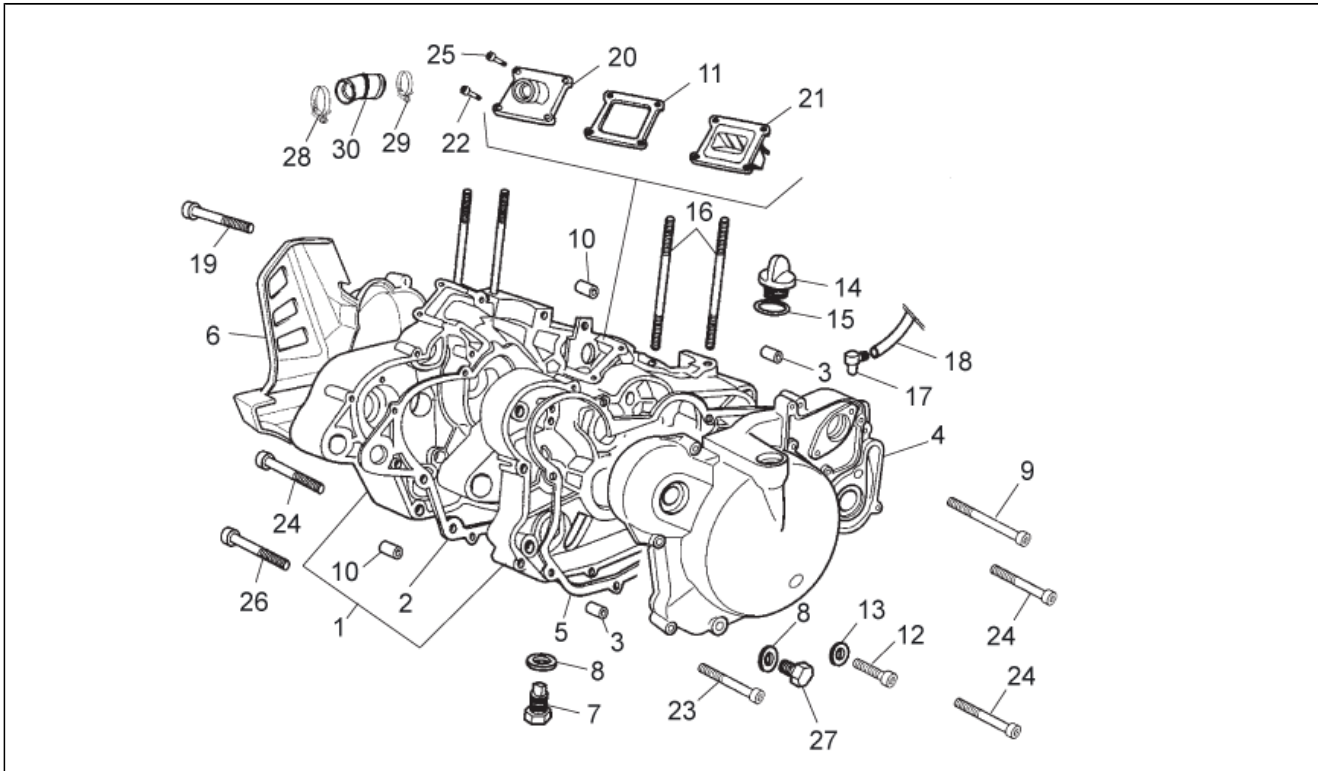
Pos.	Code	Description	Q.ty	Variants
25	00000033040	Washer D4	2	<b>Technical Specifications:</b> Standard version[std]
26	847032	Fork	2	
27	847030	Fork guide pin w/shank	2	
28	847214	Washer	2	
29	847038	Shift cam plate	1	<b>Technical Specifications:</b> Limited version 45 Km/h[45km]
29	863136	Shift cam plate	1	<b>Technical Specifications:</b> Limited version 30 Km/h[30km]
30	847158	Gear 6A Z=22	1	
31	847033	Shift cam	1	
32	847036	Washer	1	
33	847213	Piston pin 4X6	1	
34	847547	Bush	1	
35	847159	Secondary gear shaft	1	
36	847029	Fork guide pin w/shank	1	
37	847031	Fork	1	

<b>Assembly</b>	ENGINE
<b>Code</b>	29.19
<b>Description</b>	Ignition unit
<b>Revision</b>	1



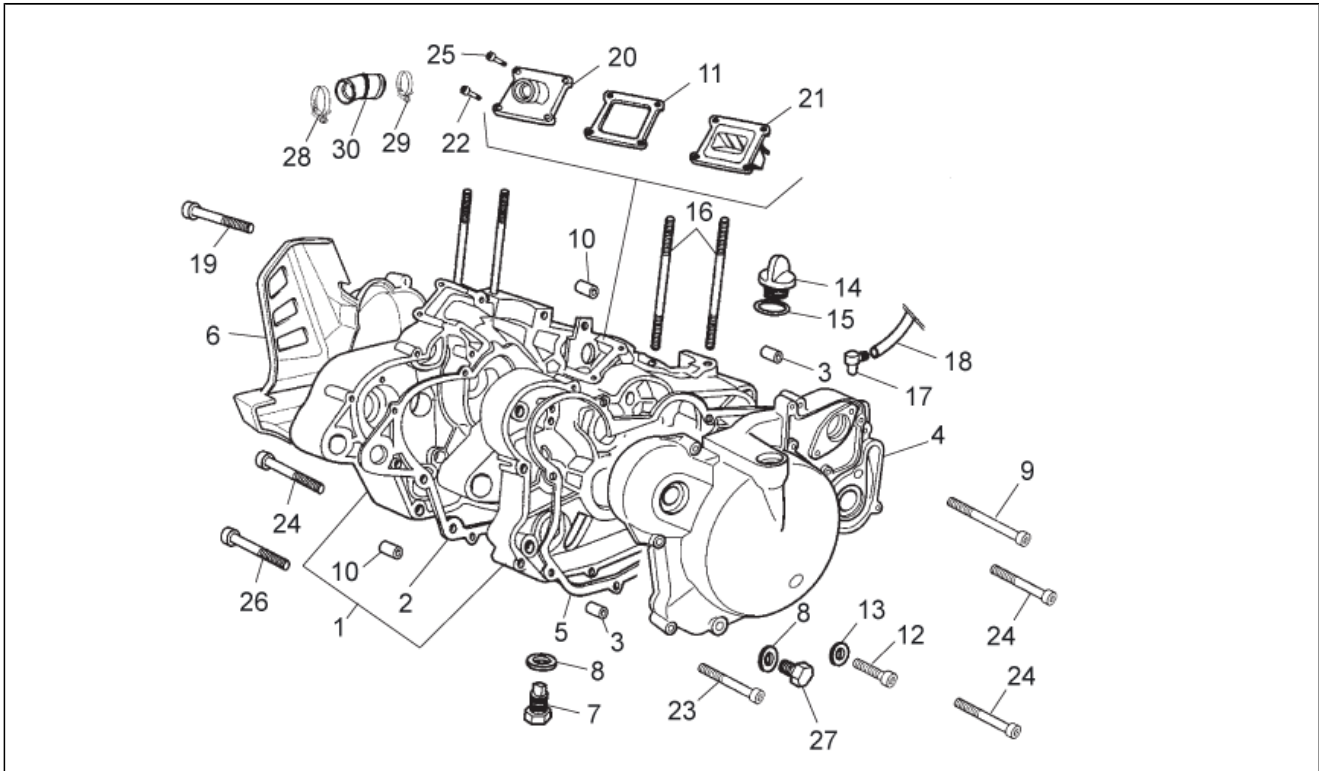
Pos.	Code	Description	Q.ty	Variants
1	847228	Washer	1	
2	CM149802	Screw	1	
3	847229	Circlip	1	
4	847074	Joint	1	
5	847232	Washer	1	
6	847061	Pinion Z=29	1	
7	847060	Spring	1	
8	847056	Pinion	1	
9	847062	Plate	1	
10	847057	Spring cable lever	1	
11	847058	Cup	1	
12	847330	Starter shaft	1	
13	847230	Washer	1	
14	847231	Circlip D22	1	
15	00H02902252	Starter lever	1	
16	00047030900	Safety washer	1	
17	00000036100	Washer	1	
18	00000061040	Ball 4,76	1	
19	00003127200	Spring	1	
20	00004162500	Screw 6M100X25	1	
21	00037000600	Safety washer D6	1	

<b>Assembly</b>	ENGINE
<b>Code</b>	29.20
<b>Description</b>	Crankcase
<b>Revision</b>	1



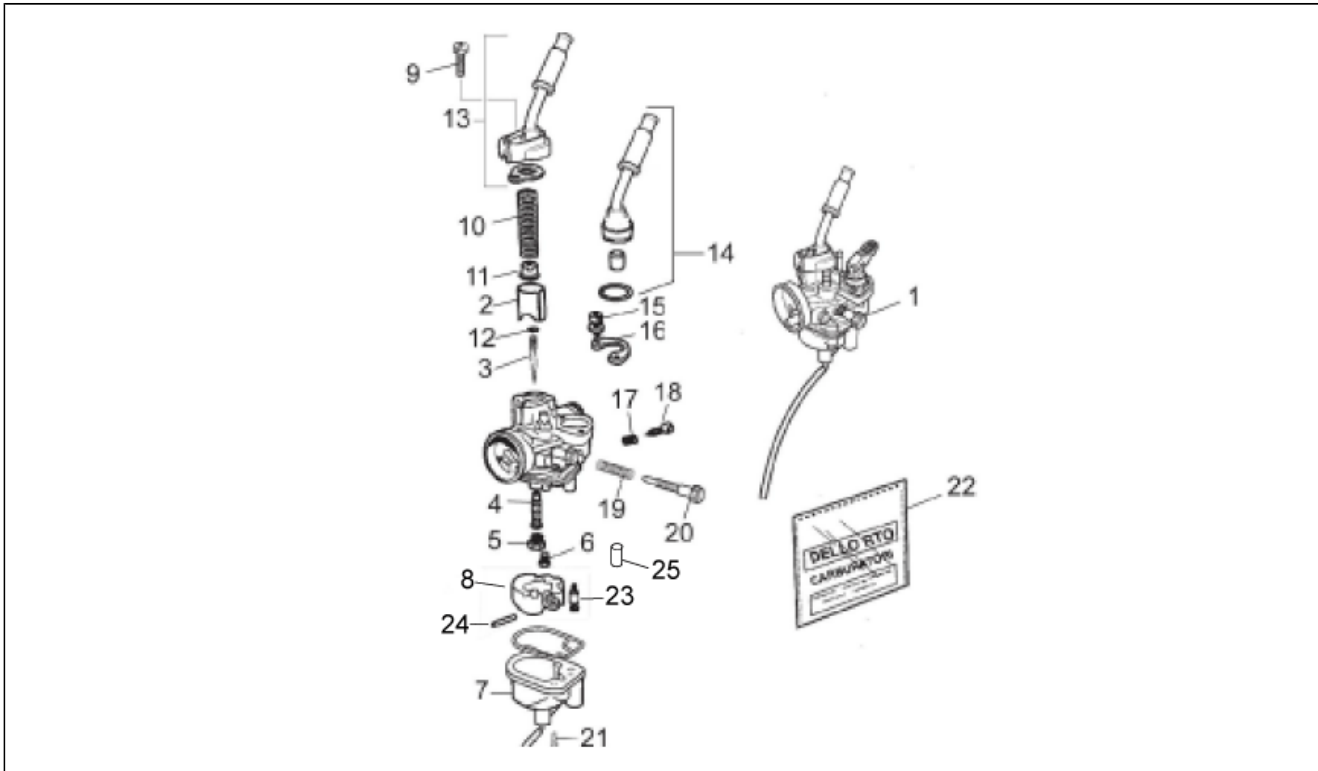
Pos.	Code	Description	Q.ty	Variants
1	CM1503015	Crankcase assy	1	
2	847022	Gasket	1	year:2006[6], 2008[8]
2	871730	Gasket	1	year:2009[9]
3	847241	Pin	2	
4	CM150703	Cover	1	
5	871930	Gasket	1	
6	861004	Sprocket cover	1	
7	847237	Screw	1	
8	847238	Washer	2	
9	CM149801	Screw 6M100X55	1	
10	847023	Ring nut	2	
11	847091	Gasket	1	
12	319446	Hex socket screw M6x10	1	
13	847239	Washer	1	
14	847087	Screw	1	
15	847180	O-ring	1	
16	847015	Stud bolt	4	year:2006[6], 2008[8]
16	877264	Stud bolt L=109	4	year:2009[9]
17	847024	Union	1	
18	00H03700461	Pipe	1	
19	00G03900821	Screw 6X30	3	
20	847093	Intake manifold	1	
21	873815	Reed valve assy	1	
22	CM149804	Screw 6X25	1	
23	CM149806	Screw	1	
24	414834	Screw w/ flange M6X25	4	year:2009[9]
24	CM149808	Screw	4	year:2006[6], 2008[8]
25	830487	Screw	1	

<b>Assembly</b>	ENGINE
<b>Code</b>	29.20
<b>Description</b>	Crankcase
<b>Revision</b>	1



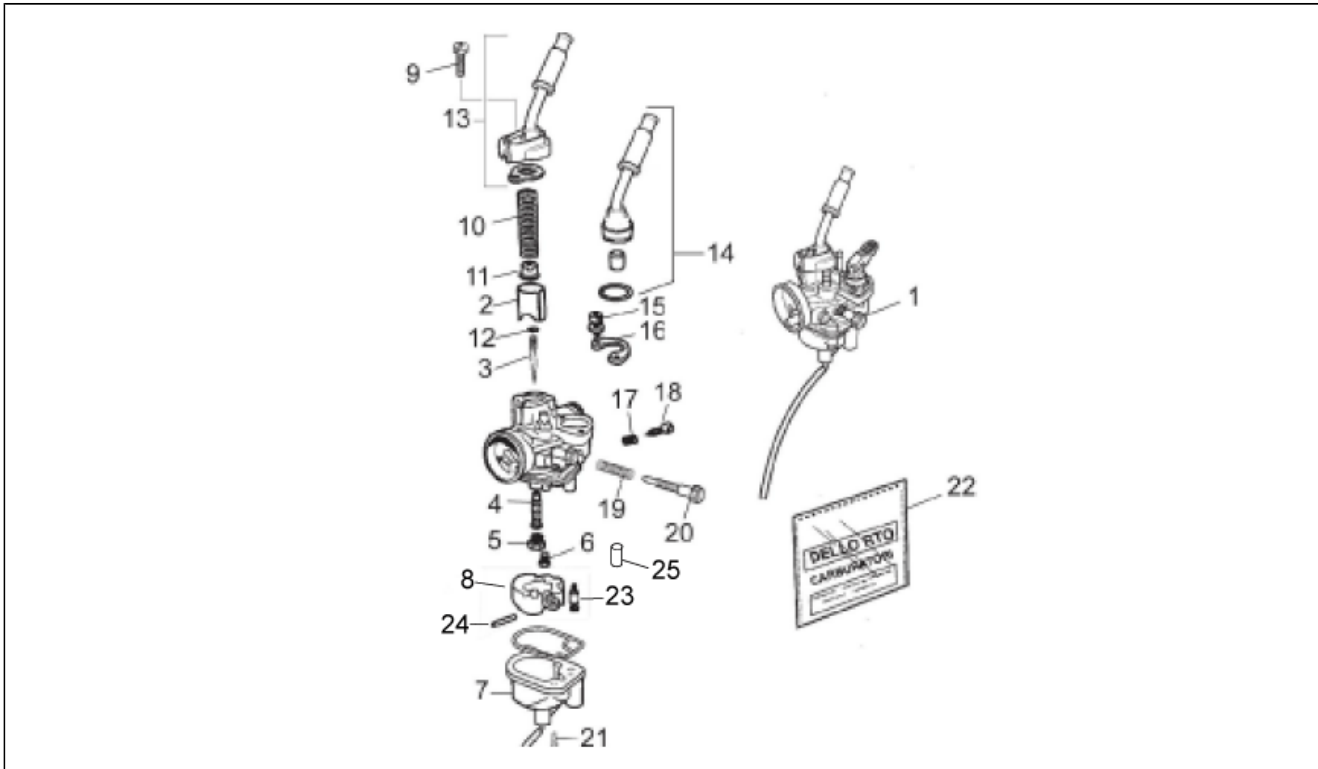
Pos.	Code	Description	Q.ty	Variants
26	00H03000091	Screw 6X50	1	
27	847174	Screw	1	
28	00H02501491	Hose clamp	1	
29	847096	Hose clamp	1	
30	871319	Hose	1	

<b>Assembly</b>	ENGINE
<b>Code</b>	29.21
<b>Description</b>	Carburettor
<b>Revision</b>	1



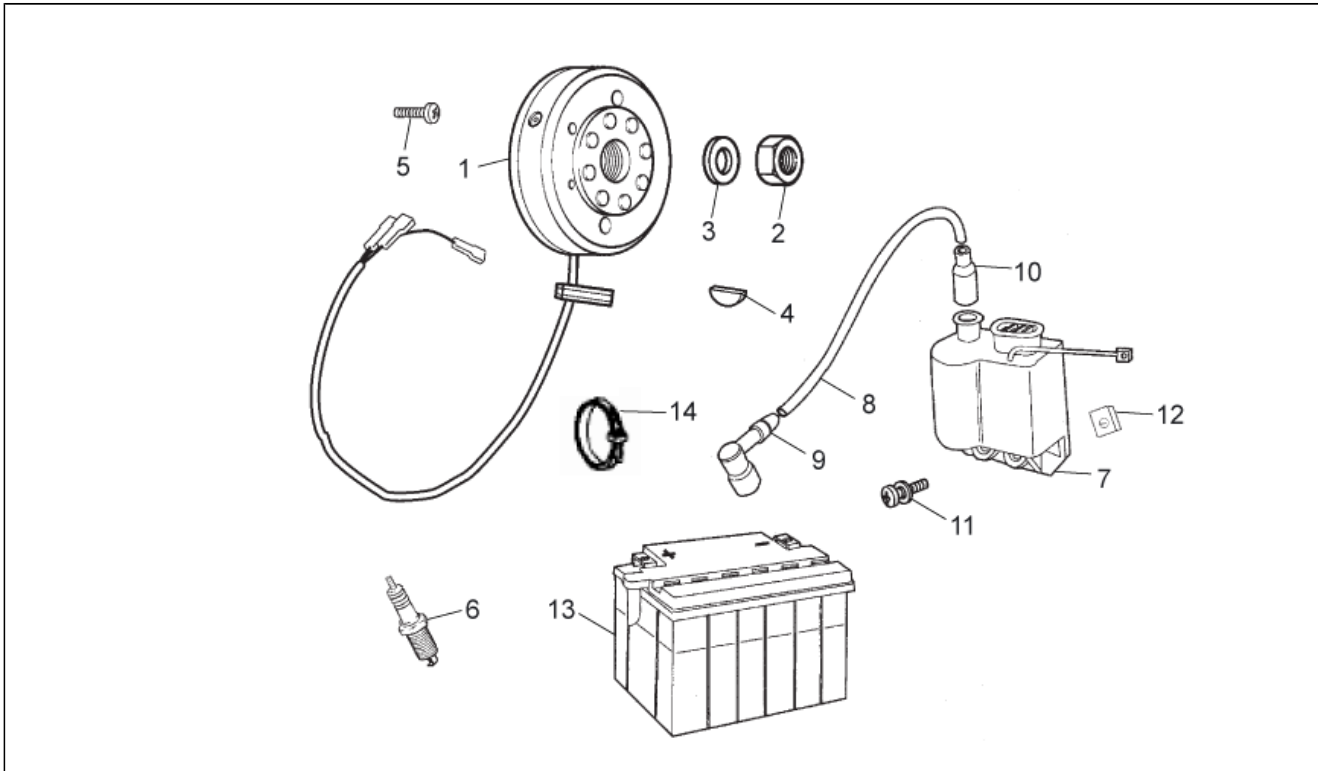
Pos.	Code	Description	Q.ty	Variants
1	CM152705	Carburettor	1	
2	CM141711	Gas valve	1	
3	00H03214431	Conical pin	1	year:2006[6], 2008[8]
3	AP8276033	Conical pin A13	1	Technical Specifications:Switzerland Version E3[kit]
3	CM107514	Conical pin	1	year:2009[9]
4	00H03206421	Needle valve	1	year:2006[6], 2008[8]
4	CM106229	Needle valve	1	year:2009[9]
5	CM101729	Main jet 78	1	
6	AP8206922	Idle jet 30	1	year:2006[6], 2008[8]
6	CM102101	Idle jet 30	1	year:2009[9]
7	484704	Float chamber cpl.	1	year:2006[6], 2008[8]
7	484704	Float chamber cpl.	1	year:2009[9]
8	00H03204281	Float	1	year:2006[6], 2008[8]
8	482916	Float cpl.	1	year:2009[9]
9	00G03200061	Screw	1	year:2006[6], 2008[8]
9	288865	Screw	1	year:2009[9]
10	00G03201071	Valve gas return spring	1	year:2006[6], 2008[8]
10	482942	Gas valve spring	1	year:2009[9]
11	00G03200511	Conical pin clip	1	year:2006[6], 2008[8]
11	288873	Conical pin clip	1	year:2009[9]
12	00G03201371	Conical pin clip	1	year:2006[6], 2008[8]
12	288872	Ring	1	year:2009[9]
13	00H03204231	Mixture chamber cover kit	1	
14	CM146203	Wire starter kit	1	
15	00G03200541	Screw	1	year:2006[6], 2008[8]
15	289575	Screw	1	year:2009[9]
16	00G03200551	Plate	1	year:2006[6], 2008[8]
16	288863	Plate	1	year:2009[9]

<b>Assembly</b>	ENGINE
<b>Code</b>	29.21
<b>Description</b>	Carburettor
<b>Revision</b>	1



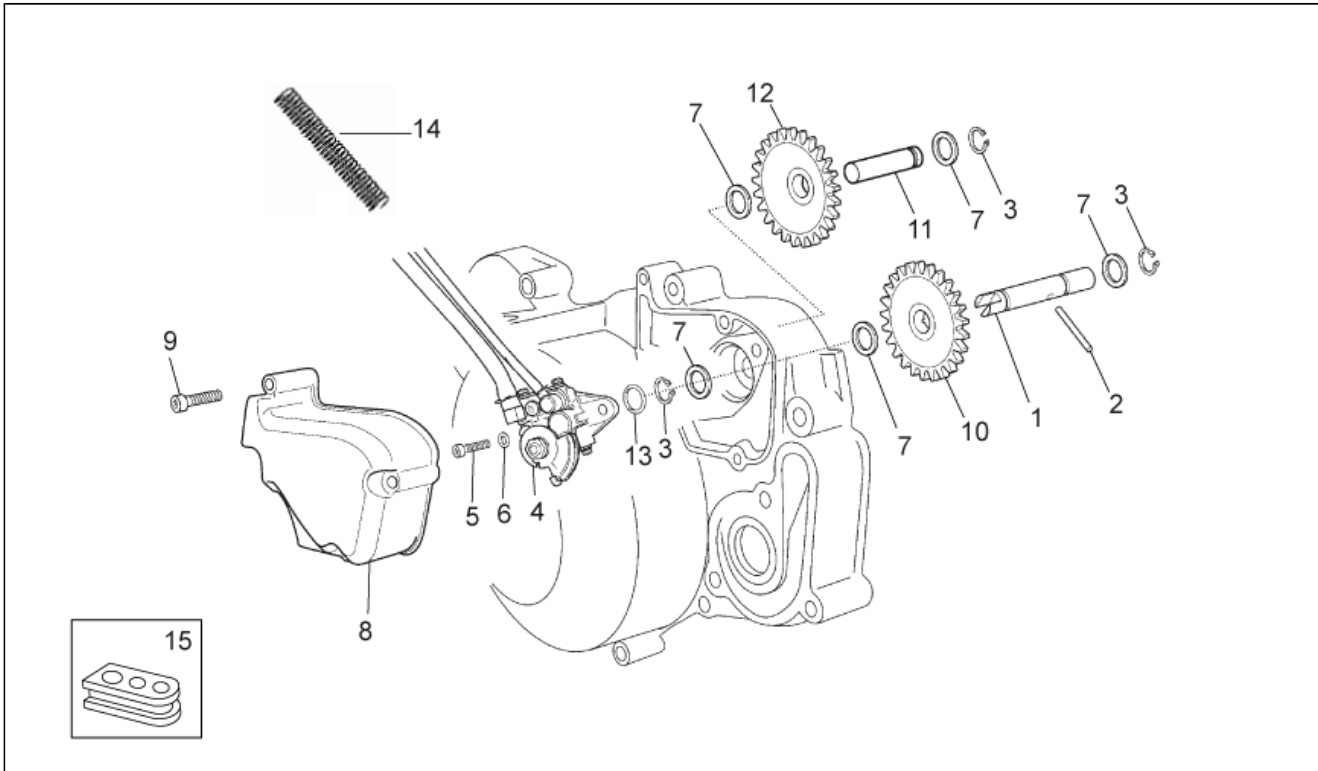
Pos.	Code	Description	Q.ty	Variants
17	00G03200721	Spring	1	
18	00G03200731	Air adj.screw cpl.	1	year:2006[6], 2008[8]
18	CM107701	Air adj.screw cpl.	1	year:2009[9]
19	00G03200101	Spring	1	
20	00G04102131	Gas valve adj.screw	1	year:2006[6], 2008[8]
20	828074	Gas valve adjuster screw	1	year:2009[9]
21	00G03201091	Screw	4	year:2006[6], 2008[8]
21	288862	Float chamber fixing screw	4	year:2009[9]
22	00H04103771	Gasket envelope	1	
23	CM128502	Fuel closing needle	1	year:2009[9]
24	288881	Float pin	1	year:2009[9]
25	CM106217	Diffuser	1	Technical Specifications:Switzerland Version E3[kit]

<b>Assembly</b>	ENGINE
<b>Code</b>	29.22
<b>Description</b>	Flywheel
<b>Revision</b>	1



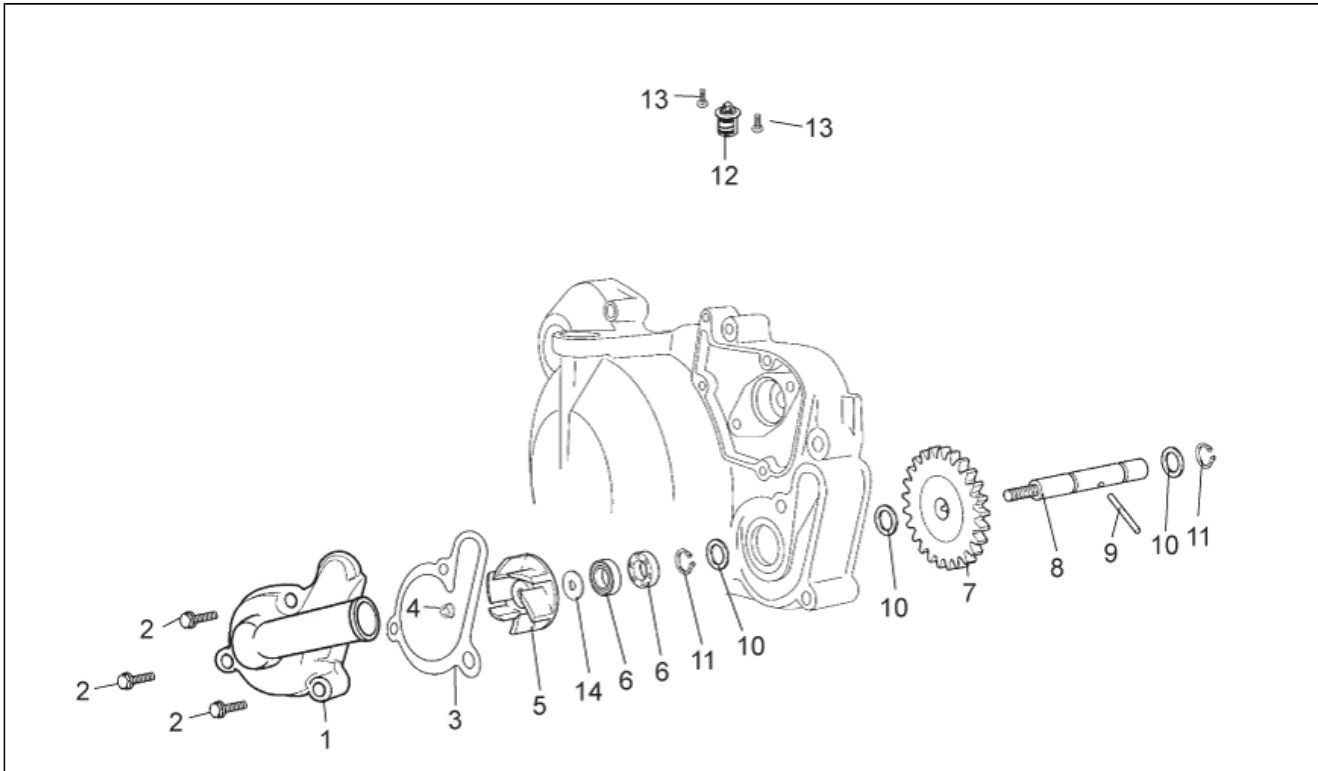
Pos.	Code	Description	Q.ty	Variants
1	82829R	Cdi magneto assy	1	
2	847235	Nut	1	
3	847234	Washer	1	
4	847215	Transmission key	1	
5	847233	Screw	1	
6	847085	Spark plug	1	year:2006[6], 2008[8]
6	861612	Spark plug NGK BR8ES	1	year:2009[9]
7	00H03330171	Coil	1	
8	00F03310741	HT wire	1	
9	00G03301271	Sparkplug cap	1	
10	00F03300731	Cap	1	
11	00G06800021	Screw	1	
12	00D01501371	Nut D6	1	
13	00G03301401	Battery 12V	1	
14	00F00900531	Hose clamp 290X4,8	1	

<b>Assembly</b>	ENGINE
<b>Code</b>	29.23
<b>Description</b>	Oil pump
<b>Revision</b>	1



Pos.	Code	Description	Q.ty	Variants
1	847052	Oil pump shaft assy.	1	
2	847184	Pin	1	
3	006408	Safety washer	2	year:2009[9]
3	847182	Safety washer D8	2	year:2006[6], 2008[8]
4	847055	Oil pump	1	
5	847227	Screw	1	
6	847226	Washer	1	
7	847183	Washer	5	
8	00H03706011	Cover	1	
9	00004154000	Screw	2	
10	847051	Gear Z=25	1	
11	847076	Shaft pin	1	
12	847053	Pinion Z13/24	1	
13	311163	Gasket	1	
14	00H03701511	Spring	3	
15	876733	Fairlead cpl.	1	

<b>Assembly</b>	ENGINE
<b>Code</b>	29.24
<b>Description</b>	Water pump
<b>Revision</b>	1



Pos.	Code	Description	Q.ty	Variants
1	CM150802	Water pump cover	1	
2	CM149805	Screw	3	
3	871688	Cover gasket	1	
4	847067	Nut	1	
5	847079	Impeller	1	
6	847077	Gasket ring	2	
7	847080	Pinion Z=32	1	
8	847078	Water pump shaft assy.	1	
9	847184	Pin	1	
10	847183	Washer	3	
11	006408	Safety washer	2	year:2009[9]
11	847182	Safety washer D8	2	year:2006[6], 2008[8]
12	483395	Thermostat	1	
13	018644	Screw m4x6	2	year:2009[9]
13	847176	Screw	2	year:2006[6], 2008[8]
14	847181	Washer	1	