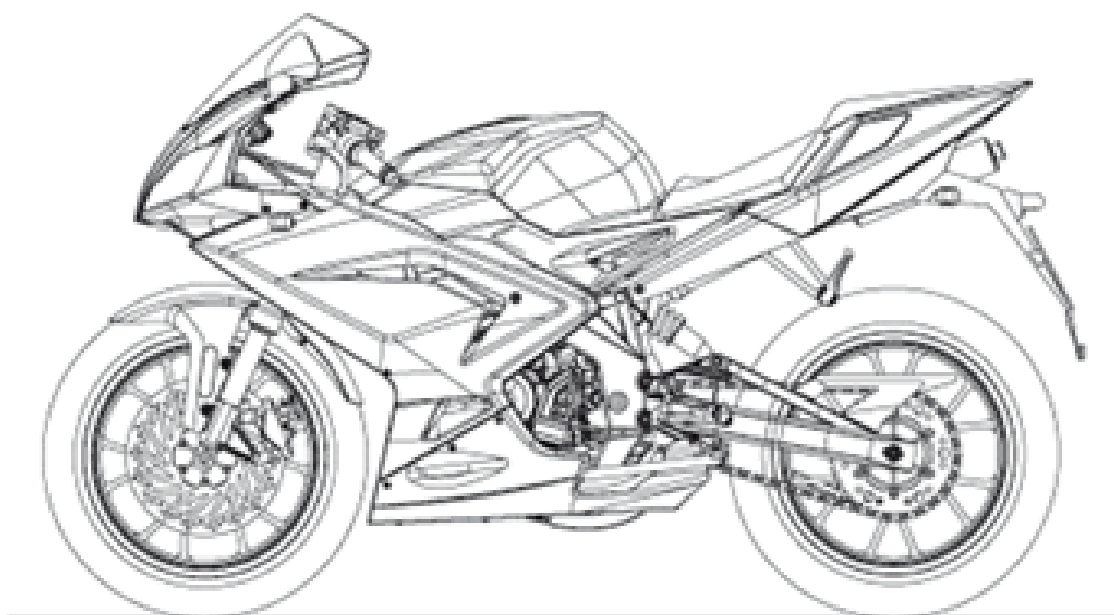




PIAGGIO & C.s.p.a.

**aprilia**

## SPARE PARTS CATALOGUE



### **RS 50 2006-2010**

Chassis prefix: ZD4PL, ZD4RG

Engine prefix:

## Index

Products.....	3
Part reference.....	4
FRAME.....	9
Drawing 28.01 - Frame - Cradle.....	9
Drawing 28.02 - Front fork Marzocchi.....	11
Drawing 28.03 - Front fork Paioli.....	13
Drawing 28.04 - Swing arm - Shock absorber.....	14
Drawing 28.05 - Fuel tank.....	15
Drawing 28.06 - Front body I.....	18
Drawing 28.07 - Front body II.....	21
Drawing 28.08 - Central body.....	23
Drawing 28.09 - Rear body.....	28
Drawing 28.10 - Controls.....	31
Drawing 28.11 - Dashboard.....	33
Drawing 28.12 - Front wheel.....	34
Drawing 28.13 - Rear wheel.....	35
Drawing 28.14 - Rear brake system.....	36
Drawing 28.15 - Exhaust unit.....	37
Drawing 28.16 - Air box.....	38
Drawing 28.17 - Electrical system.....	39
Drawing 28.18 - Lock hardware kit.....	41
Drawing 28.19 - Decal op.handbooks and plate set.....	42
ENGINE.....	43
Drawing 29.20 - Cylinder - Piston.....	43
Drawing 29.21 - Clutch.....	45
Drawing 29.22 - Selector.....	46
Drawing 29.23 - Gear box.....	47
Drawing 29.24 - Counterweight.....	49
Drawing 29.25 - Carters.....	50
Drawing 29.26 - Carburettor.....	52
Drawing 29.27 - Ignition unit.....	53
Drawing 29.28 - Oil pump.....	54
Drawing 29.29 - Water pump.....	55
Drawing 29.30 - Starter motor.....	56

## Products

Code	Validity
E92H59D610	
E92H59D611	
E92H59D630	
E92H59D631	
E92H59D680	
E92H59E610	
E92H59E630	
E92H59E680	
E92H59E730	
E92H59E830	
E92H59E880	
E92H59F610	
E92H59F611	
E92H59F612	
E92H59F630	
E92H59F680	
E92H59F730	
E92H59F731	
E92H59F732	
E92H59F830	
E92H59F831	
E92H59F832	
E92H59F880	
E92H59F881	
E92H59F882	
E92H59I610	
E92H59I630	
E92H59I680	
E92H59I730	
E92H59I830	
E92H59I880	
E92H59S881	

Code	Drawing Nr.	Pos.	Code	Drawing Nr.	Pos.	Code	Drawing Nr.	Pos.
0000000	29.26	2	00011041600	28.08	15	00D03700131	28.05	49
00000004160	28.12	13	00011051401	28.07	15	00D05900081	28.17	35
00000004510	29.23	24	00011051401	28.11	3	00F00900531	28.16	12
00000004645	28.05	46	00011241300	28.04	20	00F00900531	28.17	23
00000004845	28.15	7	00011241300	28.09	24	00F03300731	29.27	11
00000011416	28.08	13	00011941300	28.16	6	00F03310741	29.27	12
00000012415	28.17	27	00012162000	29.27	8	00F05900041	28.09	2
00000012516	28.10	11	00014041200	28.10	16	00F05900041	28.11	7
00000023040	28.07	26	00016041301	28.04	18	00G00400501	28.05	14
00000023040	28.09	10	00021010002	28.17	18	00G00400501	28.05	29
00000023051	28.07	23	00023108000	28.01	20	00G00803101	28.16	4
00000023060	28.05	38	00023108000	28.01	24	00G01001821	28.05	9
00000023060	28.07	9	00023108000	28.01	28	00G01500171	28.15	4
00000023060	28.11	8	00023108000	28.01	44	00G01504701	28.14	9
00000023060	28.13	12	00023108000	28.01	9	00G02102923	28.10	4
00000023060	28.14	11	00023108000	28.16	5	00G03200061	29.26	9
00000023060	28.15	15	00031105000	28.08	14	00G03200101	29.26	19
00000031050	28.04	21	00031106000	28.11	13	00G03200511	29.26	11
00000031050	28.07	22	00031106023	28.04	13	00G03200541	29.26	15
00000031050	28.09	19	00031107024	28.04	16	00G03200551	29.26	16
00000031050	28.09	25	00032015000	28.12	5	00G03200721	29.26	17
00000031050	28.09	5	00032015000	28.13	4	00G03201071	29.26	10
00000031050	29.23	25	00034001002	28.17	17	00G03201091	29.26	21
00000031060	28.05	37	00047030400	28.01	38	00G03201371	29.26	12
00000031060	29.27	9	00047030400	28.01	46	00G03204272	28.16	13
00000031070	28.05	3	00058020200	28.12	8	00G03301271	29.27	13
00000033040	29.23	25	00058020200	28.13	6	00G03302401	28.17	19
00000056205	28.01	2	00092063514	28.05	22	00G03701031	28.05	12
00000061061	28.01	14	00232080021	28.17	25	00G03702181	28.17	37
00002041050	29.23	24	00262080022	28.01	15	00G03702181	29.25	33
00002051251	28.18	4	00262080022	28.15	5	00G03900821	29.25	19
00002053051	28.14	15	00262100032	28.01	12	00G04102131	29.26	20
00002053051	28.18	3	00262100032	28.14	21	00G04401462	28.08	10
00002061011	28.10	32	00262120032	28.04	11	00G04401462	28.09	8
00002062011	28.15	14	00281101503	28.04	15	00G04401462	28.14	17
00002062011	28.15	2	00281141503	28.04	3	00G04403751	28.07	24
00002062011	29.22	9	00281141503	28.13	5	00G04403752	28.09	11
00002062511	28.05	7	00402060001	28.05	23	00G04700141	28.14	3
00002064011	28.05	33	00402060001	28.14	26	00G04702091	28.12	17
00002082021	28.18	18	00402080001	28.01	27	00G04702091	28.13	18
00002083001	28.01	23	00402080001	28.01	8	00G05100911	28.15	16
00002083001	28.10	3	00402080001	28.17	26	00G06201061	28.05	18
00002084011	28.01	7	00402100001	28.01	11	00G06300671	28.08	7
00003515370	28.05	52	00402100001	28.04	14	00G06800021	28.17	30
00003515370	28.09	18	00402100001	28.14	20	00G06800211	28.14	19
00004062200	28.10	31	00442080002	28.01	19	00H00102961	28.04	8
00004111000	28.04	9	00A02100591	28.07	7	00H00105672	28.01	30
00004154000	28.10	6	00D00900531	28.14	25	00H00105702	28.01	29
00004154000	29.28	9	00D00900531	28.17	22	00H00108341	28.01	17
00004163500	28.10	13	00D00900531	28.17	24	00H00200701	28.02	13
00004184001	28.01	18	00D01000701	28.10	28	00H00200721	28.02	6
00005010760	28.10	29	00D01100201	28.14	14	00H00200831	28.02	20
00005551290	28.19	3	00D01200171	28.01	5	00H00201441	28.02	11
00006082000	28.01	31	00D01200171	28.09	12	00H00202231	28.02	14
00006082000	28.15	3	00D01500471	28.05	36	00H00203471	28.02	12
00006083000	28.01	32	00D01500552	28.05	34	00H00203761	28.01	45
00006309260	28.10	19	00D01501371	28.05	24	00H00206501	28.02	5
00006321040	28.10	20	00D01501371	28.05	6	00H00207601	28.02	17
00006321040	28.14	10	00D01501371	28.08	18	00H00210151	28.02	10
00008051200	28.07	21	00D01501371	28.09	3	00H00235001	28.02	1
00008051600	28.09	6	00D01501371	28.11	6	00H00300672	28.12	6
00008062000	28.07	10	00D01501371	28.17	31	00H00302651	28.04	4
00008064500	28.05	2	00D01501371	29.27	10	00H00303231	28.04	6
00008915020	28.05	35	00D02600631	28.07	16	00H00303401	28.04	5
00011031401	28.09	4	00D02600631	28.07	25	00H00306411	28.04	2
00011031401	28.17	42	00D02600631	28.09	7	00H00322971	28.04	1
00011041600	28.07	12	00D03700131	28.05	16	00H00400351	28.11	2

Code	Drawing Nr.	Pos.	Code	Drawing Nr.	Pos.	Code	Drawing Nr.	Pos.
00H00400501	28.05	20	00H01301311	28.14	18	00H02800421	29.23	23
00H00402581	28.05	4	00H01301831	28.14	4	00H02805371	29.23	22
00H00403581	28.05	10	00H01302491	28.13	15	00H02810421	29.23	23
00H00406321	28.05	17	00H01306171	28.13	14	00H02813371	29.23	22
00H00500251	28.16	3	00H01306201	28.13	3	00H03000272	28.01	10
00H00508071	28.09	16	00H01306811	28.13	13	00H03204231	29.26	13
00H00508071	28.09	16	00H01308091	28.13	7	00H03204281	29.26	8
00H00508071	28.09	16	00H01308181	28.13	10	00H03206201	29.26	7
00H00508081	28.09	15	00H01309531	28.13	8	00H03206421	29.26	4
00H00508081	28.09	15	00H01310381	28.13	1	00H03208251	28.16	8
00H00508081	28.09	15	00H01323031	28.13	11	00H03209261	28.16	11
00H00601931	28.18	14	00H01323321	28.13	2	00H03302551	28.17	21
00H00602931	28.18	16	00H01500421	28.04	10	00H03330171	29.27	7
00H00603141	28.18	15	00H01500491	28.04	7	00H03405321	28.15	9
00H00604871	28.09	13	00H01501131	28.01	22	00H03406061	28.15	10
00H00604871	28.09	13	00H01501211	28.13	17	00H03430411	28.15	6
00H00624011	28.09	9	00H01501701	28.07	6	00H03700111	28.05	28
00H00624011	28.09	9	00H01501701	28.09	17	00H03700131	28.14	7
00H00624011	28.09	9	00H01501811	28.07	20	00H03700131	28.16	7
00H00700321	28.07	8	00H01503701	28.07	5	00H03701411	28.05	27
00H00702051	28.07	27	00H01504051	28.05	5	00H03702061	28.05	25
00H00706381	28.09	26	00H01504121	28.01	21	00H03702461	28.16	14
00H00707121	28.09	23	00H01504301	28.01	16	00H03706011	29.28	8
00H00717341	28.09	27	00H01507091	28.01	33	00H03706081	28.05	21
00H00800422	28.01	41	00H01507451	28.01	34	00H03711461	29.25	18
00H00805072	28.01	40	00H01509181	28.04	17	00H03800722	28.14	16
00H00827011A	28.01	39	00H01515201	28.13	16	00H03800861	28.05	48
00H00900551	28.10	25	00H01516191	28.04	12	00H03801701	28.05	40
00H00902071	28.10	22	00H01600911	28.10	5	00H03801961	28.05	11
00H00902261	28.14	24	00H01602661	28.11	12	00H03801961	28.05	50
00H00902471	28.10	1	00H01615051	28.11	11	00H03802091	28.05	42
00H00902481	28.10	2	00H01702011	28.17	39	00H03802091	28.05	43
00H00903081	28.10	7	00H01702531	28.17	15	00H03802461	28.15	10
00H00904291	28.10	24	00H01702541	28.17	16	00H03802472	28.05	31
00H00904651	28.10	27	00H01800171	28.07	17	00H03802751	28.05	45
00H00907201	28.10	17	00H01800621	28.16	9	00H03803491	28.05	39
00H00921301	28.10	26	00H01801021	28.06	13	00H03803501	28.05	30
00H00922751	28.10	18	00H01801031	28.06	12	00H03807041	28.05	41
00H00932171	28.10	10	00H01801161	28.07	3	00H03807491	28.05	51
00H01000541	28.10	30	00H01802161	28.07	1	00H03809011	28.05	32
00H01000541	28.17	28	00H01803161	28.07	2	00H03813021	28.05	44
00H01000681	28.17	10	00H01803471	28.17	20	00H04103771	29.26	22
00H01001371	28.17	11	00H01806331	28.04	19	00H04400111	28.04	22
00H01001911	28.17	36	00H01809331	28.04	23	00H04400711	28.05	15
00H01002821	28.14	27	00H01810541A	28.16	1	00H04400711	28.09	20
00H01003131	28.17	41	00H01979601	28.01	1	00H04402971	28.08	5
00H01003951	28.17	9	00H02006541	28.02	4	00H04402981	28.08	6
00H01004131	28.17	13	00H02101631	28.10	8	00H04419771	28.09	21
00H01005311	28.17	29	00H02101901	28.10	9	00H04419781	28.09	22
00H01008841	28.17	34	00H02102191	28.10	14	00H04700121	28.12	16
00H01011321	28.17	8	00H02102861	28.10	15	00H04700121	28.14	2
00H01100221	28.14	23	00H02108611	28.10	21	00H04700171	28.12	15
00H01100541	28.14	12	00H02111081	28.10	12	00H04703171	28.12	18
00H01101211	28.14	6	00H02200591	28.05	47	00H04704141	28.12	14
00H01104611	28.14	13	00H02200591	28.10	33	00H04901291	28.01	36
00H01104701	28.14	8	00H02201731	28.15	8	00H04901731	28.01	4
00H01105181	28.14	5	00H02202301	28.01	26	00H04902291	28.01	43
00H01105581	28.14	1	00H02202311	28.01	25	00H04902311	28.01	35
00H01113081	28.14	22	00H02205461	28.08	11	00H04903401	28.01	37
00H01201331	28.12	7	00H02306241	28.11	5	00H05102011	28.19	2
00H01203291	28.12	4	00H02402282	28.12	11	00H05161121	28.19	6
00H01205031	28.12	9	00H02402282	28.13	9	00H05906521	28.08	12
00H01205271	28.12	3	00H02500272	28.01	13	00H06101251	28.09	14
00H01207191	28.12	12	00H02501491	29.25	32	00H06202061	28.05	19
00H01212841	28.12	1	00H02701271	28.14	28	00H06300401	28.01	3
00H01215021	28.12	10	00H02701271	29.22	10	00H06300771	28.05	8
00H01221111	28.12	2	00H02706421	29.22	2	00H06300791	28.18	17

Code	Drawing Nr.	Pos.	Code	Drawing Nr.	Pos.	Code	Drawing Nr.	Pos.
00H06300861	28.08	19	847077	29.29	6	8472625004	29.20	2
00H06300901	28.15	11	847078	29.29	8	847275	29.24	8
00H06301171	28.16	2	847079	29.29	5	847276	29.24	7
00H06400101	28.16	10	847080	29.29	7	8475085	29.20	1
00H10408181	28.05	13	847082	29.29	3	847529	29.20	17
311163	29.28	13	847083	29.21	18	847541	29.23	16
319446	29.25	12	847084	29.25	5	847542	29.23	14
436947	29.20	14	847085	29.27	6	847544	29.23	2
483395	29.29	12	847086	29.23	3	847545	29.23	18
584521	28.17	32	847087	29.25	14	847546	29.23	17
623920	29.21	9	847090	29.21	22	847547	29.23	34
828152	29.25	25	847091	29.25	11	847548	29.23	15
82835R	29.21	10	847092	29.25	21	847549	29.23	11
847006	29.20	3	847093	29.25	20	847550	29.23	13
847007	29.20	18	847094	29.25	30	848019	29.25	28
847008	29.20	15	847096	29.25	31	848501	29.25	2
847009	29.20	7	847153	29.23	7	852072	28.18	5
847010	29.20	10	847154	29.23	21	852073	28.18	2
847012	29.20	4	847155	29.23	9	852074	28.18	7
847013	29.24	4	847156	29.23	10	856920	28.11	10
847014	29.20	8	847157	29.23	8	860321	28.06	14
847015	29.25	16	847158	29.23	30	860449	28.19	5
847016	29.24	5	847159	29.23	35	860450	28.19	5
847017	29.24	3	847172	29.20	12	860974	28.17	14
847018	29.23	38	847174	29.25	27	860975	28.17	38
847019	29.23	19	8471755	29.20	1	861004	29.25	6
847020	29.20	11	847176	29.29	13	861026	28.01	6
847020	29.20	13	847178	29.20	5	861029	28.18	1
847021	29.23	4	847180	29.25	15	861037	28.08	17
847023	29.25	10	847181	29.29	14	861042	28.17	1
847024	29.25	17	847182	29.28	3	861205	28.10	23
847026	29.20	9	847182	29.29	11	861414	28.15	1
847027	29.23	1	847183	29.28	7	86141500W00	28.12	1
847028	29.23	6	847183	29.29	10	86141500W05	28.12	1
847029	29.23	36	847184	29.28	2	86141500W06	28.12	1
847030	29.23	27	847184	29.29	9	86141600W00	28.13	1
847031	29.23	37	847209	29.23	20	86141600W05	28.13	1
847032	29.23	26	847210	29.23	5	86141600W06	28.13	1
847034	29.23	31	847211	29.23	12	86142200WG3	28.06	1
847036	29.23	32	847213	29.23	33	86142300WB0	28.08	1
847038	29.23	29	847213	29.24	2	86142300WN1	28.08	1
8470395	29.21	1	847214	29.23	28	86142400WB0	28.08	2
847040	29.21	11	847215	29.20	16	86142400WN1	28.08	2
8470415	29.21	23	847215	29.27	4	86142500W2G	28.08	3
847042	29.21	12	847217	29.21	2	86142600W2G	28.08	4
847043	29.21	7	847218	29.21	4	86142800WNO	28.07	4
847044	29.21	8	847220	29.21	5	86142800WN1	28.07	4
847045	29.21	3	847221	29.21	6	86142900WG3	28.09	1
847046	29.21	13	847223	29.21	21	86143000W02	28.09	9
847047	29.21	14	847224	29.21	15	86143000W04	28.09	9
847048	29.21	16	847225	29.21	17	86143300WG3	28.06	1
847049	29.24	6	847226	29.28	6	861450	28.19	6
847050	29.24	1	847227	29.28	5	861451	28.19	6
847051	29.28	10	847228	29.22	8	861452	28.19	6
847052	29.28	1	847233	29.27	5	861508	28.15	12
847053	29.28	12	847234	29.27	3	86155700W1B	28.06	13
847055	29.28	4	847235	29.27	2	86155700WNO	28.06	13
847065	29.27	1	847236	29.22	1	86155700WNO	28.06	13
8470665	29.30	6	847237	29.25	7	86155700WRO	28.06	13
847067	29.29	4	847238	29.25	8	86155800W1B	28.06	12
847068	29.22	6	847239	29.25	13	86155800WNO	28.06	12
847069	29.22	4	847241	29.25	3	86155800WNO	28.06	12
847070	29.22	5	847241	29.30	5	86155800WRO	28.06	12
847073	29.22	3	847261	29.30	4	861627	28.02	2
847075	29.21	19	8472625001	29.20	2	861628	28.02	3
847075	29.22	7	8472625002	29.20	2	861629	28.02	7
847076	29.28	11	8472625003	29.20	2	861630	28.02	8

Code	Drawing Nr.	Pos.	Code	Drawing Nr.	Pos.	Code	Drawing Nr.	Pos.
861631	28.02	9	86552900WN05	28.08	1	897900	28.19	5
861632	28.02	15	86552900WR05	28.08	1	942577	28.17	33
861633	28.02	16	86553100WB05	28.08	2	96921R	29.30	1
861634	28.02	18	86553100WN05	28.08	2	96922R	29.30	8
861635	28.02	19	86553100WR05	28.08	2	AP8102341	28.06	6
861636	28.02	21	865589	28.03	21	AP8102632	28.06	2
861962	28.19	1	866354	28.01	48	AP8102633	28.06	3
862045	28.05	26	86663100WN0	28.09	1	AP8102909	28.06	5
86238200WN0	28.05	1	86663101WN05	28.09	1	AP8120893	28.18	9
862567	28.11	9	86663200WN0	28.05	1	AP8121184	28.06	8
86288900WB0	28.19	5	86663300WN0	28.08	1	AP8121795	28.08	9
86288900WN1	28.19	5	86663400WN0	28.08	2	AP8127656	28.17	14
863001	28.01	42	86663500W3R	28.08	3	AP8127657	28.17	38
863002	28.01	47	86663600W3R	28.08	4	AP8127746	28.17	2
86302500WRO	28.08	1	86663700W3R	28.06	13	AP8127847	28.17	4
86302500WRO	28.08	1	86663800W3R	28.06	12	AP8140710	28.18	6
86302600WRO	28.08	2	86663900WRO	28.06	1	AP8144159	28.18	8
86302600WRO	28.08	2	86664000W06	28.06	4	AP8144563	28.07	19
86302700WRO	28.06	1	86664001W06	28.06	4	AP8144564	28.06	11
86302801WRO	28.05	1	86664100W0N	28.09	15	AP8144565	28.06	7
86302801WRO	28.05	1	86664200W0N	28.09	16	AP8144616	28.07	18
86302900WRO	28.09	1	86704100WB25	28.08	1	AP8150413	28.06	10
86303000WN0	28.06	13	86704200WB25	28.08	2	AP8152194	28.18	12
86303000WN0	28.06	13	86704300W0N5	28.08	3	AP8152246	28.06	9
86303100WN0	28.06	12	86704400W0N5	28.08	4	AP8152298	28.08	8
86303100WN0	28.06	12	86704500WB25	28.06	1	AP8166959	28.06	14
86303200WRO	28.07	4	86704600WN35	28.09	1	AP8166959	28.06	14
86303200WRO	28.07	4	86704700WB25	28.05	1	AP8179181	28.06	4
86303301W06	28.06	4	86706000WB25	28.07	4	AP8179271	28.17	5
86303400W2G	28.08	3	86706000WR05	28.07	4	AP8201305	28.18	13
86303400W2G	28.08	3	86720200WB05	28.05	1	AP8201748	28.18	10
86303500W2G	28.08	4	86720300WB05	28.08	1	AP8201749	28.18	11
86303500W2G	28.08	4	86720400WB05	28.08	2	AP8202449	28.07	11
86303600WRO	28.19	5	86720500W3R5	28.08	3	AP8202449	28.08	16
86303700W02	28.09	13	86720600W3R5	28.08	4	AP8206901	29.26	5
86303700W08	28.09	13	86720700WR05	28.06	1	AP8206922	29.26	6
86329800WN1	28.05	1	86720900W3R5	28.06	13	AP8212588	28.17	3
86329900WB0	28.05	1	86721000W3R5	28.06	12	AP8220150	28.11	4
863763	28.15	6	8770700001	29.20	2	AP8224586	28.17	6
863779	28.17	40	8770700002	29.20	2	AP8224646	28.17	6
863785	28.15	1	8770700003	29.20	2	AP8224656	28.17	7
863841	28.19	4	8770700004	29.20	2	AP8224657	28.17	12
86461400WRO	28.09	1	890213	28.17	15	AP8224666	28.17	2
86461500WRO	28.06	1	890214	28.17	16	CM101729	29.26	5
86461600W06	28.06	4	895247	28.19	5	CM101747	29.26	5
86461700WRO	28.19	5	896516	28.03	1	CM106214	29.26	23
864660	28.17	34	896517	28.03	2	CM107506	29.26	3
864693	28.11	1	896518	28.03	3	CM107514	29.26	3
865092	28.15	13	896519	28.03	4	CM107701	29.26	18
86510900WRO	28.05	1	896520	28.03	5	CM146203	29.26	14
86511000WN0	28.07	4	896521	28.03	6	CM149801	29.25	9
86511000WN0	28.07	4	896522	28.03	10	CM149802	29.25	29
86511100WN0	28.06	1	896523	28.03	11	CM149803	29.30	2
86511100WRO	28.06	1	896524	28.03	13	CM149804	29.25	22
86511200WB0	28.08	1	896525	28.03	16	CM149805	29.29	2
86511200WN0	28.08	1	896526	28.03	17	CM149805	29.30	7
86511300WB0	28.08	2	896527	28.03	18	CM149806	29.25	23
86511300WN0	28.08	2	896528	28.03	7	CM149808	29.25	24
86511400WOR	28.08	3	896529	28.03	8	CM149809	29.25	26
86511400W3R	28.08	3	896530	28.03	9	CM1503035	29.25	1
86511500WOR	28.08	4	896531	28.03	12	CM150704	29.25	4
86511500W3R	28.08	4	896532	28.03	14	CM150802	29.29	1
86511600WB0	28.09	1	896533	28.03	15	CM151201	29.21	20
86511600WN0	28.09	1	896534	28.03	19	CM151901	29.20	6
86513300W06	28.06	4	896535	28.03	20	CM152704	29.26	1
86513300W06	28.06	4	896548	28.18	19	CM152705	29.26	1
86552900WB05	28.08	1	896827	28.19	5	CM159501	29.20	8



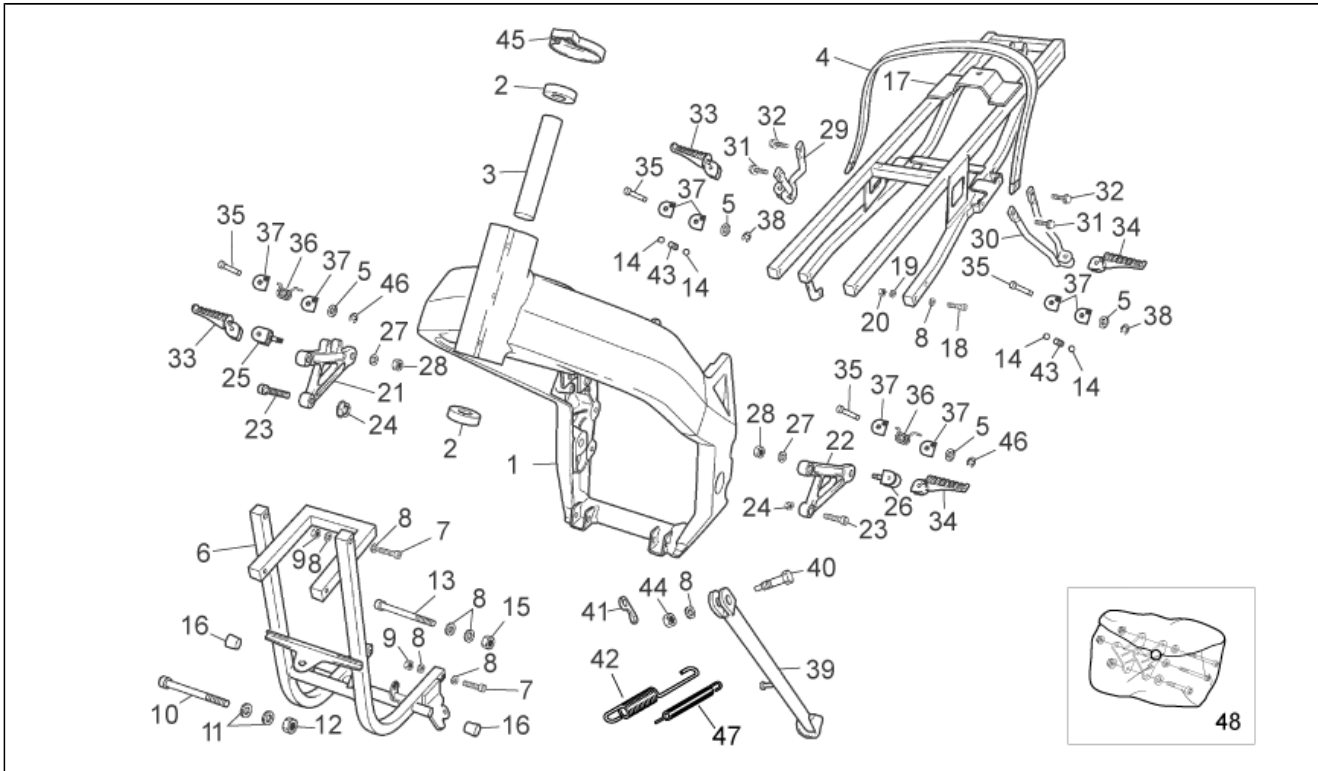
RS 50  
3246 - RS 50 2006-2010

Chassis prefix: ZD4PL, ZD4RG  
Engine prefix:

---

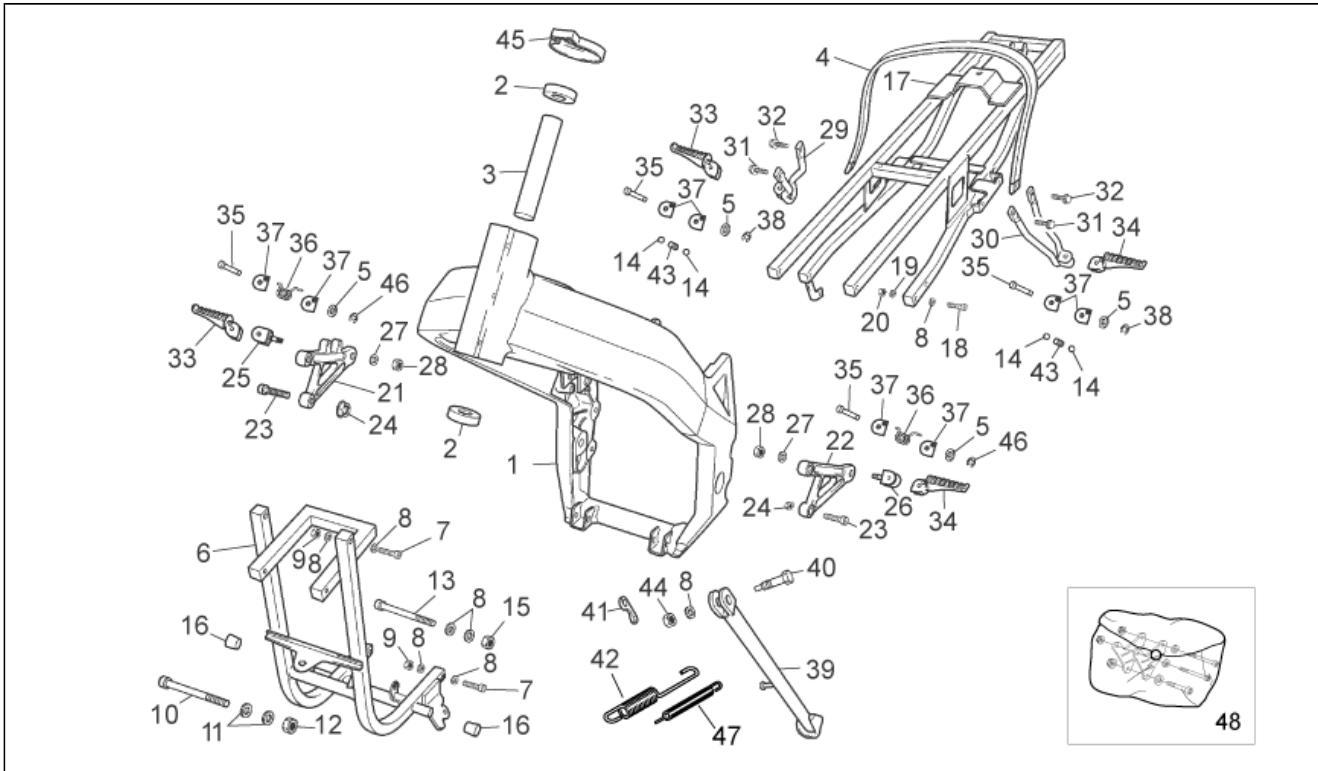
Code	Drawing Nr.	Pos.
CM159502	29.20	8
cm159503	29.20	8

<b>Assembly</b>	FRAME
<b>Code</b>	28.01
<b>Description</b>	Frame - Cradle
<b>Revision</b>	1



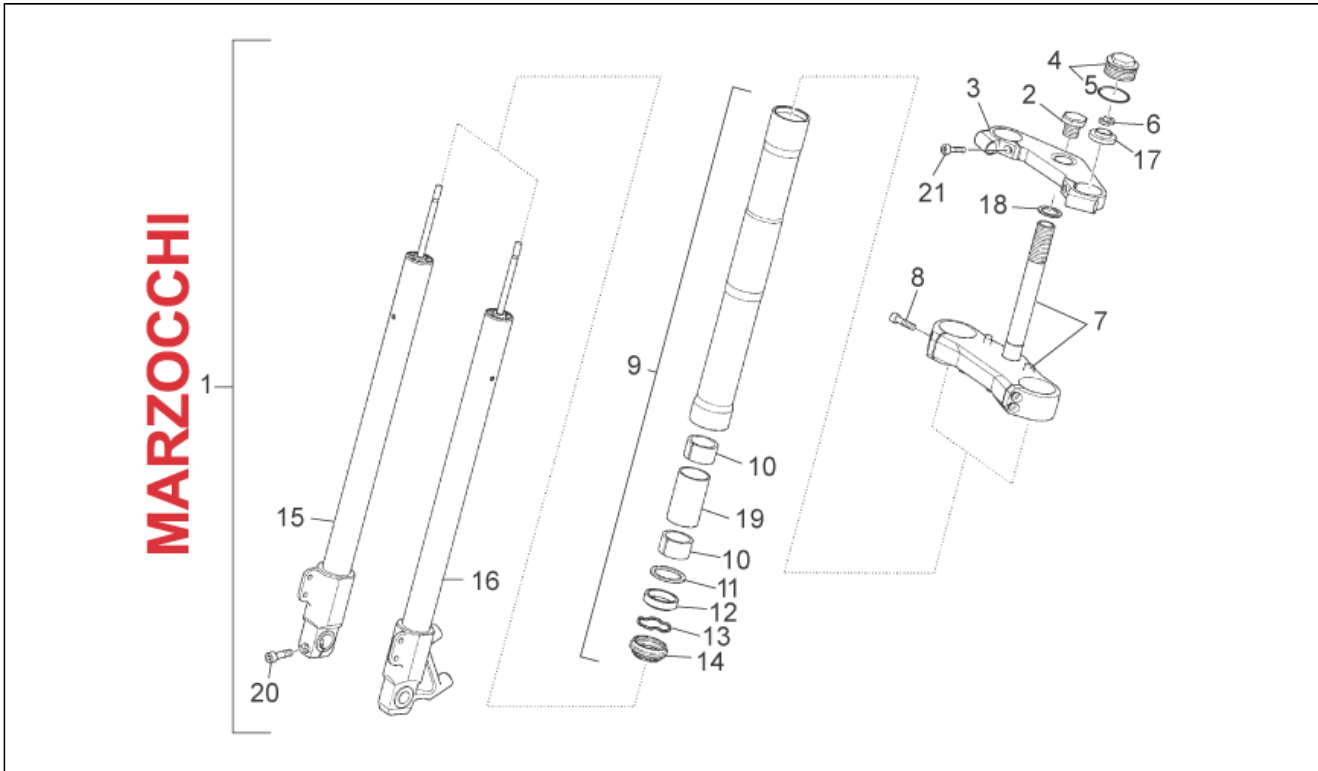
Pos.	Code	Description	Q.ty	Variants
1	00H01979601	Frame	1	
2	00000056205	Bearing	2	
3	00H06300401	Pipe	1	
4	00H04901731	Battery handle	1	
5	00D01200171	Washer D6	4	
6	861026	Front frame	1	
7	00002084011	Screw	2	
8	00402080001	Washer D8	8	
9	00023108000	Nut M8x125	2	
10	00H03000272	Screw 10M150X100	1	
11	00402100001	Washer	2	
12	00262100032	Nut 10M150	1	
13	00H02500272	Screw 8M125X90	1	
14	00000061061	Ball	4	
15	00262080022	Nut 8M125	1	
16	00H01504301	Plug	2	
17	00H00108341	Saddle support	1	
18	00004184001	Screw	1	
19	00442080002	Washer	1	
20	00023108000	Nut M8x125	1	
21	00H01504121	RH front footrest bracket	1	
22	00H01501131	LH front footrest bracket	1	
23	00002083001	Screw	2	
24	00023108000	Nut M8x125	2	
25	00H02202311	RH support	1	
26	00H02202301	LH support	1	
27	00402080001	Washer D8	2	
28	00023108000	Nut M8x125	2	

<b>Assembly</b>	FRAME
<b>Code</b>	28.01
<b>Description</b>	Frame - Cradle
<b>Revision</b>	1



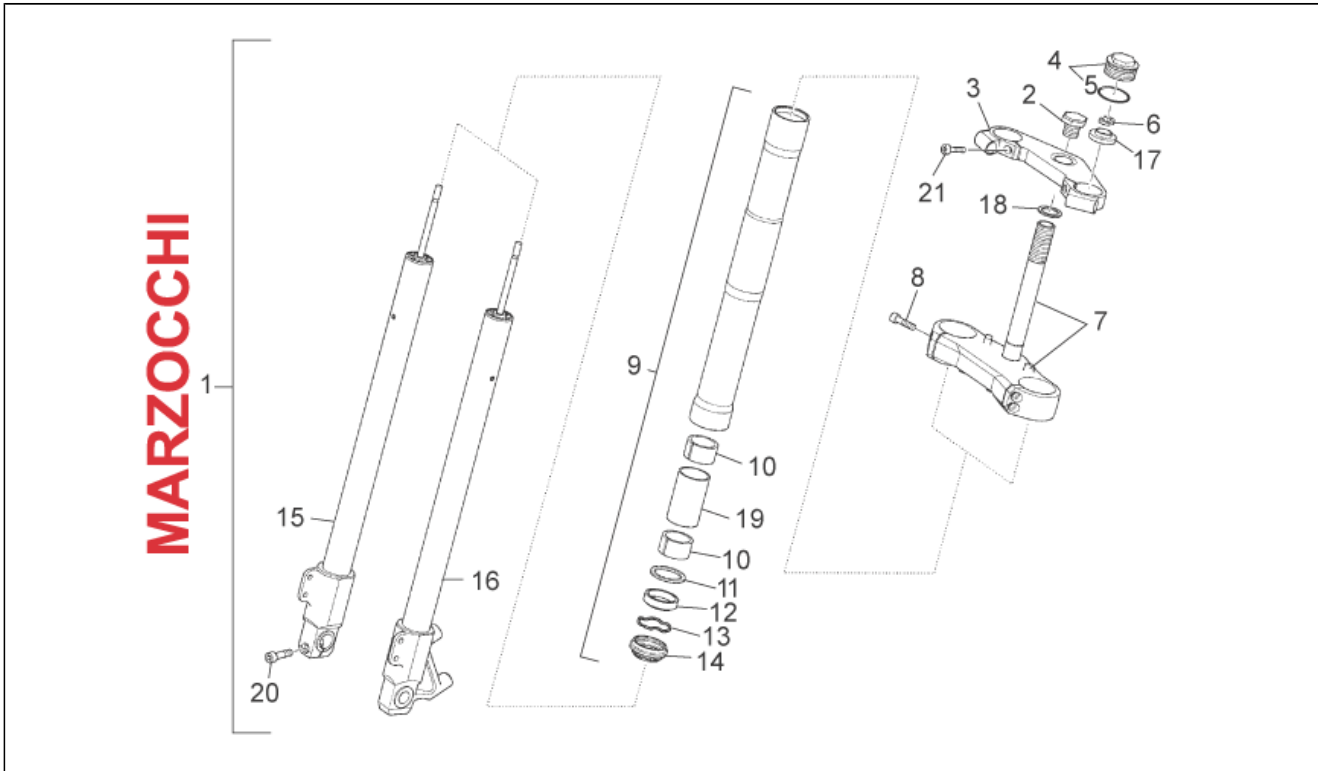
Pos.	Code	Description	Q.ty	Variants
29	00H00105702	RH footrest support	1	
30	00H00105672	LH footrest support	1	
31	00006082000	Screw	2	
32	00006083000	Screw	2	
33	00H01507091	RH footrest	2	
34	00H01507451	LH footrest	2	
35	00H04902311	Pin	4	
36	00H04901291	Spring	2	
37	00H04903401	Footrest plate	8	
38	00047030400	Stop ring D4	2	
39	00H00827011A	Lateral stand	1	
40	00H00805072	Stand pin	1	
41	00H00800422	Plate	1	
42	863001	Outer spring	1	
43	00H04902291	Spring	2	
44	00023108000	Nut M8x125	1	
45	00H00203761	Plug	1	
46	00047030400	Stop ring D4	2	
47	863002	Inner spring	1	
48	866354	Frame reinforcement kit	1	

<b>Assembly</b>	FRAME
<b>Code</b>	28.02
<b>Description</b>	Front fork Marzocchi
<b>Revision</b>	1



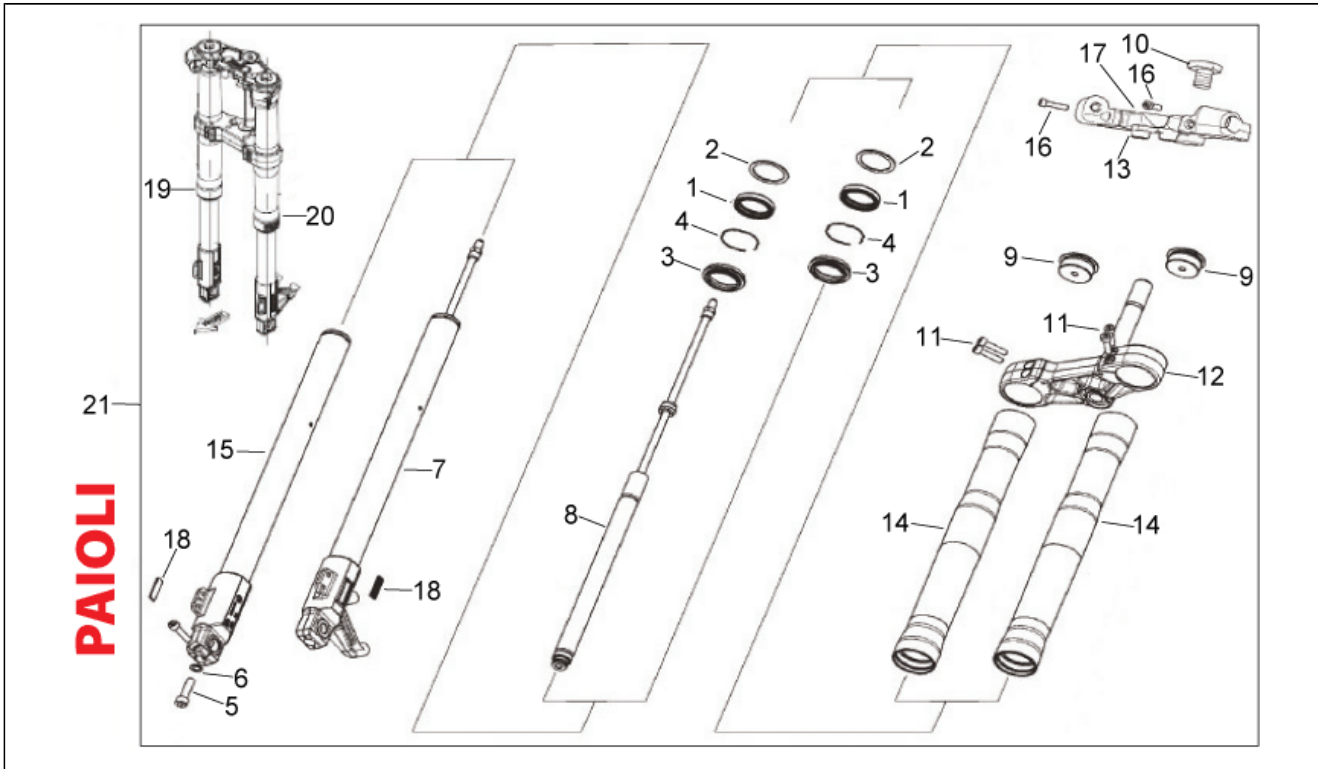
Pos.	Code	Description	Q.ty	Variants
1	00H00235001	Front fork	1	<b>Technical Specifications:</b> Marchio Marzocchi[M], Da telaio 6H309788[T2]
2	861627	Plug	1	<b>Technical Specifications:</b> Marchio Marzocchi[M], Da telaio 6H309788[T2]
3	861628	Fork upper plate	1	<b>Technical Specifications:</b> Marchio Marzocchi[M], Da telaio 6H309788[T2]
4	00H02006541	Sleeve plug	1	<b>Technical Specifications:</b> Marchio Marzocchi[M], Da telaio 6H309788[T2]
5	00H00206501	O-ring	1	<b>Technical Specifications:</b> Marchio Marzocchi[M], Da telaio 6H309788[T2]
6	00H00200721	Half ring	1	<b>Technical Specifications:</b> Marchio Marzocchi[M], Da telaio 6H309788[T2]
7	861629	Stem base	1	<b>Technical Specifications:</b> Marchio Marzocchi[M], Da telaio 6H309788[T2]
8	861630	Screw	4	<b>Technical Specifications:</b> Marchio Marzocchi[M], Da telaio 6H309788[T2]
9	861631	Sleeve	1	<b>Technical Specifications:</b> Marchio Marzocchi[M], Da telaio 6H309788[T2]
10	00H00210151	Bush	2	<b>Technical Specifications:</b> Marchio Marzocchi[M], Da telaio 6H309788[T2]
11	00H00201441	Ring	1	<b>Technical Specifications:</b> Marchio Marzocchi[M], Da telaio 6H309788[T2]
12	00H00203471	Oil seal	1	<b>Technical Specifications:</b> Marchio Marzocchi[M], Da telaio 6H309788[T2]
13	00H00200701	Stop ring	1	<b>Technical Specifications:</b> Marchio Marzocchi[M], Da telaio 6H309788[T2]
14	00H00202231	Dust cover	1	<b>Technical Specifications:</b> Marchio Marzocchi[M], Da telaio 6H309788[T2]
15	861632	Hub+RH fork leg	1	<b>Technical Specifications:</b> Marchio Marzocchi[M], Da telaio 6H309788[T2]
16	861633	Hub+LH fork leg	1	<b>Technical Specifications:</b> Marchio Marzocchi[M], Da telaio 6H309788[T2]

<b>Assembly</b>	FRAME
<b>Code</b>	28.02
<b>Description</b>	Front fork Marzocchi
<b>Revision</b>	1



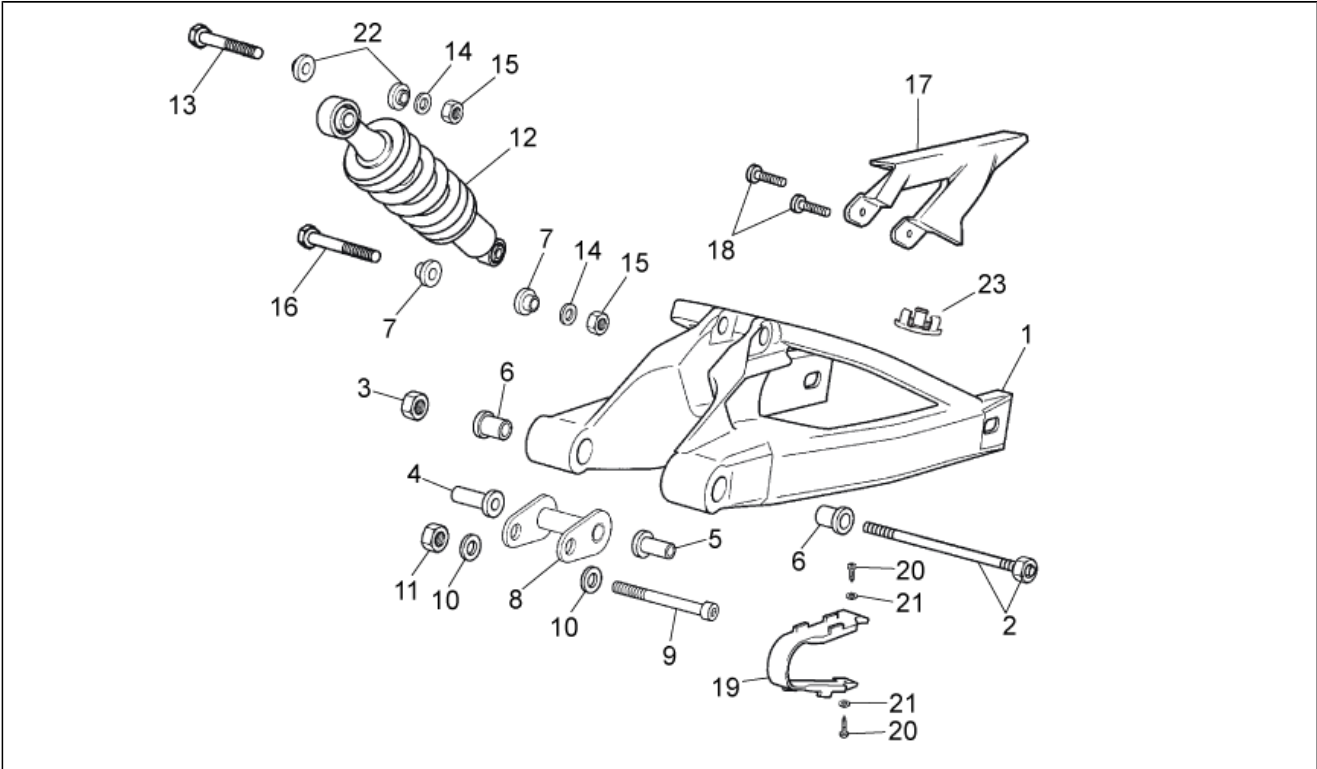
Pos.	Code	Description	Q.ty	Variants
17	00H00207601	Ring spring	1	<b>Technical Specifications:</b> Marchio Marzocchi[M], Da telaio 6H309788[T2]
18	861634	Washer	1	<b>Technical Specifications:</b> Marchio Marzocchi[M], Da telaio 6H309788[T2]
19	861635	Spacer	1	<b>Technical Specifications:</b> Marchio Marzocchi[M], Da telaio 6H309788[T2]
20	00H00200831	Screw	1	<b>Technical Specifications:</b> Marchio Marzocchi[M], Da telaio 6H309788[T2]
21	861636	Screw	2	<b>Technical Specifications:</b> Marchio Marzocchi[M], Da telaio 6H309788[T2]

<b>Assembly</b>	FRAME
<b>Code</b>	28.03
<b>Description</b>	Front fork Paioli
<b>Revision</b>	1



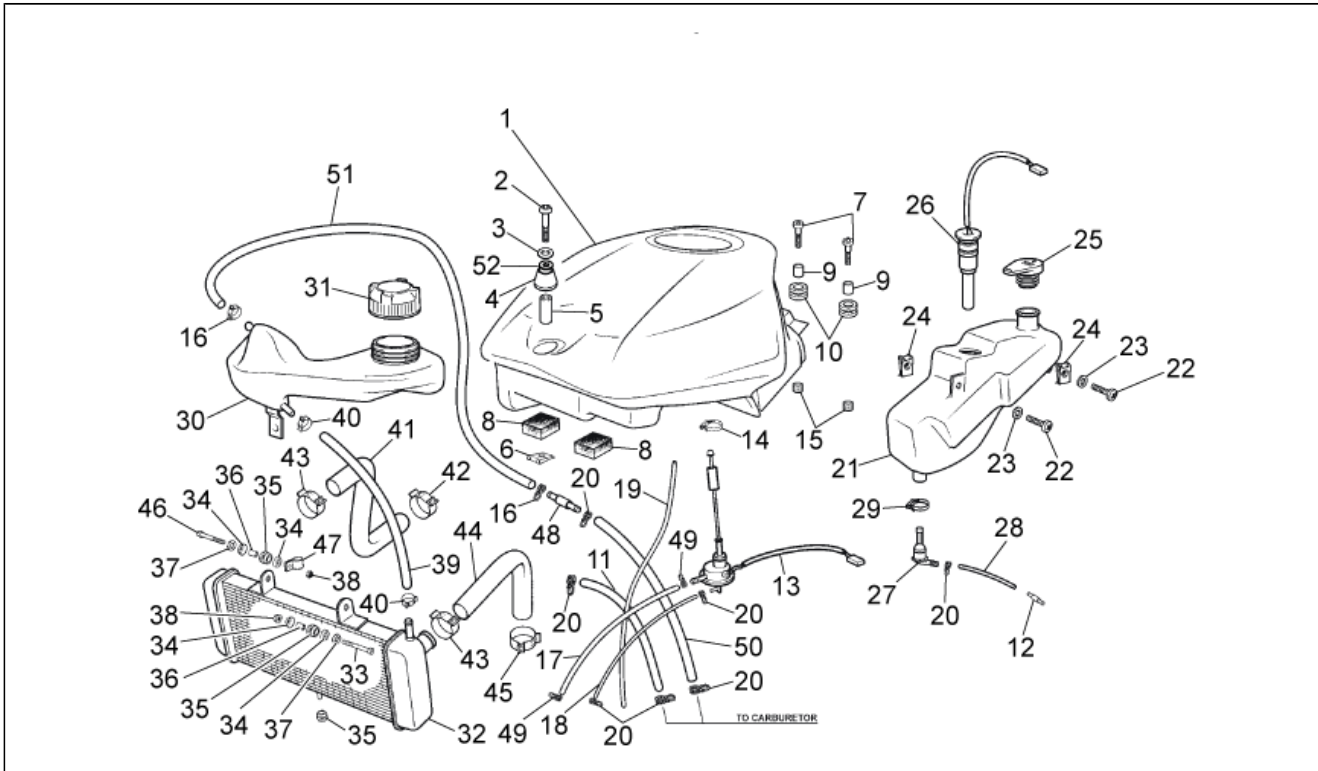
Pos.	Code	Description	Q.ty	Variants
1	896516	Oil seal	2	Technical Specifications:Marchio Paioli[P]
2	896517	Washer	2	Technical Specifications:Marchio Paioli[P]
3	896518	Dust cover	2	Technical Specifications:Marchio Paioli[P]
4	896519	Stop ring	2	Technical Specifications:Marchio Paioli[P]
5	896520	Screw	2	Technical Specifications:Marchio Paioli[P]
6	896521	Copper washer	2	Technical Specifications:Marchio Paioli[P]
7	896528	Sleeve idraulico	1	Technical Specifications:Marchio Paioli[P]
8	896529	Cartridge	1	Technical Specifications:Marchio Paioli[P]
9	896530	Plug	2	Technical Specifications:Marchio Paioli[P]
10	896522	Nut cpl.	1	Technical Specifications:Marchio Paioli[P]
11	896523	Screw	5	Technical Specifications:Marchio Paioli[P]
12	896531	Stem base	1	Technical Specifications:Marchio Paioli[P]
13	896524	Upper plate	1	Technical Specifications:Marchio Paioli[P]
14	896532	Sleeve	2	Technical Specifications:Marchio Paioli[P]
15	896533	Sleeve meccanico	1	Technical Specifications:Marchio Paioli[P]
16	896525	Screw	2	Technical Specifications:Marchio Paioli[P]
17	896526	Name plate Paioli	2	Technical Specifications:Marchio Paioli[P]
18	896527	Decal Paioli	2	Technical Specifications:Marchio Paioli[P]
19	896534	Hub+RH fork leg	1	Technical Specifications:Marchio Paioli[P]
20	896535	Hub+LH fork leg	1	Technical Specifications:Marchio Paioli[P]
21	865589	Front fork assy	1	Technical Specifications:Marchio Paioli[P]

<b>Assembly</b>	FRAME
<b>Code</b>	28.04
<b>Description</b>	Swing arm - Shock absorber
<b>Revision</b>	1



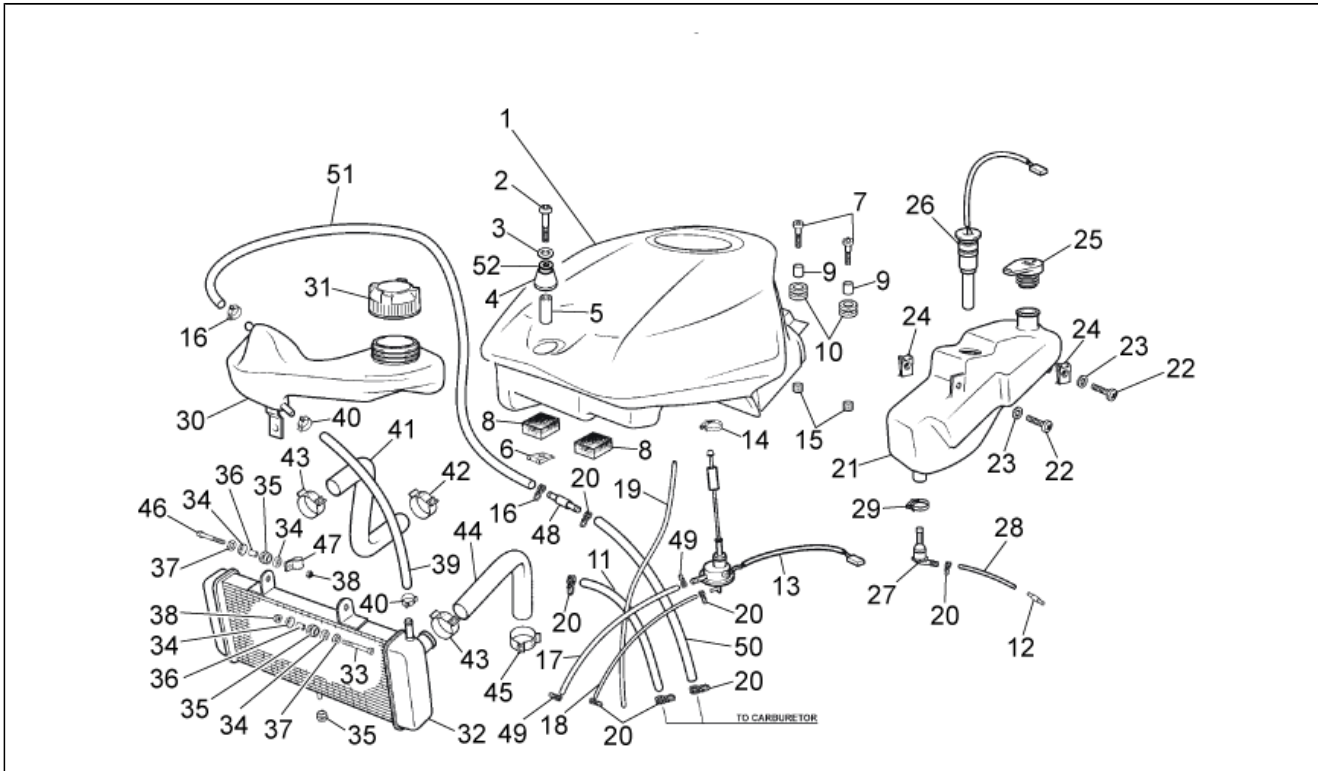
Pos.	Code	Description	Q.ty	Variants
1	00H00322971	Swing arm	1	
2	00H00306411	Rear swing arm pin	1	
3	00281141503	Nut	1	
4	00H00302651	Bush	1	
5	00H00303401	Bush	1	
6	00H00303231	Rear sw.arm piv.bush	2	
7	00H01500491	Ring nut	2	
8	00H00102961	Engine support	1	
9	00004111000	Screw	1	
10	00H01500421	Washer	2	
11	00262120032	Nut	1	
12	00H01516191	Shock absorber	1	
13	00031106023	Screw	1	
14	00402100001	Washer	2	
15	00281101503	Nut	2	
16	00031107024	Screw	1	
17	00H01509181	Chain guard	1	
18	00016041301	Screw	2	
19	00H01806331	Chain guide plate	1	
20	00011241300	Self-tap screw 4,2x13	2	
21	00000031050	Washer D5	2	
22	00H04400111	Ring nut	2	
23	00H01809331	Protection	1	

<b>Assembly</b>	FRAME
<b>Code</b>	28.05
<b>Description</b>	Fuel tank
<b>Revision</b>	1



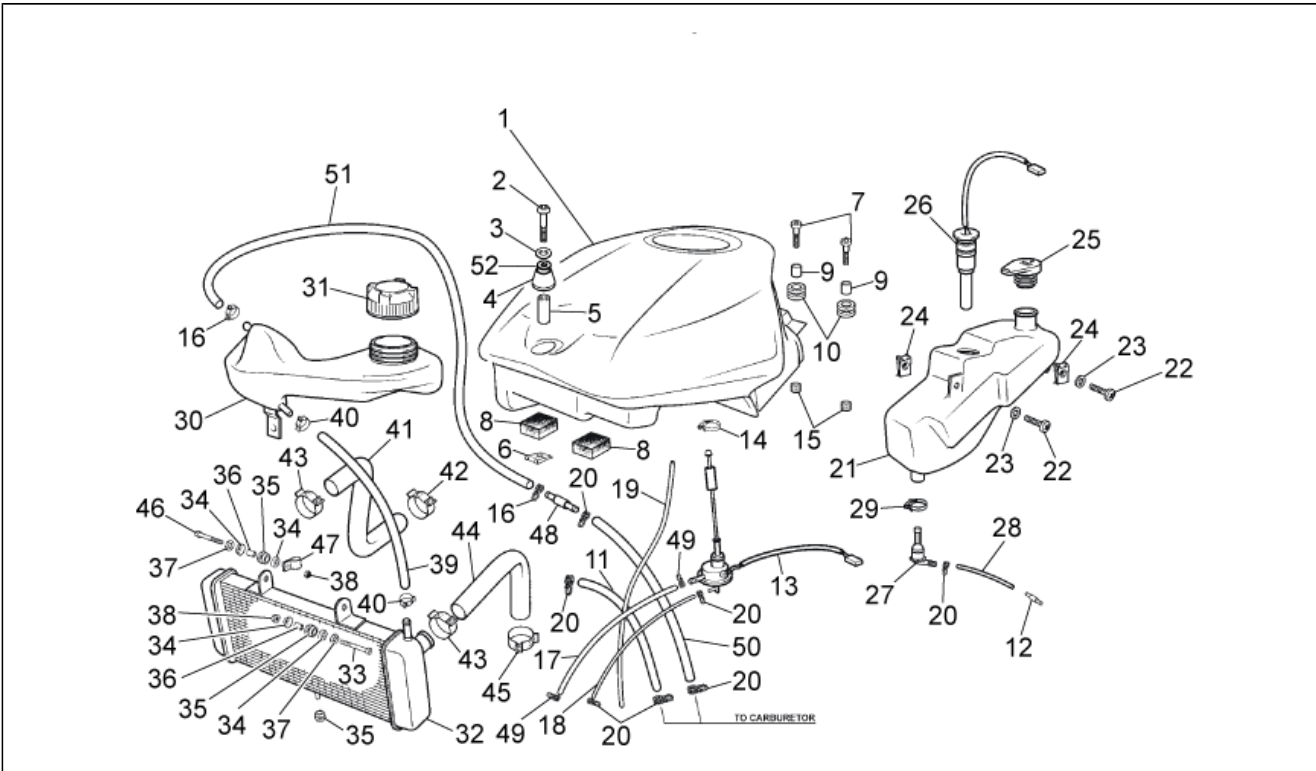
Pos.	Code	Description	Q.ty	Variants
1	86238200WN0	Fuel tank, Ap. black	1	year: 2008[8] Color: Nero Aprilia 2008 (s.t.860430)[a.blk] Technical Specifications:Particolare non decalcato[ND]
1	86302801WR0	Fuel tank, red	1	year: 2008[8] Color: Rosso Spain's 2008 (s.t.856883)[red8] Technical Specifications:Particolare decalcato[D]
1	86302801WR0	Fuel tank, red	1	year: 2007[7] Color: Rosso Spain's 2007 (s.t.852738)[red7] Technical Specifications:Particolare decalcato[D]
1	86329800WN1	Fuel tank, black	1	year: 2006[6] Color: Nero Diabolo 2006[black] Technical Specifications:Particolare decalcato[D]
1	86329900WB0	Fuel tank, white	1	year: 2006[6] Color: Bianco Aprilia 2006[white] Technical Specifications:Particolare decalcato[D]
1	86510900WR0	Fuel tank, red	1	year: 2008[8] Color: Rosso Fluo 2008 (s.t.860429)[fluo] Technical Specifications:Particolare decalcato[D]
1	86663200WN0	Fuel tank, black	1	year: 2009[9] Color: Replica SBK 2009 (s.t.895055)[sbk] Technical Specifications:Particolare decalcato[D]
1	86704700WB25	Fuel tank, white	1	year: 2010[A] Color: Bianco Glam 2010 (s.t.896824)[w.g.] Technical Specifications:Particolare decalcato[D]
1	86720200WB05	Fuel tank, white	1	year: 2010[A] Color: Replica Alitalia 2010 (s.t.897897)[r.ali] Technical Specifications:Particolare decalcato[D]
2	00008064500	Screw	1	
3	00000031070	Washer	1	
4	00H00402581	Silent-block	1	
5	00H01504051	Ring nut	1	
6	00D01501371	Nut D6	1	
7	00002062511	Screw 6M100X25	2	

<b>Assembly</b>	FRAME
<b>Code</b>	28.05
<b>Description</b>	Fuel tank
<b>Revision</b>	1



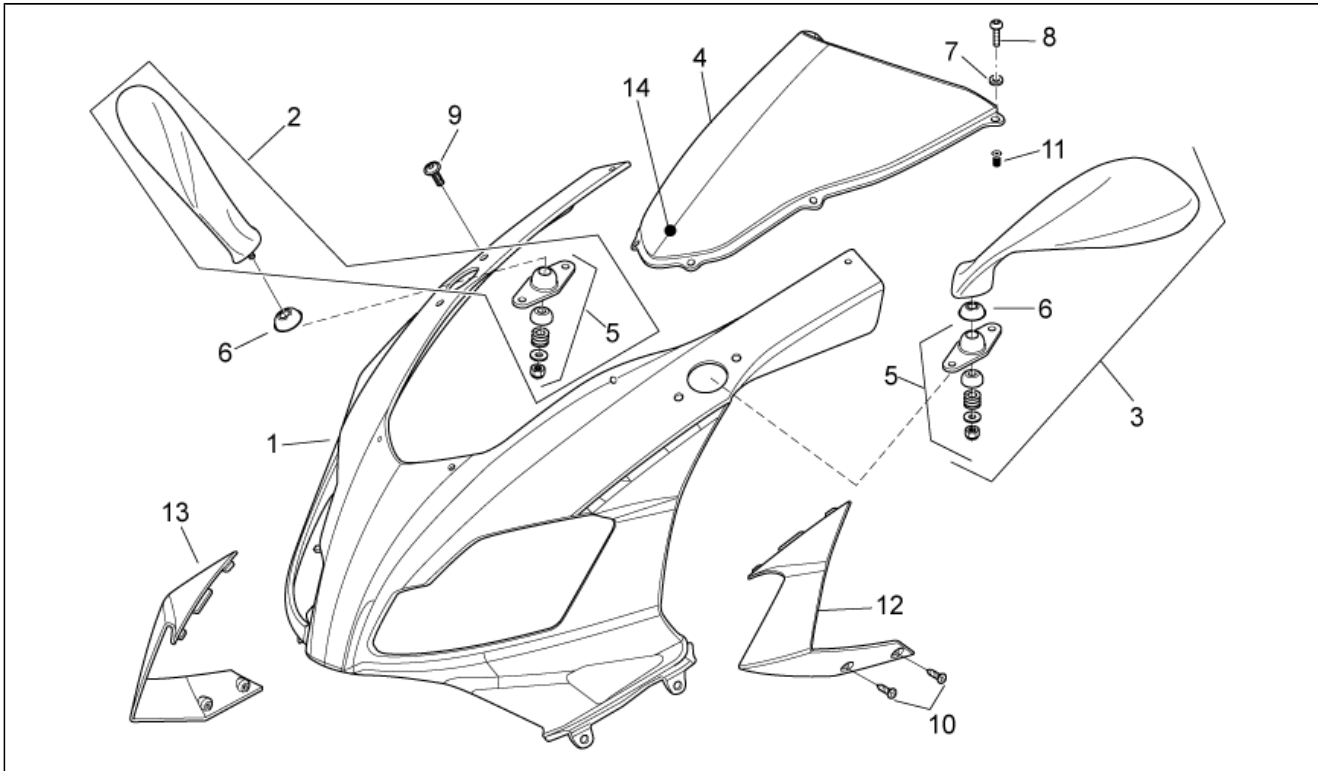
Pos.	Code	Description	Q.ty	Variants
8	00H06300771	Lock	2	
9	00G01001821	Ring nut	2	
10	00H00403581	Silent-block	2	
11	00H03801961	Pipe	1	
12	00G03701031	Union	1	
13	00H10408181	Fuel cock	1	
14	00G00400501	Hose clamp	1	
15	00H04400711	Nut	2	
16	00D03700131	Hose clamp	2	
17	00H00406321	Pipe	1	
18	00G06201061	Pipe	1	
19	00H06202061	Pipe	1	
20	00H00400501	Hose clamp 7,8-8,3	6	
21	00H03706081	Oil tank	1	
22	00092063514	Screw	2	
23	00402060001	Washer D6 DIN125 AZNB	2	
24	00D01501371	Nut D6	2	
25	00H03702061	Oil filler cap	1	
26	862045	Oil reserve indicator	1	
27	00H03701411	Oil filter	1	
28	00H03700111	Pipe	1	
29	00G00400501	Hose clamp	1	
30	00H03803501	Expansion tank	1	
31	00H03802472	Tank cap	1	
32	00H03809011	Water cooler	1	
33	00002064011	Screw	1	
34	00D01500552	Cup	4	
35	00008915020	Grommet	3	

<b>Assembly</b>	FRAME
<b>Code</b>	28.05
<b>Description</b>	Fuel tank
<b>Revision</b>	1



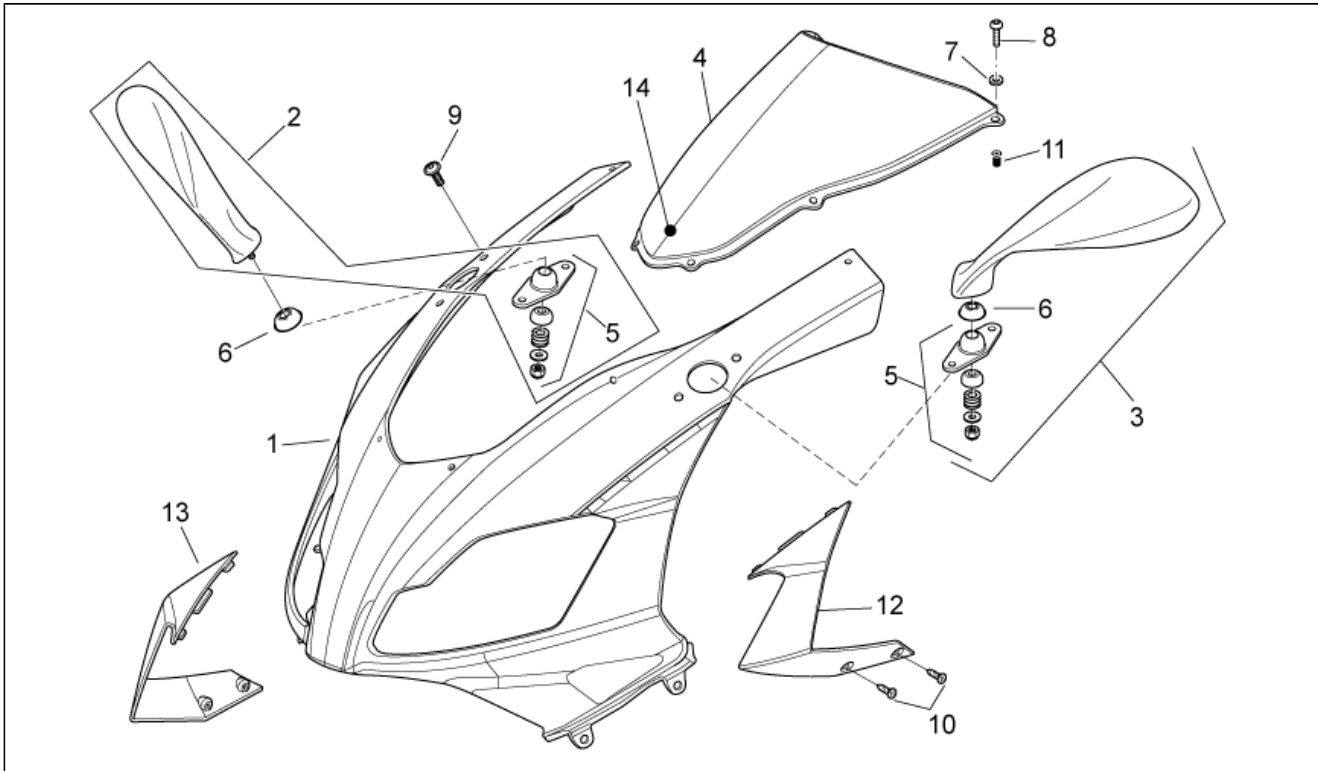
Pos.	Code	Description	Q.ty	Variants
36	00D01500471	Ring nut	2	
37	00000031060	Washer	2	
38	00000023060	Nut M6100	2	
39	00H03803491	Pipe	1	
40	00H03801701	Hose clamp	2	
41	00H03807041	Pipe	1	
42	00H03802091	Hose clamp	1	
43	00H03802091	Hose clamp	2	
44	00H03813021	Pipe	1	
45	00H03802751	Hose clamp	1	
46	00000004645	Screw	1	
47	00H02200591	Flange	1	
48	00H03800861	Union	1	
49	00D03700131	Hose clamp	1	
50	00H03801961	Pipe	1	
51	00H03807491	Pipe	1	
52	00003515370	Washer	1	

<b>Assembly</b>	FRAME
<b>Code</b>	28.06
<b>Description</b>	Front body I
<b>Revision</b>	1



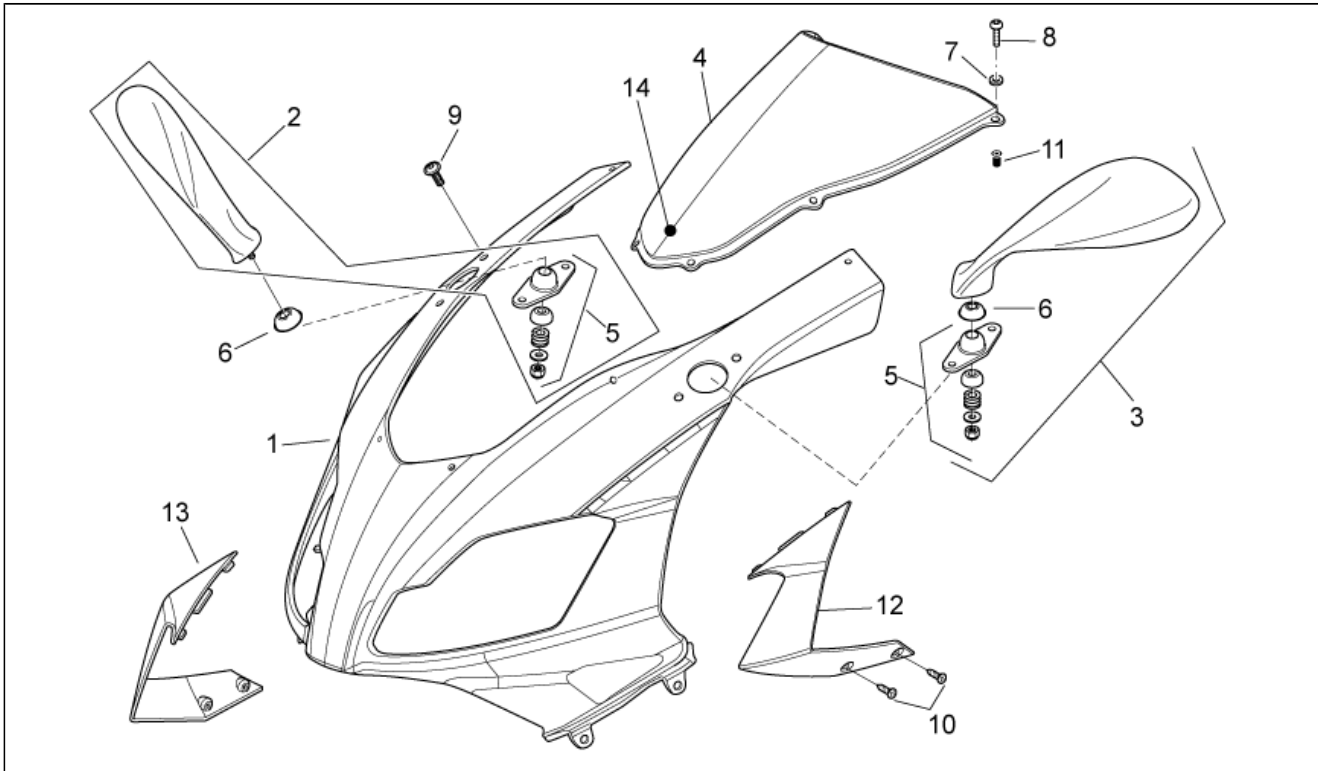
Pos.	Code	Description	Q.ty	Variants
1	86142200WG3	Front fairing, grey	1	year: 2006[6] Color: Bianco Aprilia 2006[white] Technical Specifications:Particolare decalco[D]
1	86143300WG3	Front fairing, grey	1	year: 2006[6] Color: Nero Diablo 2006[black] Technical Specifications:Particolare decalco[D]
1	86302700WR0	Front fairing, red	1	year: 2007[7] Color: Rosso Spain's 2007 (s.t.852738)[red7] Technical Specifications:Particolare decalco[D]
1	86461500WR0	Front fairing, red	1	year: 2008[8] Color: Rosso Spain's 2008 (s.t.856883)[red8] Technical Specifications:Particolare decalco[D]
1	86511100WN0	Front fairing, a.black	1	year: 2008[8] Color: Nero Aprilia 2008 (s.t.860430)[a.blk] Technical Specifications:Particolare decalco[D]
1	86511100WR0	Front fairing, red	1	year: 2008[8] Color: Rosso Fluo 2008 (s.t.860429)[fluo] Technical Specifications:Particolare decalco[D]
1	86663900WR0	Front fairing, red	1	year: 2009[9] Color: Replica SBK 2009 (s.t.895055)[sbk] Technical Specifications:Particolare decalco[D]
1	86704500WB25	Front fairing, white	1	year: 2010[A] Color: Bianco Glam 2010 (s.t.896824)[w.g.] Technical Specifications:Particolare decalco[D]
1	86720700WR05	Front fairing, red	1	year: 2010[A] Color: Replica Alitalia 2010 (s.t.897897)[r.ali] Technical Specifications:Particolare decalco[D]
2	AP8102632	RH rearview mirror	1	
3	AP8102633	LH rearview mirror	1	
4	86303301W06	Windshield	1	year: 2007[7] Color:Rosso Spain's 2007 (s.t.852738)[red7]
4	86461600W06	Windshield	1	year: 2008[8] Color:Rosso Spain's 2008 (s.t.856883)[red8]

<b>Assembly</b>	FRAME
<b>Code</b>	28.06
<b>Description</b>	Front body I
<b>Revision</b>	1



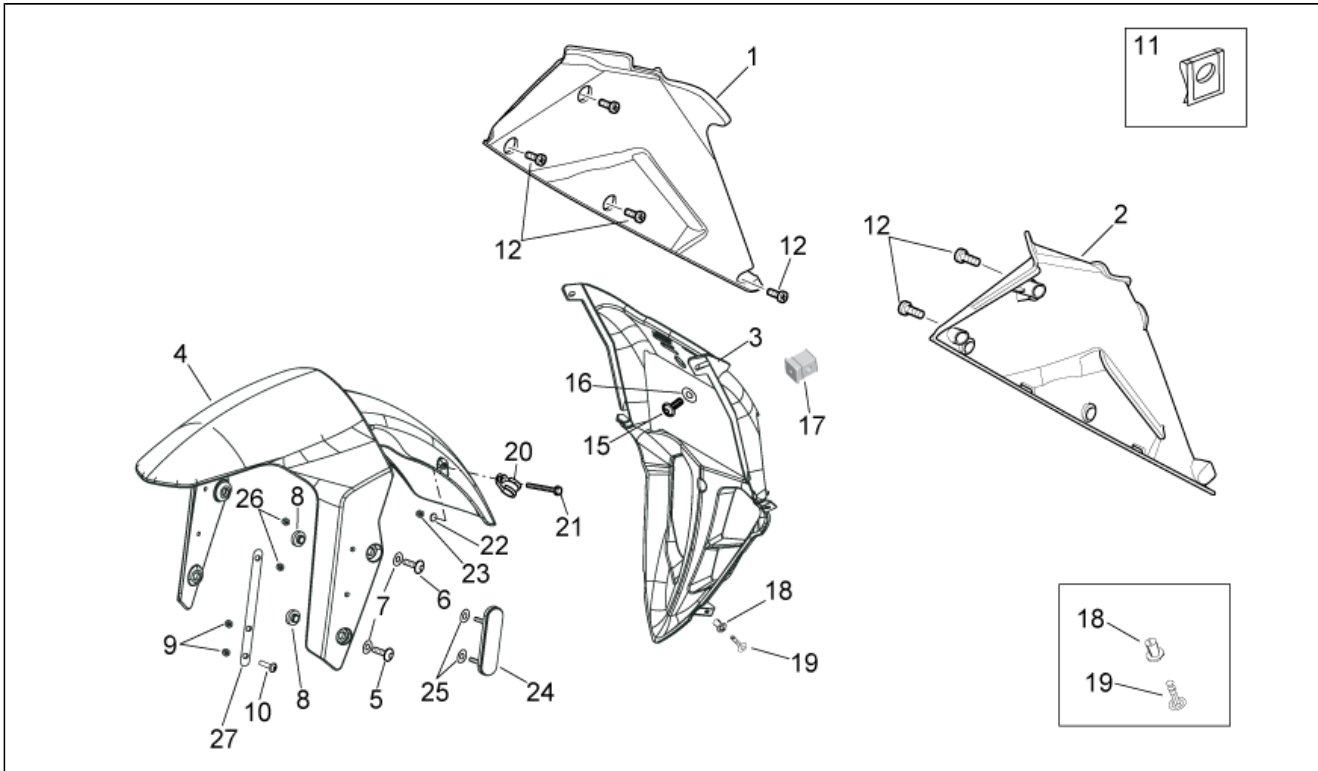
Pos.	Code	Description	Q.ty	Variants
4	86513300W06	Windshield	1	year: 2008[8] Color:Nero Aprilia 2008 (s.t.860430)[a.blk], Rosso Fluo 2008 (s.t.860429)[fluo]
4	86513300W06	Windshield	1	year: 2010[A] Color: Bianco Glam 2010 (s.t.896824)[w.g.] Technical Specifications:Particolare decalcato[D]
4	86664000W06	Windshield	1	year: 2009[9] Color:Replica SBK 2009 (s.t.895055)[sbk]
4	86664001W06	Windshield	1	year: 2010[A] Color: Replica Alitalia 2010 (s.t.897897)[r.ali] Technical Specifications:Particolare decalcato[D]
4	AP8179181	Windshield	1	year: 2006[6] Color:Nero Diablo 2006[black], Bianco Aprilia 2006[white]
5	AP8102909	Mirror insertion kit	2	
6	AP8102341	Mirror joint cup	2	
7	AP8144565	Nylon washer	6	
8	AP8121184	Screw M4x14	6	
9	AP8152246	Screw w/ flange	4	
10	AP8150413	Self-tap screw 3,9x14	4	
11	AP8144564	Rubber w/ insert *	6	
12	00H01801031	LH baffle	1	year: 2006[6] Color:Bianco Aprilia 2006[white]
12	86155800W1B	LH baffle	1	year: 2010[A] Color:Bianco Glam 2010 (s.t.896824)[w.g.]
12	86155800WN0	LH baffle	1	year: 2006[6] Color:Nero Diablo 2006[black]
12	86155800WN0	LH baffle	1	year: 2008[8] Color:Nero Aprilia 2008 (s.t.860430)[a.blk]
12	86155800WR0	LH baffle	1	year: 2008[8] Color:Rosso Fluo 2008 (s.t.860429)[fluo]
12	86303100WN0	LH baffle	1	year: 2007[7] Color:Rosso Spain's 2007 (s.t.852738)[red7]

<b>Assembly</b>	FRAME
<b>Code</b>	28.06
<b>Description</b>	Front body I
<b>Revision</b>	1



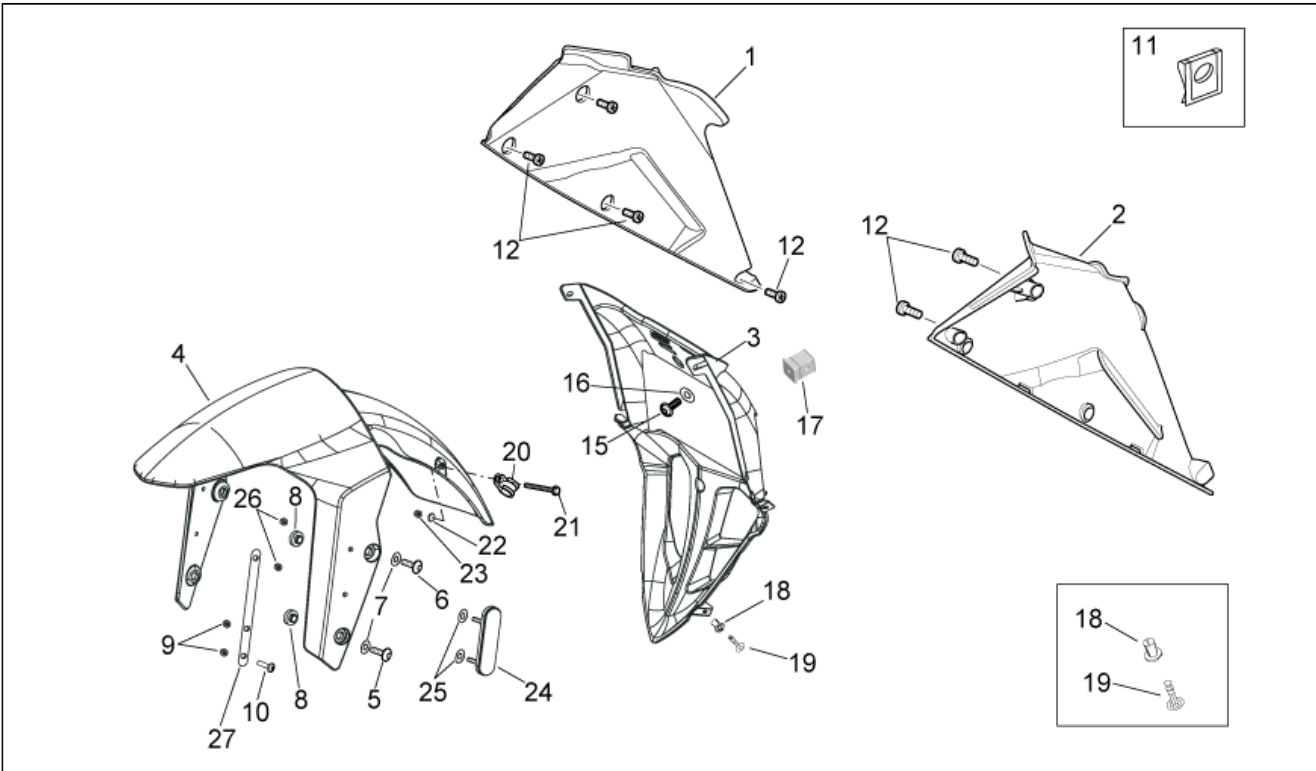
Pos.	Code	Description	Q.ty	Variants
12	86303100WN0	LH baffle	1	year: 2008[8] Color:Rosso Spain's 2008 (s.t.856883)[red8]
12	86663800W3R	LH baffle	1	year: 2009[9] Color:Replica SBK 2009 (s.t.895055)[sbk]
12	86721000W3R5	LH baffle	1	year: 2010[A] Color: Replica Alitalia 2010 (s.t.897897)[r.ali] Technical Specifications:Particolare decalcato[D]
13	00H01801021	RH baffle	1	year: 2006[6] Color:Bianco Aprilia 2006[white]
13	86155700W1B	RH baffle	1	year: 2010[A] Color:Bianco Glam 2010 (s.t.896824)[w.g.]
13	86155700WN0	RH baffle	1	year: 2008[8] Color:Nero Aprilia 2008 (s.t.860430)[a.blk]
13	86155700WN0	RH baffle	1	year: 2006[6] Color:Nero Diablo 2006[black]
13	86155700WR0	RH baffle	1	year: 2008[8] Color:Rosso Fluo 2008 (s.t.860429)[fluo]
13	86303000WN0	RH baffle	1	year: 2007[7] Color:Rosso Spain's 2007 (s.t.852738)[red7]
13	86303000WN0	RH baffle	1	year: 2008[8] Color:Rosso Spain's 2008 (s.t.856883)[red8]
13	86663700W3R	RH baffle	1	year: 2009[9] Color:Replica SBK 2009 (s.t.895055)[sbk]
13	86720900W3R5	RH baffle	1	year: 2010[A] Color: Replica Alitalia 2010 (s.t.897897)[r.ali] Technical Specifications:Particolare decalcato[D]
14	860321	Front fairing glass decal	1	year: 2010[A] Color:Bianco Glam 2010 (s.t.896824)[w.g.]
14	AP8166959	Front fairing glass decal	1	year:2006[6], 2007[7]
14	AP8166959	Front fairing glass decal	1	year:2008[8], 2009[9]

<b>Assembly</b>	FRAME
<b>Code</b>	28.07
<b>Description</b>	Front body II
<b>Revision</b>	1



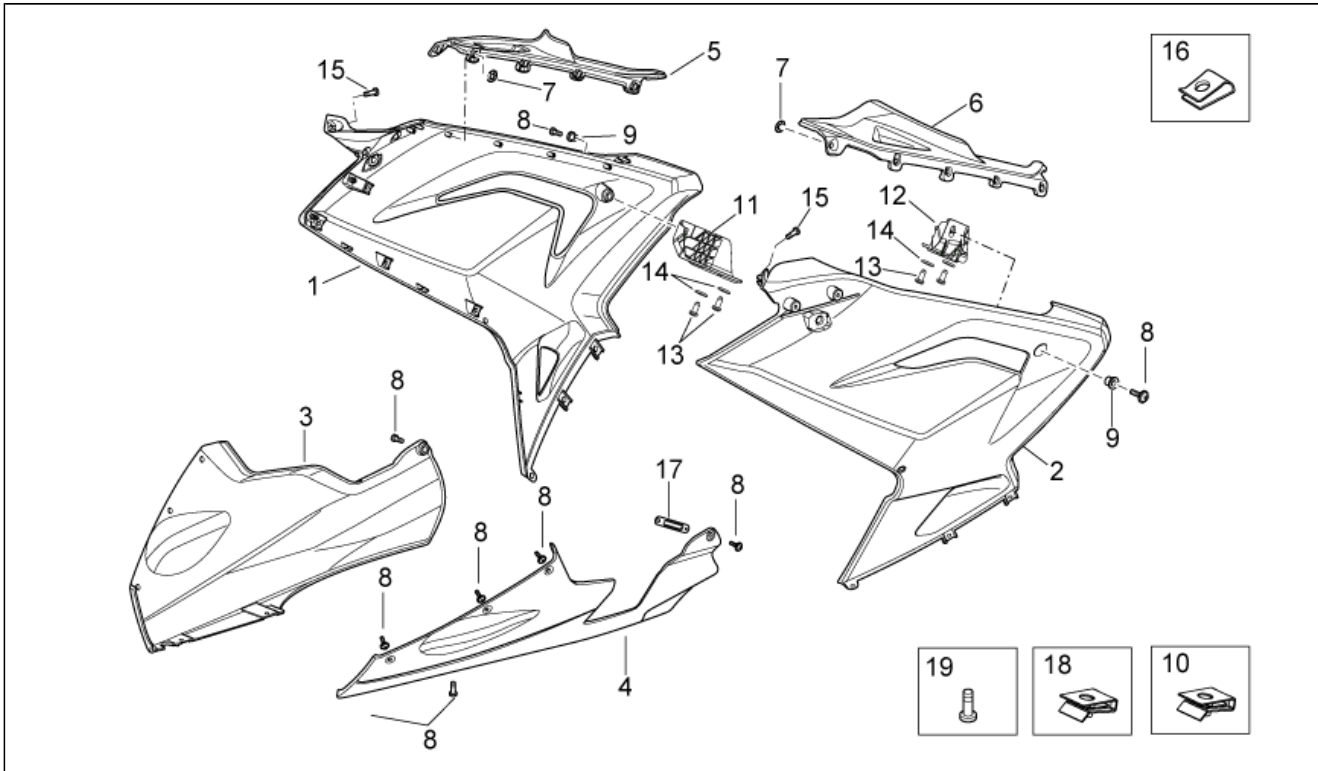
Pos.	Code	Description	Q.ty	Variants
1	00H01802161	RH internal fairing	1	
2	00H01803161	LH internal fairing	1	
3	00H01801161	Pillar	1	
4	86142800WN0	Front mudguard, black	1	<b>year:</b> 2006[6] <b>Color:</b> Nero Diablo 2006[black] <b>Technical Specifications:</b> Particolare decalcato[D]
4	86142800WN1	Front mudguard, black	1	<b>year:</b> 2006[6] <b>Color:</b> Bianco Aprilia 2006[white] <b>Technical Specifications:</b> Particolare decalcato[D]
4	86303200WR0	Front mudguard, red	1	<b>year:</b> 2007[7] <b>Color:</b> Rosso Spain's 2007 (s.t.852738)[red7] <b>Technical Specifications:</b> Particolare decalcato[D]
4	86303200WR0	Front mudguard, red	1	<b>year:</b> 2008[8] <b>Color:</b> Rosso Spain's 2008 (s.t.856883)[red8] <b>Technical Specifications:</b> Particolare decalcato[D]
4	86511000WN0	Front mudguard, a.black	1	<b>year:</b> 2008[8] <b>Color:</b> Nero Aprilia 2008 (s.t.860430)[a.blk], Rosso Fluo 2008 (s.t.860429)[fluo] <b>Technical Specifications:</b> Particolare decalcato[D]
4	86511000WN0	Front mudguard, a.black	1	<b>year:</b> 2009[9] <b>Color:</b> Replica SBK 2009 (s.t.895055)[sbk] <b>Technical Specifications:</b> Particolare decalcato[D]
4	86706000WB25	Front mudguard, white	1	<b>year:</b> 2010[A] <b>Color:</b> Bianco Glam 2010 (s.t.896824)[w.g.] <b>Technical Specifications:</b> Particolare decalcato[D]
4	86706000WR05	Front mudguard, red	1	<b>year:</b> 2010[A] <b>Color:</b> Replica Alitalia 2010 (s.t.897897)[r.ali] <b>Technical Specifications:</b> Particolare decalcato[D]
5	00H01503701	Screw	2	
6	00H01501701	Screw	2	
7	00A02100591	Washer	4	
8	00H00700321	Bush	2	

<b>Assembly</b>	FRAME
<b>Code</b>	28.07
<b>Description</b>	Front body II
<b>Revision</b>	1



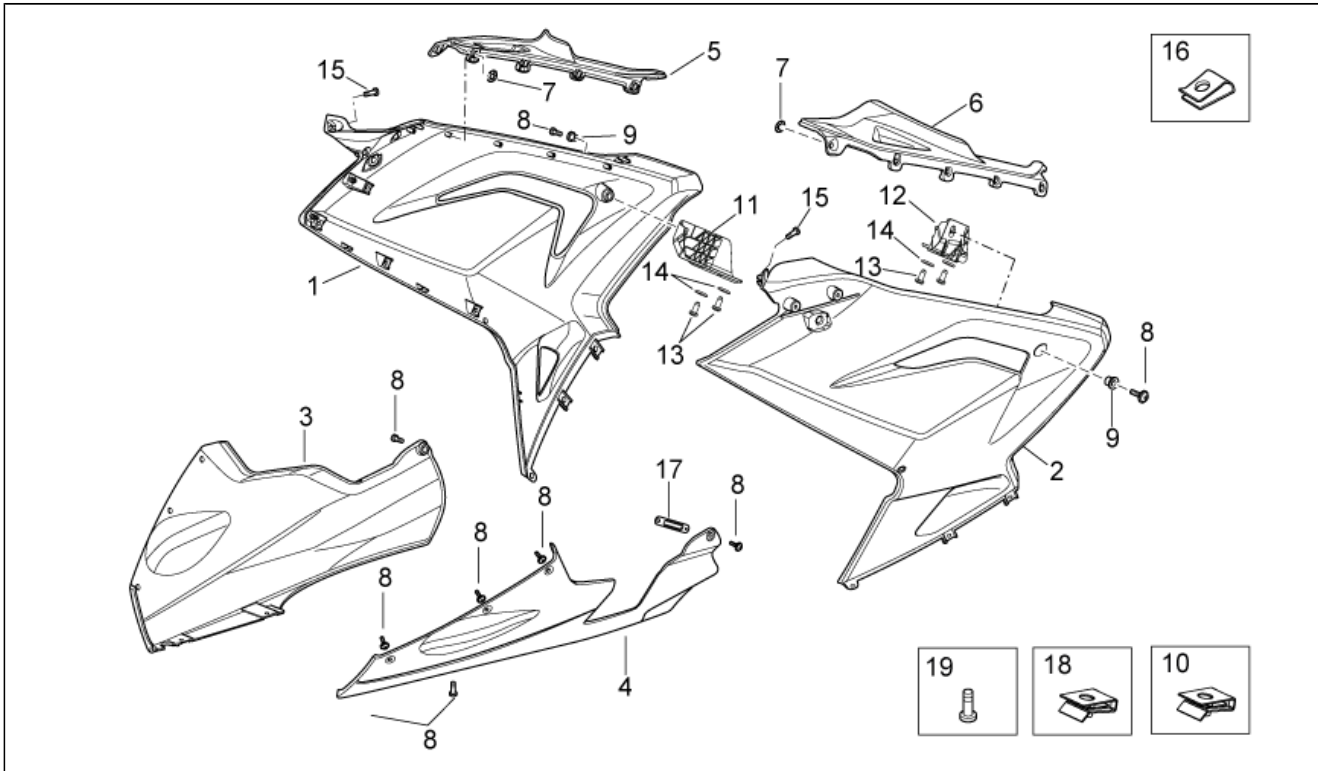
Pos.	Code	Description	Q.ty	Variants
9	00000023060	Nut M6100	2	
10	00008062000	Screw	2	
11	AP8202449	Clip	8	
12	00011041600	Self-tap screw 4,2X16	8	
15	00011051401	Self-tap screw 5X14	2	
16	00D02600631	Washer	2	
17	00H01800171	Plug	2	
18	AP8144616	Rivet, female	2	
19	AP8144563	Rivet, male	2	
20	00H01501811	Fairlead	2	
21	00008051200	Screw	2	
22	00000031050	Washer D5	2	
23	00000023051	Nut 5M80	2	
24	00G04403751	Reflector	1	
25	00D02600631	Washer	4	
26	00000023040	Nut	4	
27	00H00702051	Front mudguard support	1	

<b>Assembly</b>	FRAME
<b>Code</b>	28.08
<b>Description</b>	Central body
<b>Revision</b>	1



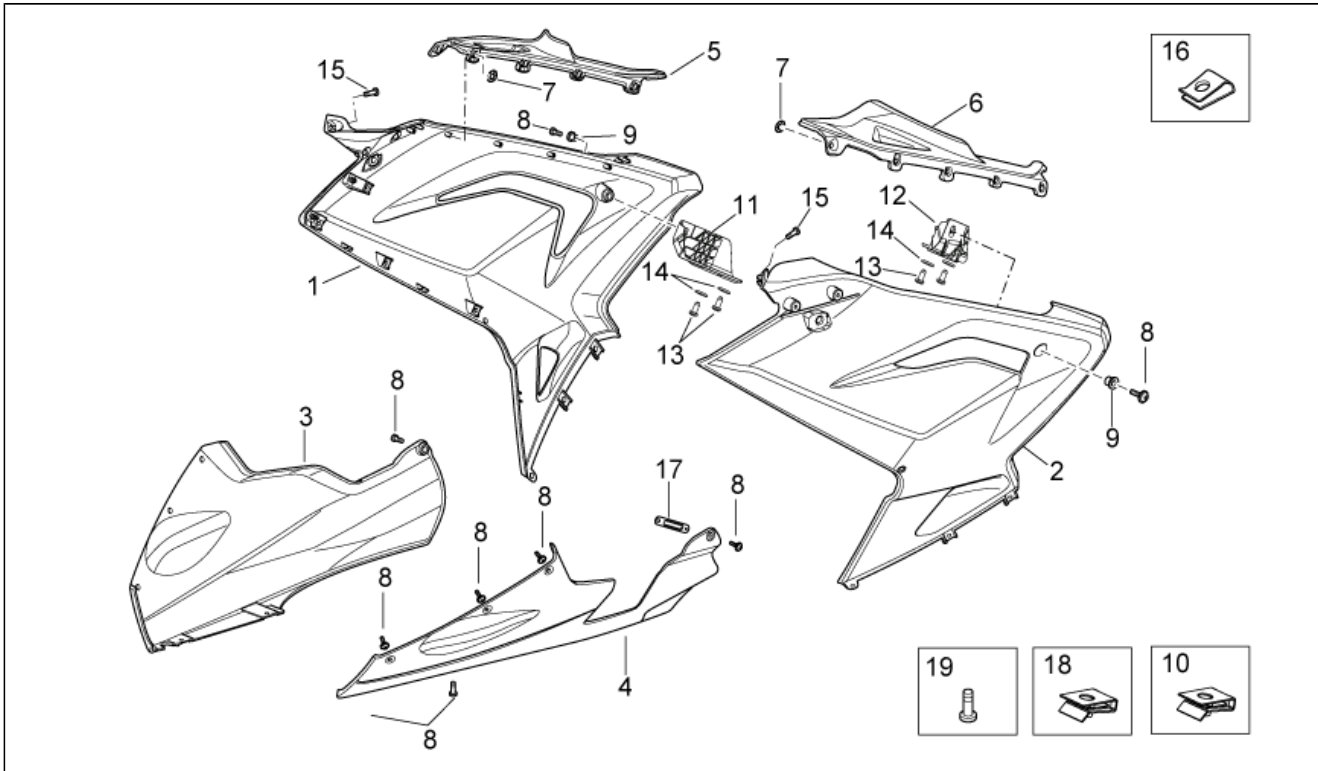
Pos.	Code	Description	Q.ty	Variants
1	86142300WB0	RH side panel upper, white	1	<b>year:</b> 2006[6] <b>Color:</b> Bianco Aprilia 2006[white] <b>Technical Specifications:</b> Particolare decalcato[D], Indicatore di direzione 4 led[L4]
1	86142300WN1	RH side panel upper, black	1	<b>year:</b> 2006[6] <b>Color:</b> Nero Diablo 2006[black] <b>Technical Specifications:</b> Particolare decalcato[D], Indicatore di direzione 4 led[L4]
1	86302500WR0	RH side panel upper, red	1	<b>year:</b> 2007[7] <b>Color:</b> Rosso Spain's 2007 (s.t.852738)[red7] <b>Technical Specifications:</b> Particolare decalcato[D], Indicatore di direzione 4 led[L4]
1	86302500WR0	RH side panel upper, red	1	<b>year:</b> 2008[8] <b>Color:</b> Rosso Spain's 2008 (s.t.856883)[red8] <b>Technical Specifications:</b> Particolare decalcato[D], Indicatore di direzione 4 led[L4]
1	86511200WB0	RH side panel upper, white	1	<b>year:</b> 2008[8] <b>Color:</b> Rosso Fluo 2008 (s.t.860429)[fluo] <b>Technical Specifications:</b> Particolare decalcato[D], Indicatore di direzione 4 led[L4]
1	86511200WN0	RH side panel upper, black	1	<b>year:</b> 2008[8] <b>Color:</b> Nero Aprilia 2008 (s.t.860430)[a.blk] <b>Technical Specifications:</b> Particolare decalcato[D], Indicatore di direzione 4 led[L4]
1	86552900WB05	RH side panel upper, white	1	<b>year:</b> 2008[8] <b>Color:</b> Rosso Fluo 2008 (s.t.860429)[fluo] <b>Technical Specifications:</b> Particolare decalcato[D], Indicatore di direzione 1 led[L1]
1	86552900WN05	RH side panel upper, black	1	<b>year:</b> 2008[8] <b>Color:</b> Nero Aprilia 2008 (s.t.860430)[a.blk] <b>Technical Specifications:</b> Particolare decalcato[D], Indicatore di direzione 1 led[L1]
1	86552900WR05	RH side panel upper, red	1	<b>Technical Specifications:</b> Particolare decalcato[D], Indicatore di direzione 1 led[L1]

<b>Assembly</b>	FRAME
<b>Code</b>	28.08
<b>Description</b>	Central body
<b>Revision</b>	1



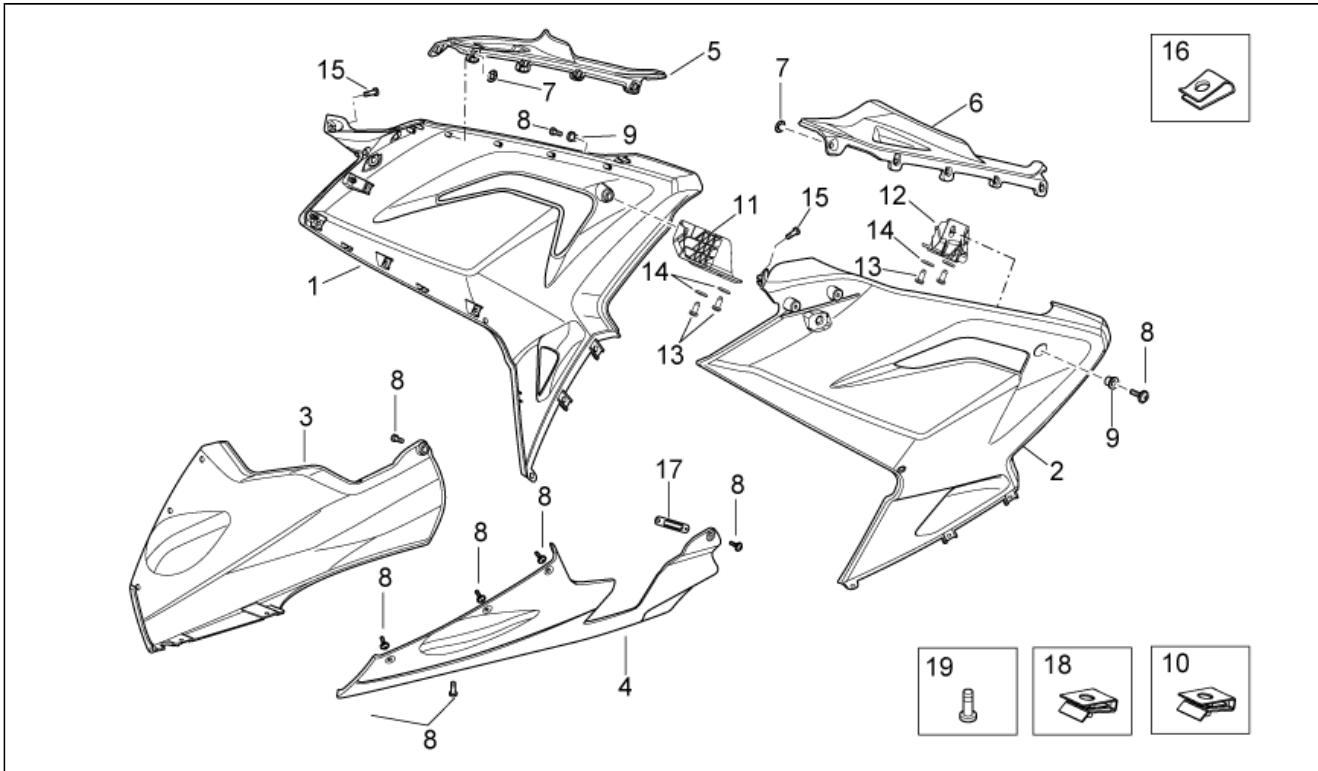
Pos.	Code	Description	Q.ty	Variants
1	86663300WN0	RH side panel upper, black	1	<b>year:</b> 2009[9] <b>Color:</b> Replica SBK 2009 (s.t.895055)[sbk] <b>Technical Specifications:</b> Particolare decalco[D], Indicatore di direzione 4 led[L4]
1	86704100WB25	RH side panel upper, white	1	<b>year:</b> 2010[A] <b>Color:</b> Rosso Spain's 2007 (s.t.852738)[red7] <b>Technical Specifications:</b> Particolare decalco[D], Indicatore di direzione 4 led[L4]
1	86720300WB05	RH side panel upper	1	<b>year:</b> 2010[A] <b>Color:</b> Replica Alitalia 2010 (s.t.897897)[r.ali] <b>Technical Specifications:</b> Particolare decalco[D]
2	86142400WB0	LH side panel upper, white	1	<b>year:</b> 2006[6] <b>Color:</b> Bianco Aprilia 2006[white] <b>Technical Specifications:</b> Particolare decalco[D], Indicatore di direzione 4 led[L4]
2	86142400WN1	LH side panel upper, black	1	<b>year:</b> 2006[6] <b>Color:</b> Nero Diablo 2006[black] <b>Technical Specifications:</b> Particolare decalco[D], Indicatore di direzione 4 led[L4]
2	86302600WR0	LH side panel upper, red	1	<b>year:</b> 2007[7] <b>Color:</b> Rosso Spain's 2007 (s.t.852738)[red7] <b>Technical Specifications:</b> Particolare decalco[D], Indicatore di direzione 4 led[L4]
2	86302600WR0	LH side panel upper, red	1	<b>year:</b> 2008[8] <b>Color:</b> Rosso Spain's 2008 (s.t.856883)[red8] <b>Technical Specifications:</b> Particolare decalco[D], Indicatore di direzione 4 led[L4]
2	86511300WB0	LH side panel upper, white	1	<b>year:</b> 2008[8] <b>Color:</b> Rosso Fluo 2008 (s.t.860429)[fluo] <b>Technical Specifications:</b> Particolare decalco[D], Indicatore di direzione 4 led[L4]
2	86511300WN0	LH side panel upper, black	1	<b>year:</b> 2008[8] <b>Color:</b> Nero Aprilia 2008 (s.t.860430)[a.blk] <b>Technical Specifications:</b> Particolare decalco[D], Indicatore di direzione 4 led[L4]

<b>Assembly</b>	FRAME
<b>Code</b>	28.08
<b>Description</b>	Central body
<b>Revision</b>	1



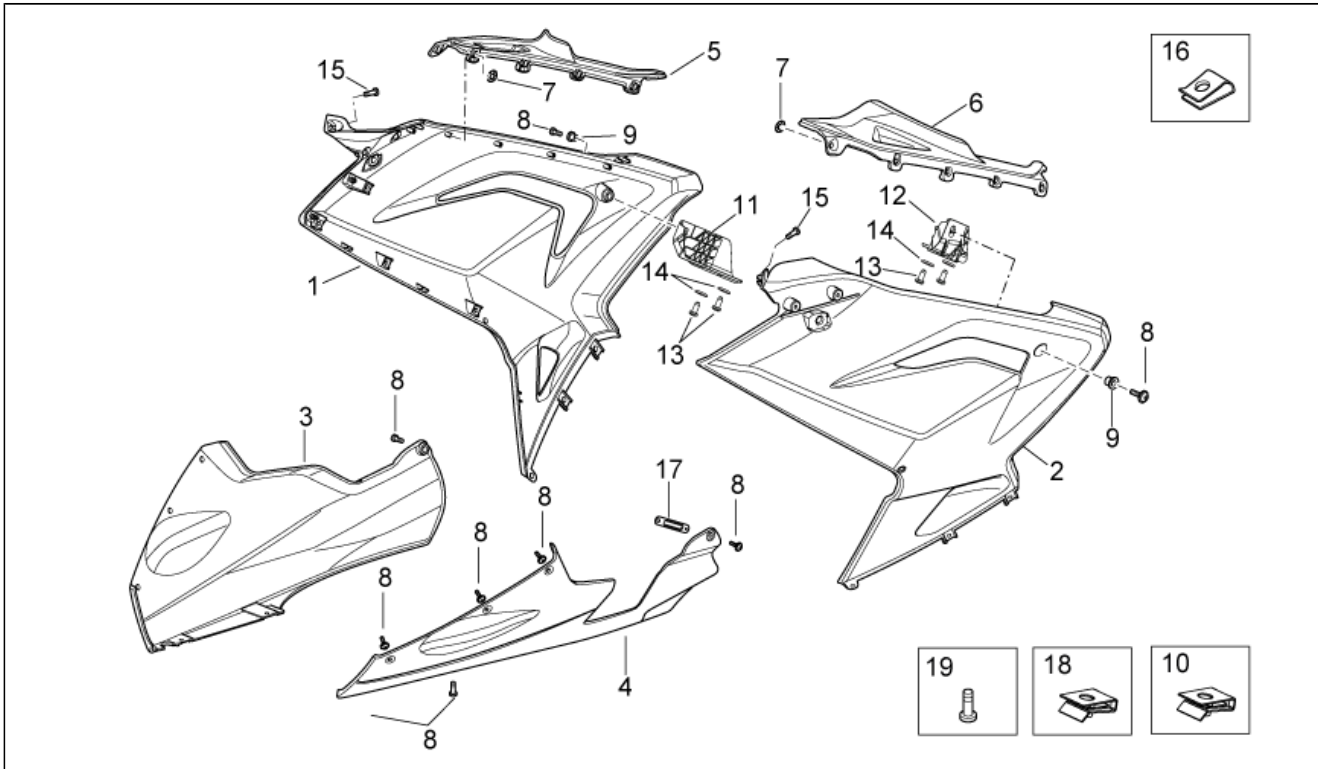
Pos.	Code	Description	Q.ty	Variants
2	86553100WB05	LH side panel upper, white	1	<b>year:</b> 2008[8] <b>Color:</b> Rosso Fluo 2008 (s.t.860429)[fluo] <b>Technical Specifications:</b> Particolare decalcato[D], Indicatore di direzione 1 led[L1]
2	86553100WN05	LH side panel upper, black	1	<b>year:</b> 2008[8] <b>Color:</b> Nero Aprilia 2008 (s.t.860430)[a.blk] <b>Technical Specifications:</b> Particolare decalcato[D], Indicatore di direzione 1 led[L1]
2	86553100WR05	LH side panel upper, red	1	<b>year:</b> 2007[7] <b>Color:</b> Rosso Spain's 2007 (s.t.852738)[red7] <b>Technical Specifications:</b> Particolare decalcato[D], Indicatore di direzione 1 led[L1]
2	86663400WN0	LH side panel upper, black	1	<b>year:</b> 2009[9] <b>Color:</b> Replica SBK 2009 (s.t.895055)[sbk] <b>Technical Specifications:</b> Particolare decalcato[D], Indicatore di direzione 4 led[L4]
2	86704200WB25	LH side panel upper, white	1	<b>year:</b> 2010[A] <b>Color:</b> Bianco Glam 2010 (s.t.896824)[w.g.] <b>Technical Specifications:</b> Particolare decalcato[D], Indicatore di direzione 4 led[L4]
2	86720400WB05	LH side panel upper	1	<b>year:</b> 2010[A] <b>Color:</b> Replica Alitalia 2010 (s.t.897897)[r.ali] <b>Technical Specifications:</b> Particolare decalcato[D]
3	86142500W2G	Lower RH side panel, grey	1	<b>year:</b> 2006[6] <b>Color:</b> Nero Diablo 2006[black], Bianco Aprilia 2006[white] <b>Technical Specifications:</b> Particolare decalcato[D]
3	86303400W2G	Lower RH side panel, grey	1	<b>year:</b> 2007[7] <b>Color:</b> Rosso Spain's 2007 (s.t.852738)[red7] <b>Technical Specifications:</b> Particolare decalcato[D]
3	86303400W2G	Lower RH side panel, grey	1	<b>year:</b> 2008[8] <b>Color:</b> Rosso Spain's 2008 (s.t.856883)[red8] <b>Technical Specifications:</b> Particolare decalcato[D]
3	86511400WOR	RH red side panel,lower	1	<b>year:</b> 2008[8] <b>Color:</b> Nero Aprilia 2008 (s.t.860430)[a.blk]

<b>Assembly</b>	FRAME
<b>Code</b>	28.08
<b>Description</b>	Central body
<b>Revision</b>	1



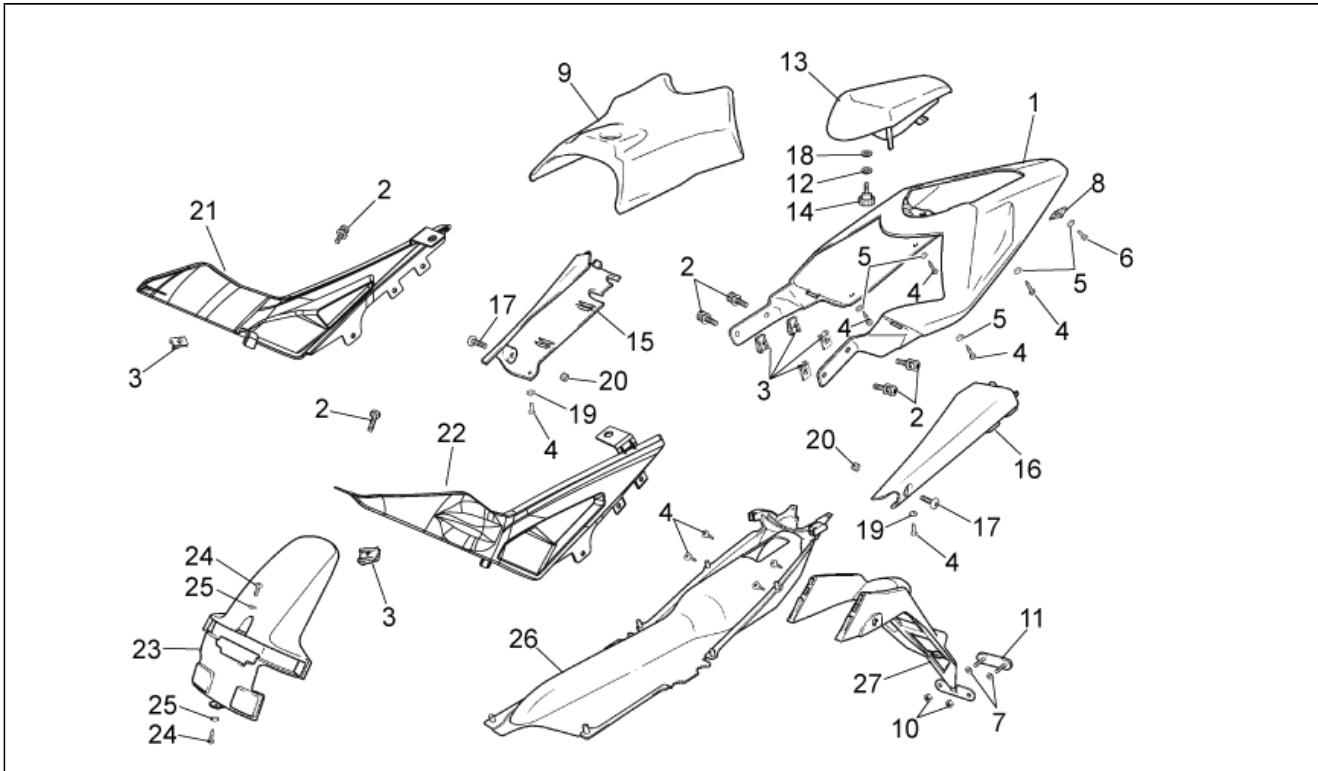
Pos.	Code	Description	Q.ty	Variants
				<b>Technical Specifications:</b> Particolare decalcato[D]
3	86511400W3R	RH red side panel,lower	1	<b>year:</b> 2008[8] <b>Color:</b> Rosso Fluo 2008 (s.t.860429)[fluo] <b>Technical Specifications:</b> Particolare decalcato[D]
3	86663500W3R	RH red side panel,lower	1	<b>year:</b> 2009[9] <b>Color:</b> Replica SBK 2009 (s.t.895055)[sbk] <b>Technical Specifications:</b> Particolare decalcato[D]
3	86704300W0N5	RH side panel,lower	1	<b>year:</b> 2010[A] <b>Color:</b> Bianco Glam 2010 (s.t.896824)[w.g.] <b>Technical Specifications:</b> Particolare decalcato[D]
3	86720500W3R5	RH red side panel,lower	1	<b>year:</b> 2010[A] <b>Color:</b> Replica Alitalia 2010 (s.t.897897)[r.ali] <b>Technical Specifications:</b> Particolare decalcato[D]
4	86142600W2G	Lower LH side panel, grey	1	<b>year:</b> 2006[6] <b>Color:</b> Nero Diablo 2006[black], Bianco Aprilia 2006[white] <b>Technical Specifications:</b> Particolare decalcato[D]
4	86303500W2G	Lower LH side panel, grey	1	<b>year:</b> 2007[7] <b>Color:</b> Rosso Spain's 2007 (s.t.852738)[red7] <b>Technical Specifications:</b> Particolare decalcato[D]
4	86303500W2G	Lower LH side panel, grey	1	<b>year:</b> 2008[8] <b>Color:</b> Rosso Spain's 2008 (s.t.856883)[red8] <b>Technical Specifications:</b> Particolare decalcato[D]
4	86511500W0R	LH red side panel, lower	1	<b>year:</b> 2008[8] <b>Color:</b> Nero Aprilia 2008 (s.t.860430)[a.blk] <b>Technical Specifications:</b> Particolare decalcato[D]
4	86511500W3R	LH red side panel, lower	1	<b>year:</b> 2008[8] <b>Color:</b> Rosso Fluo 2008 (s.t.860429)[fluo] <b>Technical Specifications:</b> Particolare decalcato[D]
4	86663600W3R	LH red side panel, lower	1	<b>year:</b> 2009[9] <b>Color:</b> Replica SBK 2009 (s.t.895055)[sbk] <b>Technical Specifications:</b> Particolare decalcato[D]
4	86704400W0N5	LH side panel, lower	1	<b>year:</b> 2010[A] <b>Color:</b> Bianco Glam 2010 (s.t.896824)[w.g.] <b>Technical Specifications:</b> Particolare decalcato[D]

<b>Assembly</b>	FRAME
<b>Code</b>	28.08
<b>Description</b>	Central body
<b>Revision</b>	1



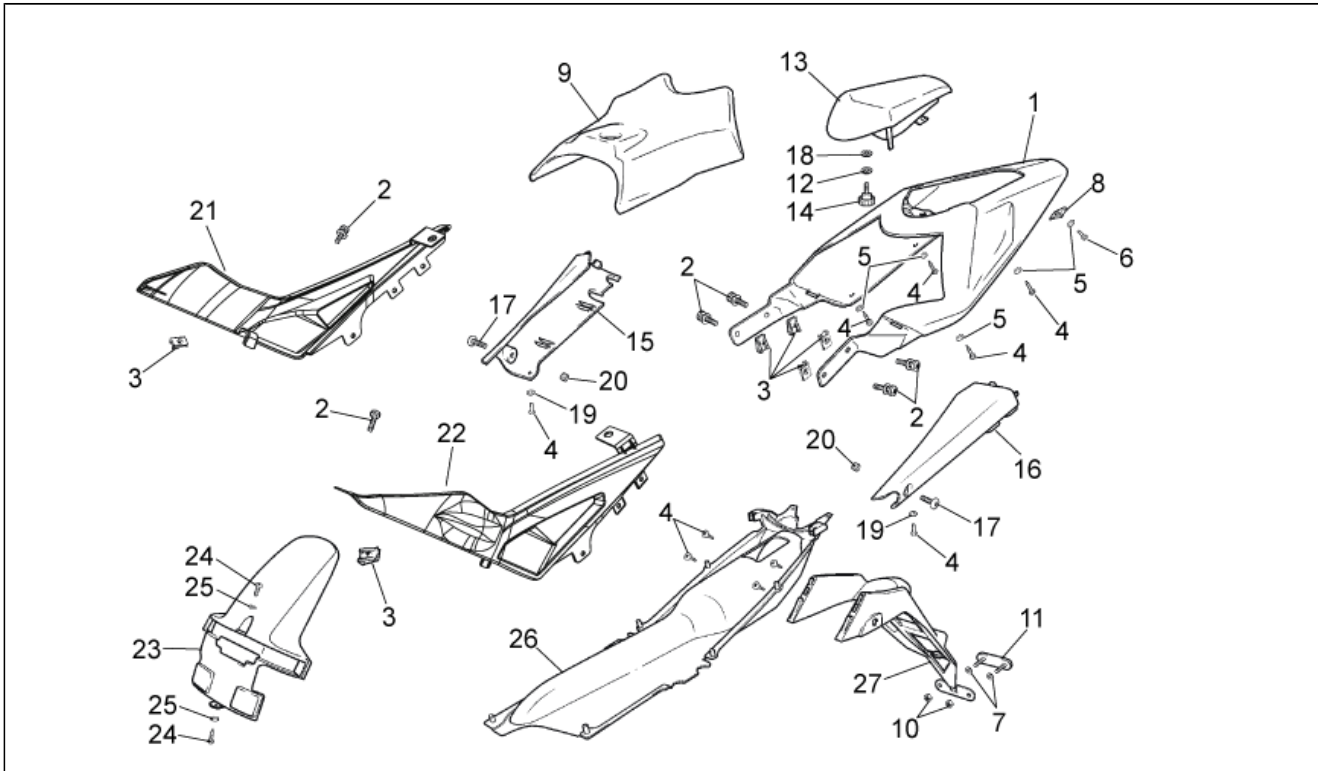
Pos.	Code	Description	Q.ty	Variants
4	86720600W3R5	LH red side panel, lower	1	year: 2010[A] Color: Replica Alitalia 2010 (s.t.897897)[r.ali] Technical Specifications:Particolare decalcato[D]
5	00H04402971	Upper RH fairing	1	
6	00H04402981	Upper LH fairing	1	
7	00G06300671	Washer	10	
8	AP8152298	Screw w/ flange	12	
9	AP8121795	T bush *	2	
10	00G04401462	Nut D5	12	
11	00H02205461	RH support	1	
12	00H05906521	LH support	1	
13	00000011416	Self-tap screw 4,8x16	4	
14	00031105000	Washer D5	4	
15	00011041600	Self-tap screw 4,2X16	2	
16	AP8202449	Clip	2	
17	861037	Plate	1	
18	00D01501371	Nut D6	1	
19	00H06300861	Screw 6X14	1	

<b>Assembly</b>	FRAME
<b>Code</b>	28.09
<b>Description</b>	Rear body
<b>Revision</b>	1



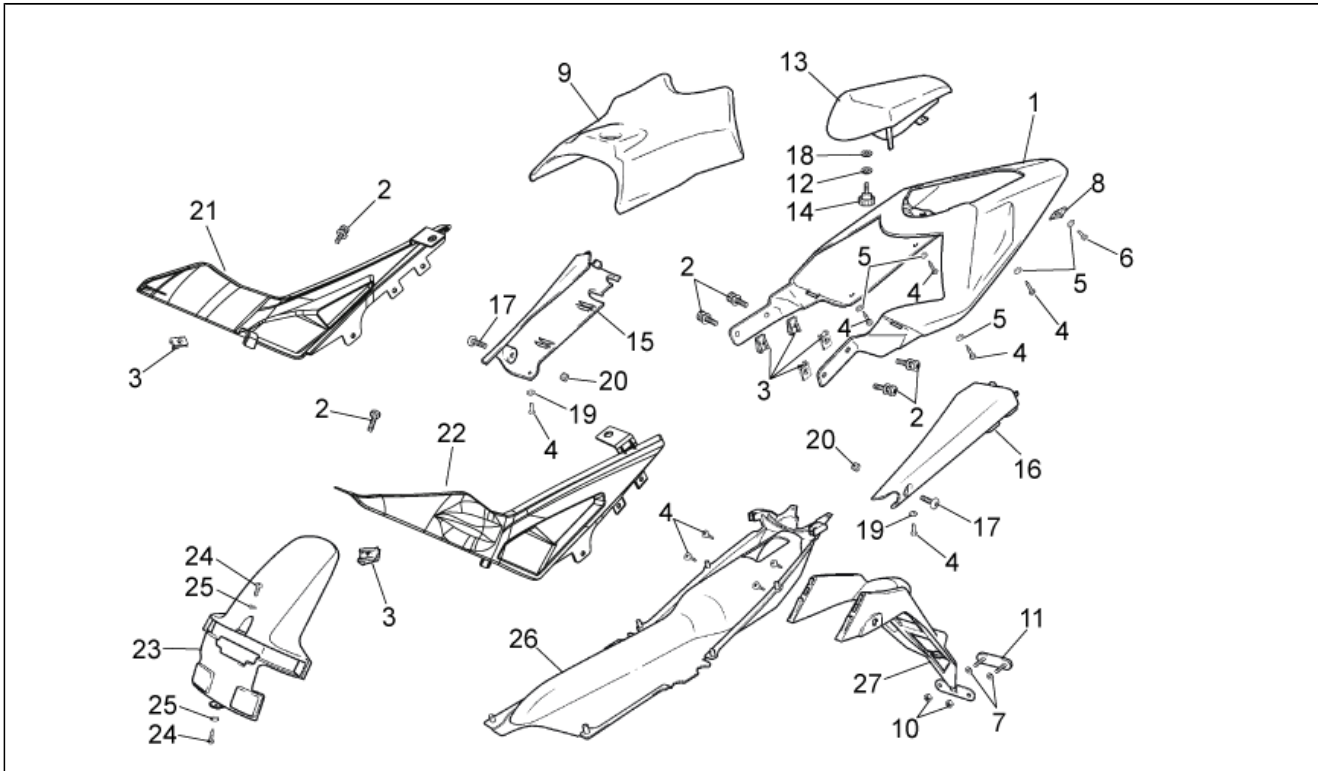
Pos.	Code	Description	Q.ty	Variants
1	86142900WG3	Rear fairing, grey	1	year: 2006[6] Color: Nero Diablo 2006[black], Bianco Aprilia 2006[white] Technical Specifications:Particolare decalco[D]
1	86302900WR0	Rear fairing, red	1	year: 2007[7] Color: Rosso Spain's 2007 (s.t.852738)[red7] Technical Specifications:Particolare decalco[D]
1	86461400WR0	Rear fairing, red	1	year: 2008[8] Color: Rosso Spain's 2008 (s.t.856883)[red8] Technical Specifications:Particolare decalco[D]
1	86511600WB0	Rear fairing, A.white	1	year: 2008[8] Color: Rosso Fluo 2008 (s.t.860429)[fluo] Technical Specifications:Particolare decalco[D]
1	86511600WN0	Rear fairing, a.black	1	year: 2008[8] Color: Nero Aprilia 2008 (s.t.860430)[a.blk] Technical Specifications:Particolare decalco[D]
1	86663100WN0	Rear fairing, a.black	1	year: 2009[9] Color: Replica SBK 2009 (s.t.895055)[sbk] Technical Specifications:Particolare decalco[D]
1	86663101WN05	Rear fairing, a.black	1	year: 2010[A] Color: Replica Alitalia 2010 (s.t.897897)[r.ali] Technical Specifications:Particolare decalco[D]
1	86704600WN35	Rear fairing, white	1	year: 2010[A] Color: Bianco Glam 2010 (s.t.896824)[w.g.] Technical Specifications:Particolare decalco[D]
2	00F05900041	Screw M6x16	6	
3	00D01501371	Nut D6	6	
4	00011031401	Screw	10	
5	00000031050	Washer D5	6	
6	00008051600	Screw 5M80X16	1	
7	00D02600631	Washer	2	
8	00G04401462	Nut D5	1	
9	00H00624011	Driver saddle, black	1	year: 2007[7]

<b>Assembly</b>	FRAME
<b>Code</b>	28.09
<b>Description</b>	Rear body
<b>Revision</b>	1



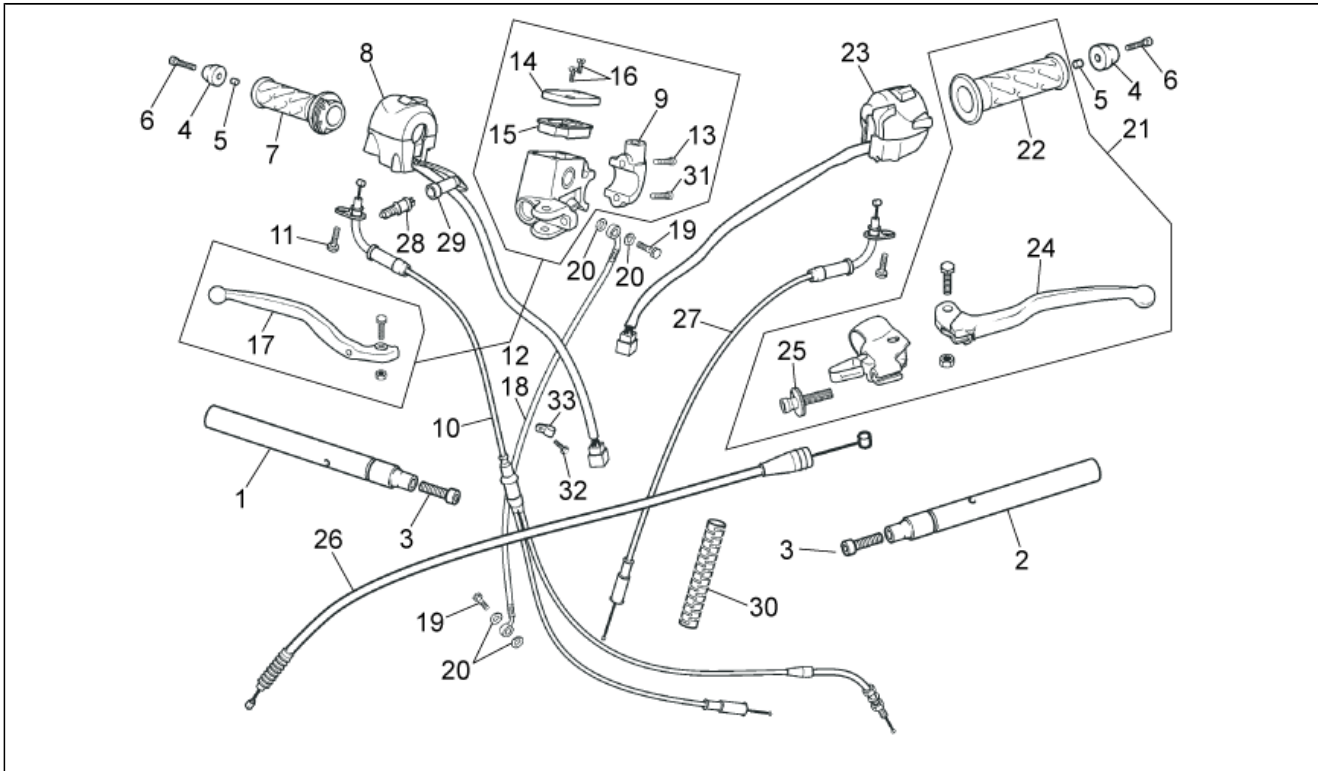
Pos.	Code	Description	Q.ty	Variants
				<b>Color:</b> Rosso Spain's 2007 (s.t.852738)[red7]
9	00H00624011	Driver saddle, black	1	<b>year:</b> 2008[8] <b>Color:</b> Rosso Spain's 2008 (s.t.856883)[red8]
9	00H00624011	Driver saddle, black	1	<b>year:</b> 2008[8] <b>Color:</b> Nero Aprilia 2008 (s.t.860430)[a.blk], Rosso Fluo 2008 (s.t.860429)[fluo]
9	86143000W02	Driver saddle	1	<b>year:</b> 2006[6] <b>Color:</b> Nero Diablo 2006[black], Bianco Aprilia 2006[white]
9	86143000W04	Driver saddle, black	1	<b>year:</b> 2009[9], 2010[A] <b>Color:</b> Replica Alitalia 2010 (s.t.897897)[r.ali], Replica SBK 2009 (s.t.895055)[sbk], Bianco Glam 2010 (s.t.896824)[w.g.]
10	00000023040	Nut	2	
11	00G04403752	Reflector	1	
12	00D01200171	Washer D6	1	
13	00H00604871	Rear saddle	1	<b>year:</b> 2006[6], 2008[8] <b>Color:</b> Nero Aprilia 2008 (s.t.860430)[a.blk], Nero Diablo 2006[black]
13	00H00604871	Rear saddle	1	<b>year:</b> 2006[6], 2008[8] <b>Color:</b> Rosso Fluo 2008 (s.t.860429)[fluo], Bianco Aprilia 2006[white]
13	86303700W02	Rear saddle, red	1	<b>year:</b> 2007[7], 2008[8], 2010[A] <b>Color:</b> Replica Alitalia 2010 (s.t.897897)[r.ali], Rosso Spain's 2007 (s.t.852738)[red7], Rosso Spain's 2008 (s.t.856883)[red8]
13	86303700W08	Rear saddle, black	1	<b>year:</b> 2010[A] <b>Color:</b> Bianco Glam 2010 (s.t.896824)[w.g.]
14	00H06101251	Screw	1	
15	00H00508081	Saddle covers,rh	1	<b>Color:</b> Nero Aprilia 2008 (s.t.860430)[a.blk], Nero Diablo 2006[black], Rosso Fluo 2008 (s.t.860429)[fluo]
15	00H00508081	Saddle covers,rh	1	<b>Color:</b> Rosso Spain's 2007 (s.t.852738)[red7], Rosso Spain's 2008 (s.t.856883)[red8]

<b>Assembly</b>	FRAME
<b>Code</b>	28.09
<b>Description</b>	Rear body
<b>Revision</b>	1



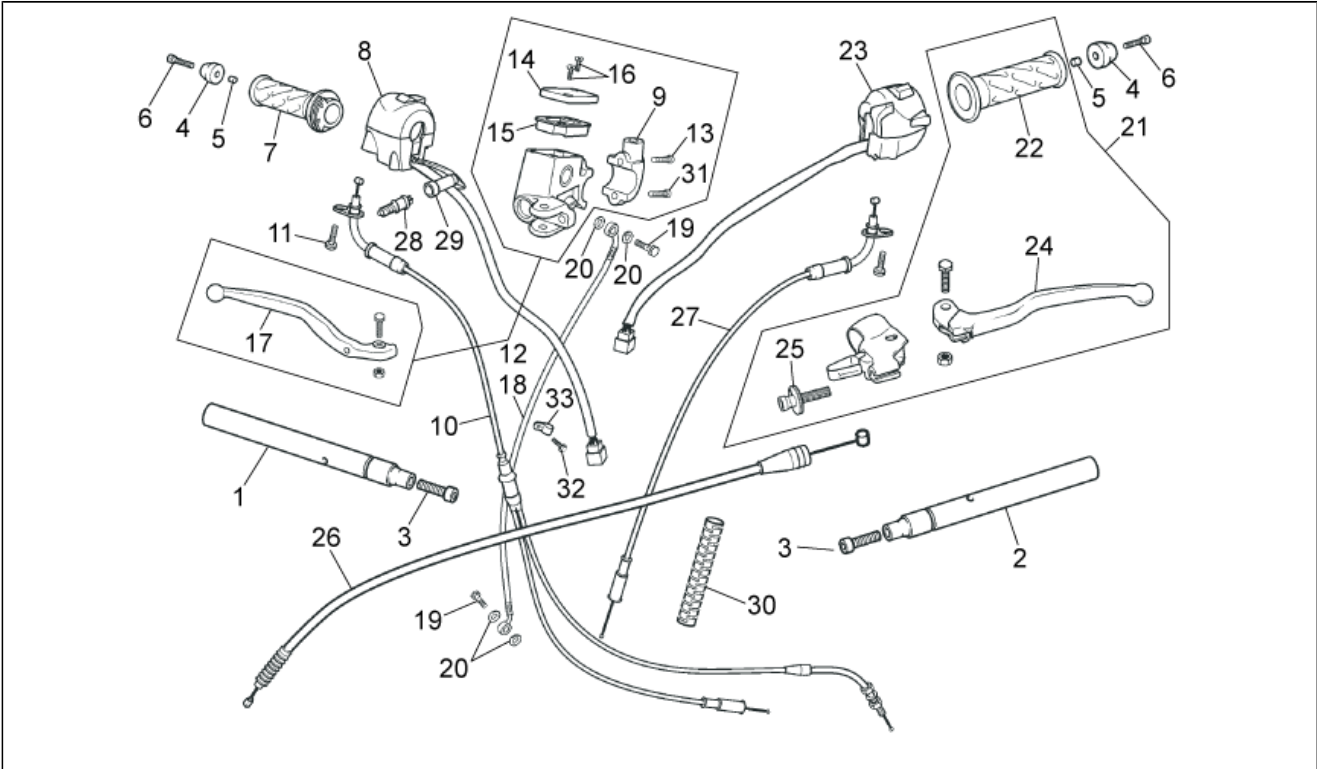
Pos.	Code	Description	Q.ty	Variants
15	00H00508081	Saddle covers,rh	1	<b>Color:</b> Bianco Glam 2010 (s.t.896824)[w.g.], Bianco Aprilia 2006[white]
15	86664100WON	Saddle covers,rh	1	<b>year:</b> 2009[9], 2010[A] <b>Color:</b> Replica Alitalia 2010 (s.t.897897)[r.ali], Replica SBK 2009 (s.t.895055)[sbk] <b>Technical Specifications:</b> Particolare decalco[D]
16	00H00508071	Saddle covers,lh	1	<b>Color:</b> Nero Aprilia 2008 (s.t.860430)[a.blk], Nero Diablo 2006[black], Rosso Fluo 2008 (s.t.860429)[fluo]
16	00H00508071	Saddle covers,lh	1	<b>Color:</b> Rosso Spain's 2007 (s.t.852738)[red7], Rosso Spain's 2008 (s.t.856883)[red8]
16	00H00508071	Saddle covers,lh	1	<b>Color:</b> Bianco Glam 2010 (s.t.896824)[w.g.], Bianco Aprilia 2006[white]
16	86664200WON	Saddle covers,lh	1	<b>year:</b> 2009[9], 2010[A] <b>Color:</b> Replica Alitalia 2010 (s.t.897897)[r.ali], Replica SBK 2009 (s.t.895055)[sbk] <b>Technical Specifications:</b> Particolare decalco[D]
17	00H01501701	Screw	2	
18	00003515370	Washer	1	
19	00000031050	Washer D5	2	
20	00H04400711	Nut	1	
21	00H04419771	RH side cover	1	
22	00H04419781	LH side cover	1	
23	00H00707121	Rear mudguard	1	
24	00011241300	Self-tap screw 4,2x13	2	
25	00000031050	Washer D5	2	
26	00H00706381	Saddle supp.lower lockup	1	
27	00H00717341	Number plate holder	1	

<b>Assembly</b>	FRAME
<b>Code</b>	28.10
<b>Description</b>	Controls
<b>Revision</b>	1



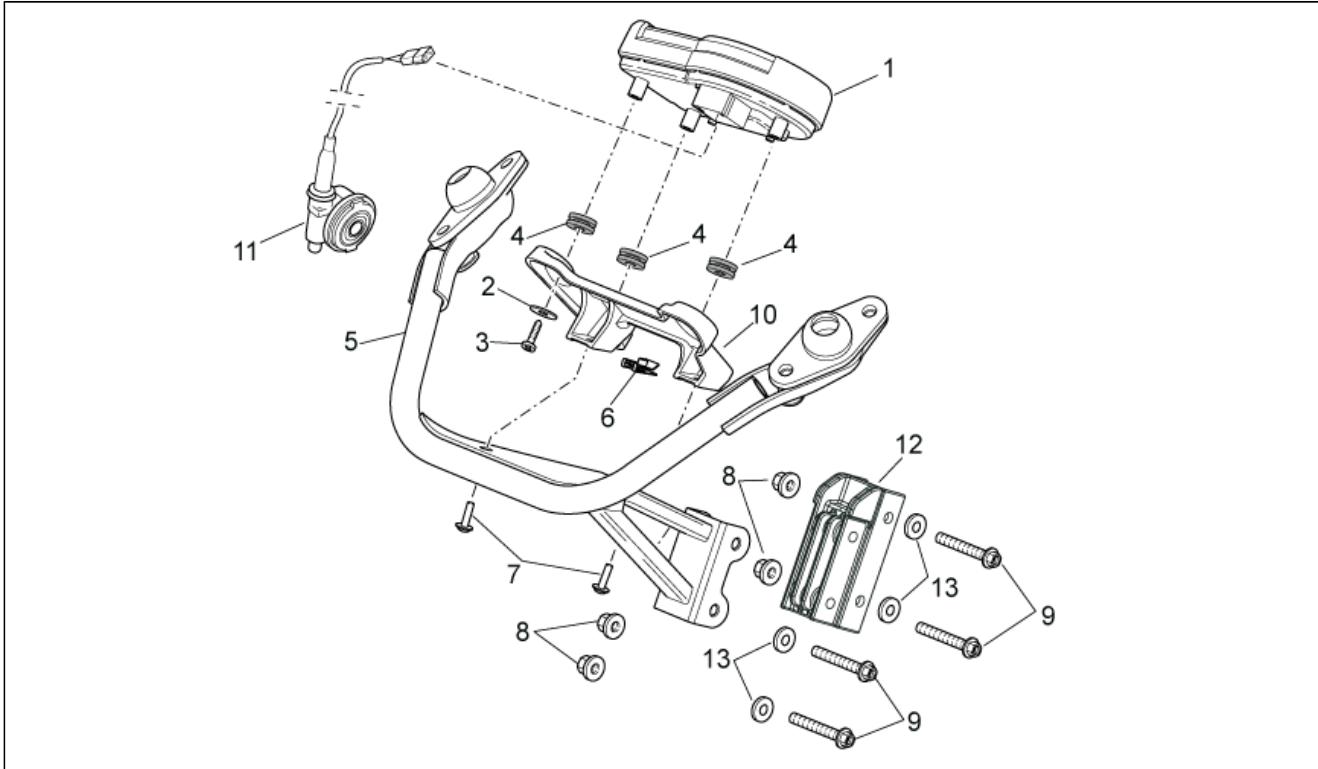
Pos.	Code	Description	Q.ty	Variants
1	00H00902471	Right half handlebar	1	
2	00H00902481	Left half handlebar	1	
3	00002083001	Screw	2	
4	00G02102923	H.bars anti.v weight	2	
5	00H01600911	Pin	2	
6	00004154000	Screw	2	
7	00H00903081	Throttle+hand grip	1	
8	00H02101631	Switch	1	
9	00H02101901	U-bolt	1	
10	00H00932171	Throttle cable w/ splitter	1	
11	00000012516	Screw	1	
12	00H02111081	Front master cilinder	1	
13	00004163500	Screw	1	
14	00H02102191	Tank cover	1	
15	00H02102861	Gasket	1	
16	00014041200	Screw 4M80X12	2	
17	00H00907201	Lever	1	
18	00H00922751	Brake hose	1	
19	00006309260	Oil pipe screw	1	
20	00006321040	Washer	4	
21	00H02108611	Clutch control complete	1	
22	00H00902071	LH hand grip	1	
23	861205	LH lights selector	1	
24	00H00904291	Clutch lever	1	
25	00H00900551	Clutch lever adjuster	1	
26	00H00921301	Clutch cable	1	
27	00H00904651	Choke cable	1	
28	00D01000701	Brake light switch	1	

<b>Assembly</b>	FRAME
<b>Code</b>	28.10
<b>Description</b>	Controls
<b>Revision</b>	1



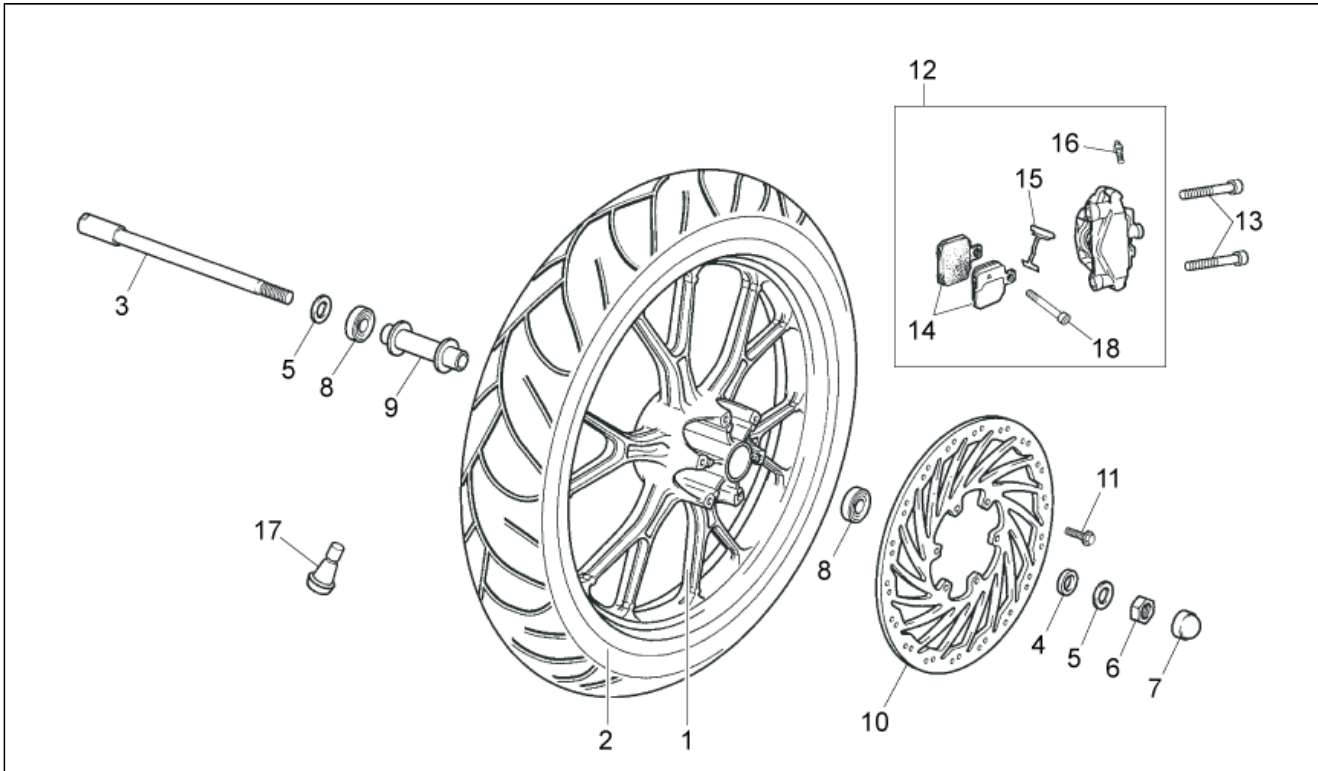
Pos.	Code	Description	Q.ty	Variants
29	00005010760	Cap	1	
30	00H01000541	Protection	1	
31	00004062200	Screw	1	
32	00002061011	Screw	1	
33	00H02200591	Flange	1	

<b>Assembly</b>	FRAME
<b>Code</b>	28.11
<b>Description</b>	Dashboard
<b>Revision</b>	1



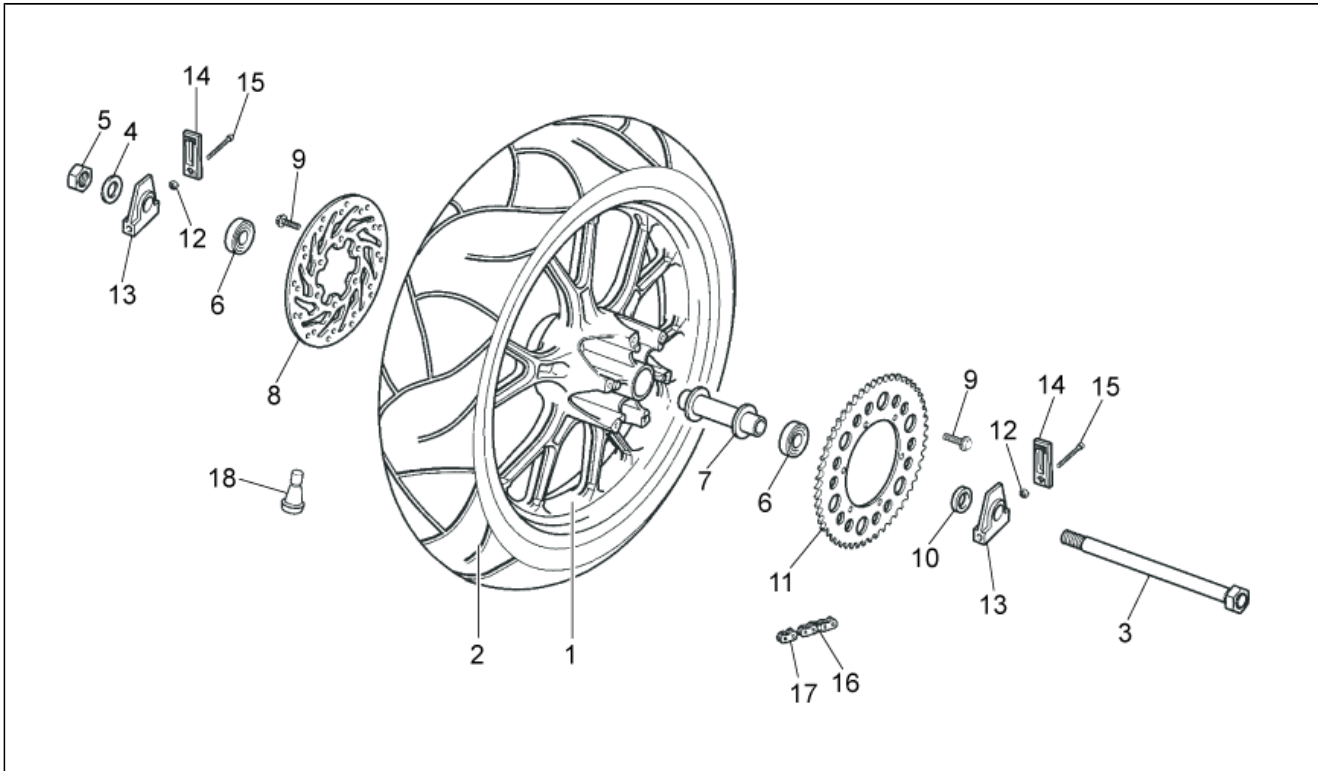
Pos.	Code	Description	Q.ty	Variants
1	864693	Dashboard	1	
2	00H00400351	Washer	3	
3	00011051401	Self-tap screw 5X14	3	
4	AP8220150	Rubber spacer *	3	
5	00H02306241	Instrum.holder frame	1	
6	00D01501371	Nut D6	2	
7	00F05900041	Screw M6x16	2	
8	00000023060	Nut M6100	4	
9	862567	Screw	4	
10	856920	Socket support	1	
11	00H01615051	Gear	1	
12	00H01602661	Clamp	1	
13	00031106000	Washer D6	4	

<b>Assembly</b>	FRAME
<b>Code</b>	28.12
<b>Description</b>	Front wheel
<b>Revision</b>	1



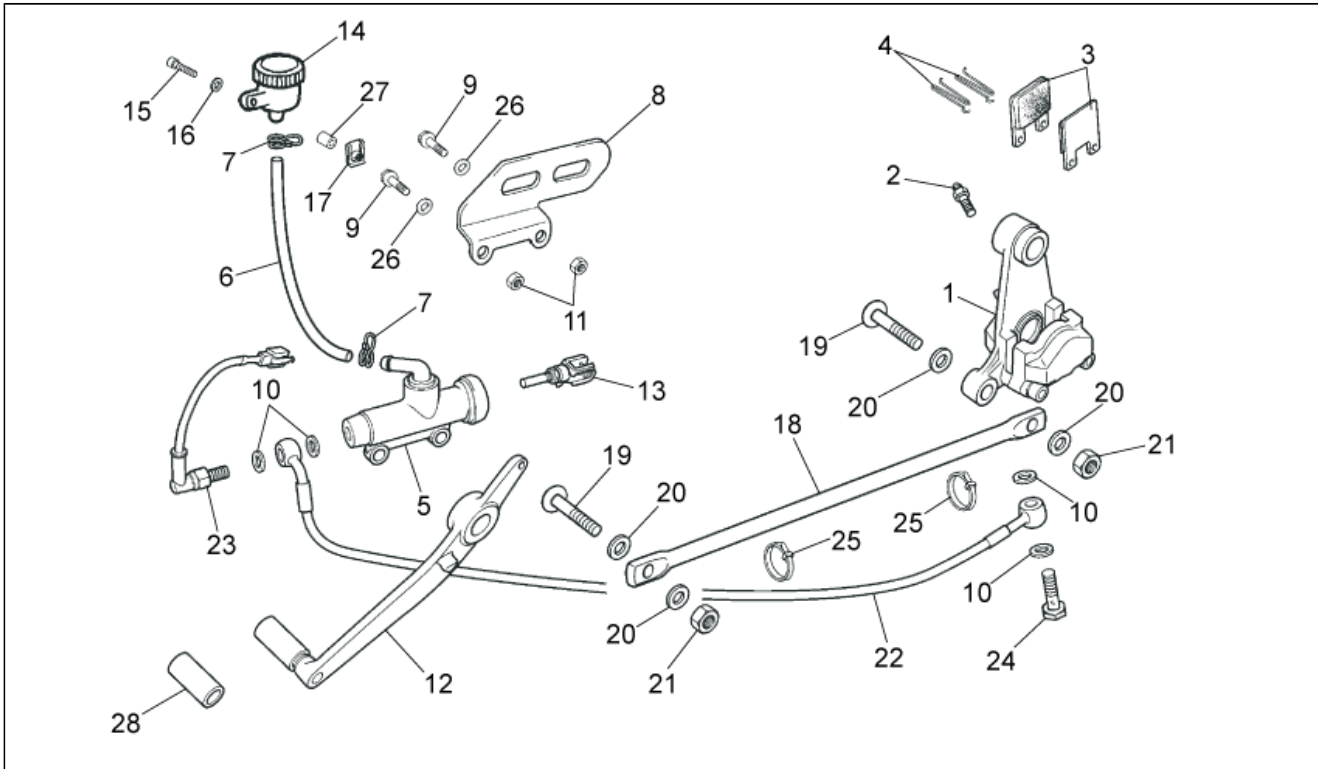
Pos.	Code	Description	Q.ty	Variants
1	00H01212841	Front wheel, black	1	
1	86141500W00	Front wheel, blue	1	<b>Technical Specifications:</b> Fino al telaio 332209[T3]
1	86141500W05	Front wheel, blue	1	<b>Technical Specifications:</b> Dal telaio 332210[T4]
1	86141500W06	Silver stellar Front wheel	1	
2	00H01221111	Tyre	1	
3	00H01205271	Front wheel spindle	1	
4	00H01203291	Spacer	1	
5	00032015000	Washer	1	
6	00H00300672	Nut	1	
7	00H01201331	Protection	1	
8	00058020200	Bearing	2	
9	00H01205031	Internal spacer	1	
10	00H01215021	Brake disc	1	
11	00H02402282	Screw 6X20	6	
12	00H01207191	Front caliper	1	
13	00000004160	Screw	2	
14	00H04704141	Pads pair	1	
15	00H04700171	Spring	1	
16	00H04700121	Bleed valve	1	
17	00G04702091	Air valve	1	
18	00H04703171	Screw	1	

<b>Assembly</b>	FRAME
<b>Code</b>	28.13
<b>Description</b>	Rear wheel
<b>Revision</b>	1



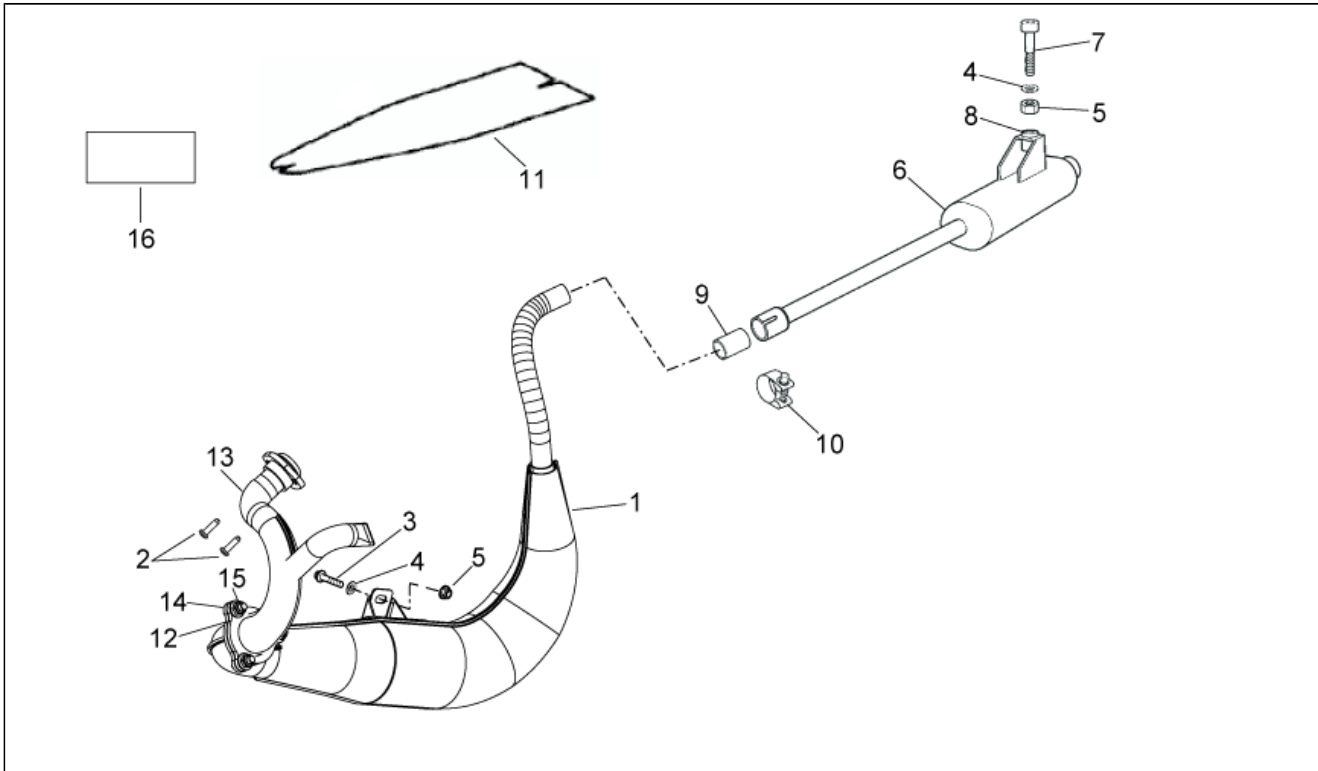
Pos.	Code	Description	Q.ty	Variants
1	00H01310381	Rear wheel, black	1	
1	86141600W00	Rear wheel, blue	1	<b>Technical Specifications:</b> Fino al telaio 332209[T3]
1	86141600W05	Rear wheel, blue	1	<b>Technical Specifications:</b> Dal telaio 332210[T4]
1	86141600W06	Silver stellar Rear wheel	1	
2	00H01323321	Tyre	1	
3	00H01306201	Rear wheel spindle	1	
4	00032015000	Washer	1	
5	00281141503	Nut	1	
6	00058020200	Bearing	2	
7	00H01308091	Internal spacer	1	
8	00H01309531	Rear brake disc	1	
9	00H02402282	Screw 6X20	6	
10	00H01308181	Ring nut	1	
11	00H01323031	Chain ring	1	
12	00000023060	Nut M6100	1	
13	00H01306811	Chain guide plate	1	
14	00H01306171	Cover	1	
15	00H01302491	Screw	1	
16	00H01515201	Chain	1	
17	00H01501211	Connecting link	1	
18	00G04702091	Air valve	1	

<b>Assembly</b>	FRAME
<b>Code</b>	28.14
<b>Description</b>	Rear brake system
<b>Revision</b>	1



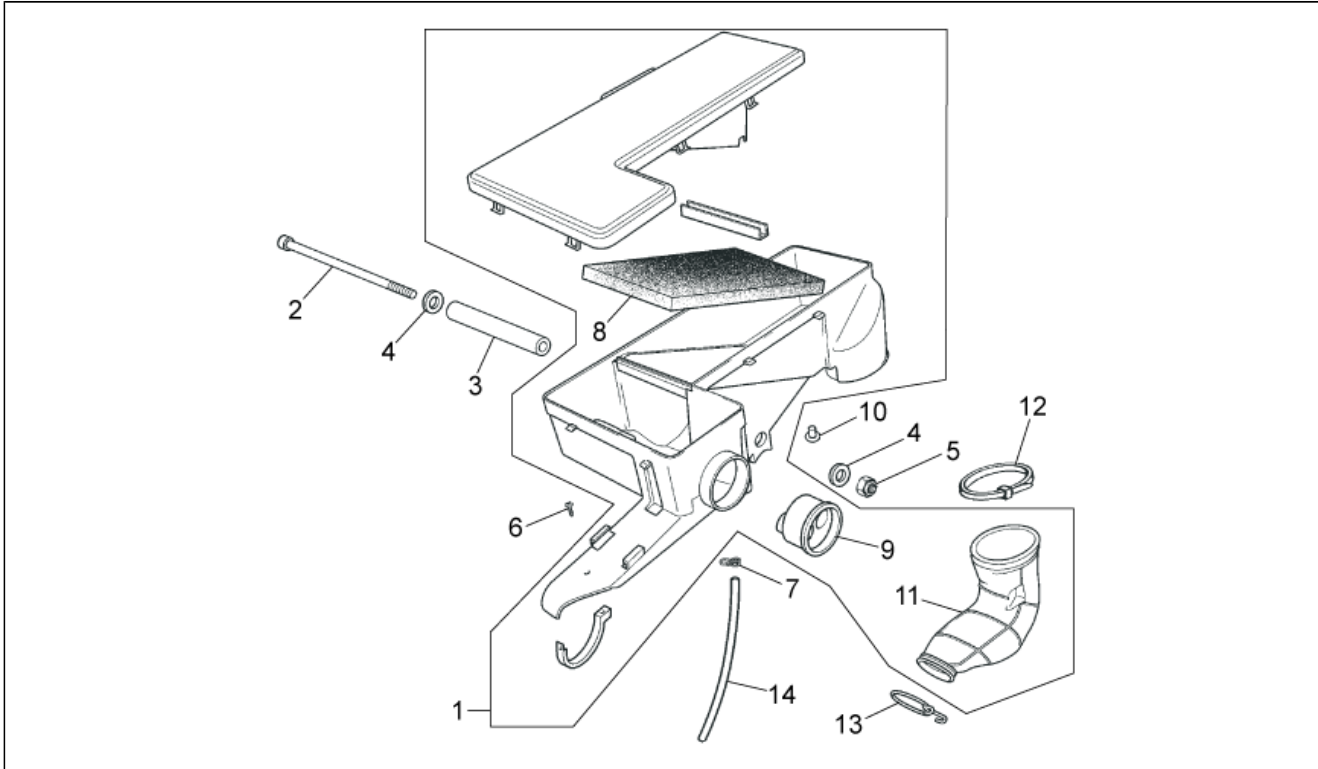
Pos.	Code	Description	Q.ty	Variants
1	00H01105581	Rear caliper	1	
2	00H04700121	Bleed valve	1	
3	00G04700141	Pads pair	1	
4	00H01301831	Spring	2	
5	00H01105181	Rear master cylinder	1	
6	00H01101211	Pipe	1	
7	00H03700131	Hose clamp	2	
8	00H01104701	Protection	1	
9	00G01504701	Screw	1	
10	00006321040	Washer	4	
11	00000023060	Nut M6100	2	
12	00H01100541	Rear brake lever	1	
13	00H01104611	Master cylinder rod	1	
14	00D01100201	Oil tank	1	
15	00002053051	Screw	1	
16	00H03800722	Washer	1	
17	00G04401462	Nut D5	1	
18	00H01301311	Tie rod	1	
19	00G06800211	Screw	2	
20	00402100001	Washer	4	
21	00262100032	Nut 10M150	2	
22	00H01113081	Brake hose	1	
23	00H01100221	Brake light switch	1	
24	00H00902261	Union	1	
25	00D00900531	Hose clamp	2	
26	00402060001	Washer D6 DIN125 AZNB	2	
27	00H01002821	Ring nut	1	
28	00H02701271	Protection	1	

<b>Assembly</b>	FRAME
<b>Code</b>	28.15
<b>Description</b>	Exhaust unit
<b>Revision</b>	1



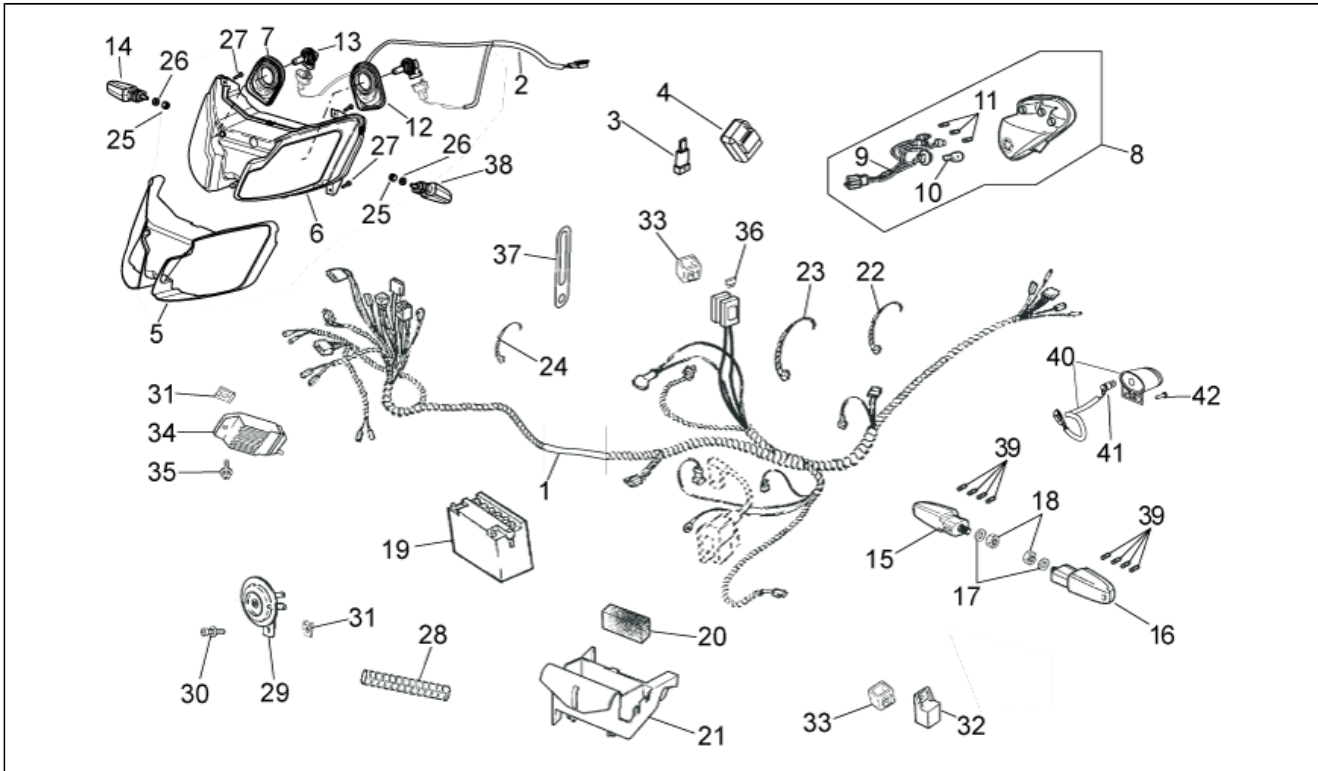
Pos.	Code	Description	Q.ty	Variants
1	861414	Exhaust pipe	1	Country:D, F, E, I[EU]
1	863785	Exhaust pipe	1	Country:Japan[JP]
2	00002062011	Screw M6x20	2	
3	00006082000	Screw	1	
4	00G01500171	Bush	1	
5	00262080022	Nut 8M125	2	
6	00H03430411	Silencer	1	Technical Specifications:Versione standard[std], Fino a telaio n.7H361498[T5]
6	863763	Silencer	1	Technical Specifications:Versione standard[std], Da telaio 7H361499[T6]
7	00000004845	Screw	1	
8	00H02201731	Silent-block	1	
9	00H03405321	Gasket	1	
10	00H03406061	Hose clamp	1	Technical Specifications:Versione standard[std]
10	00H03802461	Hose clamp	1	Technical Specifications:Versione Svizzera E3[kit]
11	00H06300901	Heat protection	1	
12	861508	Gasket	1	
13	865092	Exhaust manifold	1	Technical Specifications:Versione Svizzera E3[kit]
14	00002062011	Screw M6x20	3	Technical Specifications:Versione Svizzera E3[kit]
15	00000023060	Nut M6100	3	Technical Specifications:Versione Svizzera E3[kit]
16	00G05100911	Accessories Bag	1	Technical Specifications:Versione Svizzera E3[kit]

<b>Assembly</b>	FRAME
<b>Code</b>	28.16
<b>Description</b>	Air box
<b>Revision</b>	1



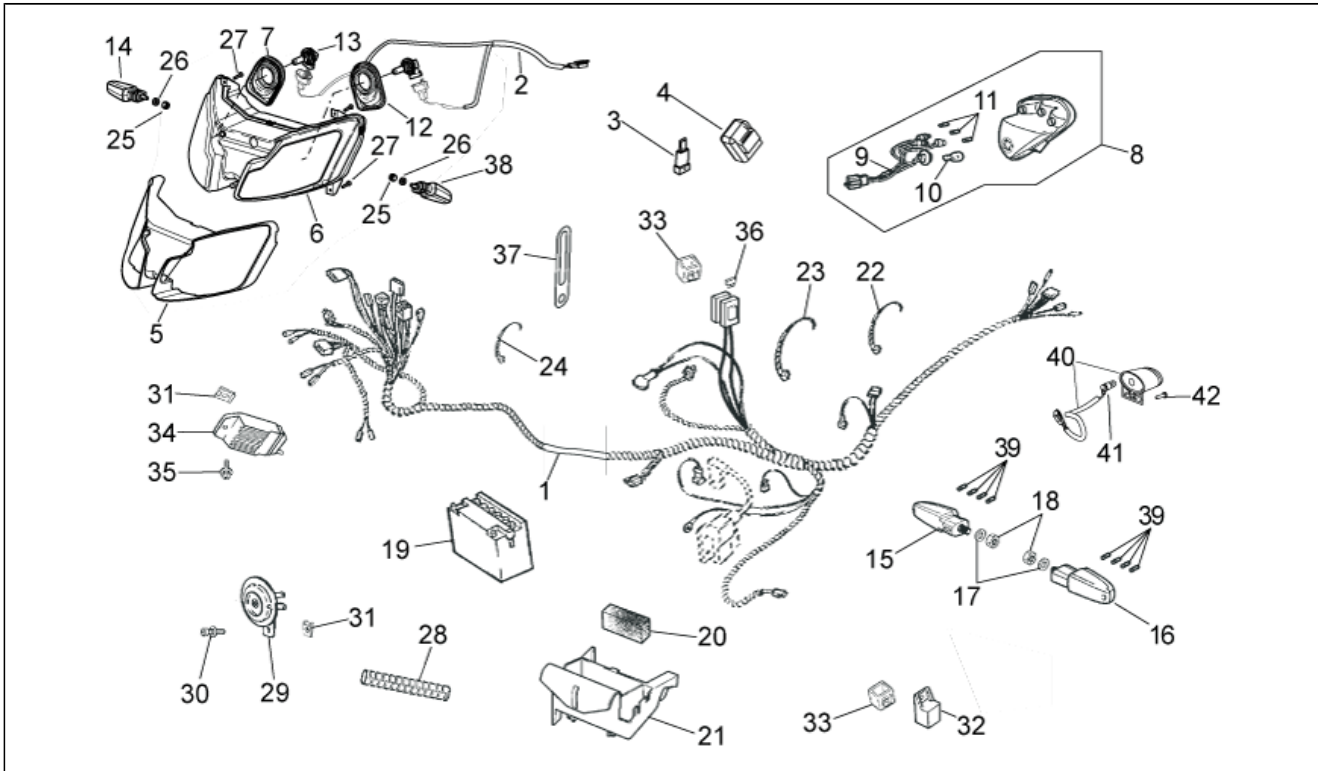
Pos.	Code	Description	Q.ty	Variants
1	00H01810541A	Air box	1	
2	00H06301171	Screw	1	
3	00H00500251	Spacer	1	
4	00G00803101	Washer	2	
5	00023108000	Nut M8x125	1	
6	00011941300	Screw	1	
7	00H03700131	Hose clamp	1	
8	00H03208251	Air filter	1	
9	00H01800621	Diaphragm	1	
10	00H06400101	Plug	1	
11	00H03209261	Intake hose	1	
12	00F00900531	Hose clamp 290X4,8	1	
13	00G03204272	Spring	1	
14	00H03702461	Pipe	1	

<b>Assembly</b>	FRAME
<b>Code</b>	28.17
<b>Description</b>	Electrical system
<b>Revision</b>	1



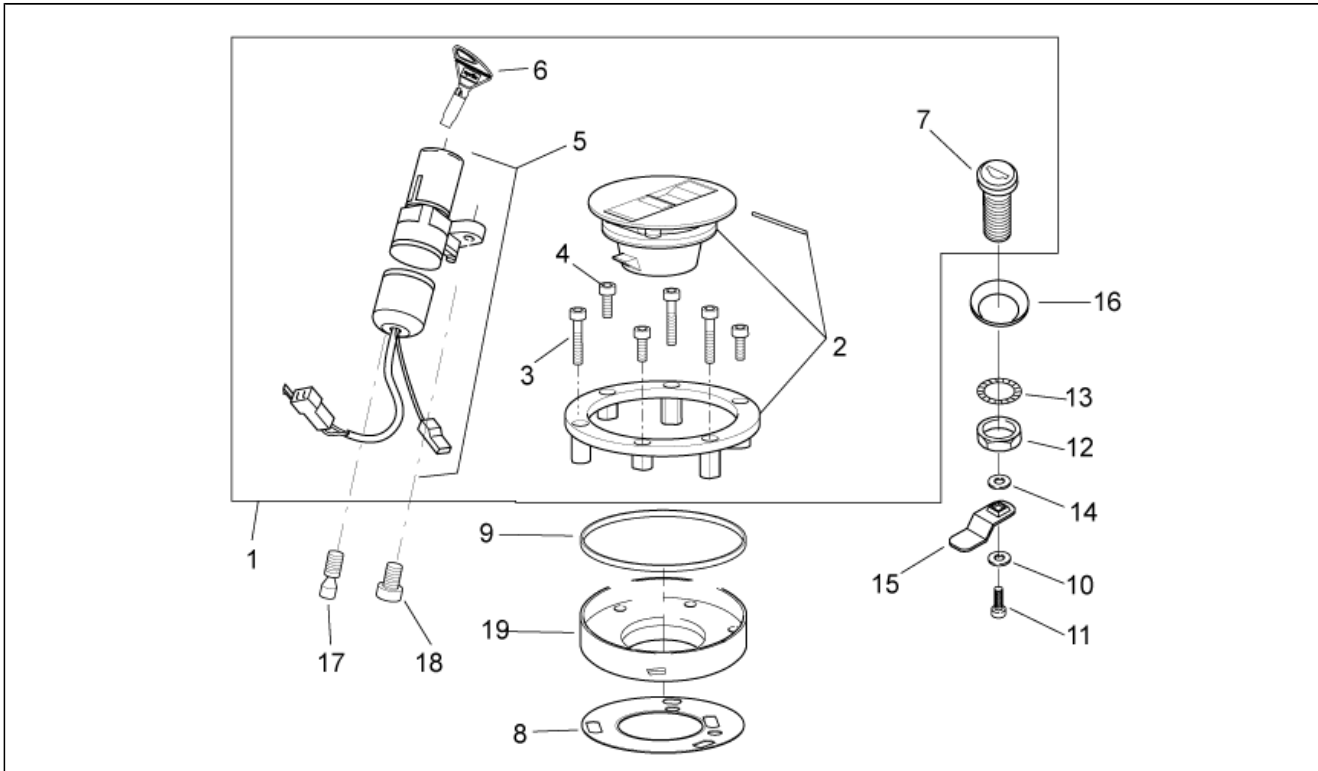
Pos.	Code	Description	Q.ty	Variants
1	861042	Electrical system	1	
2	AP8127746	Headlight wiring w/harness	1	Country:D, F, E, I[EU]
2	AP8224666	Headlight wiring w/harness	1	Country:Japan[JP]
3	AP8212588	Diode	1	
4	AP8127847	Flasher unit	1	
5	AP8179271	Guard	1	
6	AP8224586	Headlight	1	Country:D, F, E, I[EU]
6	AP8224646	Headlight	1	Country:Japan[JP]
7	AP8224656	LH Front headlight guard	1	
8	00H01011321	Taillight	1	
9	00H01003951	Taillight wiring harn.	1	
10	00H01000681	Lamp	1	
11	00H01001371	Lamp	3	
12	AP8224657	LH Front headlight guard	1	
13	00H01004131	Lamp H8	2	
14	860974	RH front turn indicator	1	Technical Specifications:Indicatore di direzione 1 led[L1]
14	AP8127656	RH front turn indicator	1	Technical Specifications:Indicatore di direzione 4 led[L4]
15	00H01702531	Rear RH turn indicator	1	Technical Specifications:Indicatore di direzione 4 led[L4]
15	890213	Rear RH turn indicator	1	Technical Specifications:Indicatore di direzione 1 led[L1]
16	00H01702541	Rear LH turn indicator	1	Technical Specifications:Indicatore di direzione 4 led[L4]
16	890214	Rear LH turn indicator	1	Technical Specifications:Indicatore di direzione 1 led[L1]
17	00034001002	Washer	2	
18	00021010002	Nut	2	
19	00G03302401	Battery	1	
20	00H01803471	Vibration-damping rubber	1	
21	00H03302551	Battery holder	1	
22	00D00900531	Hose clamp	1	
23	00F00900531	Hose clamp 290X4,8	1	

<b>Assembly</b>	FRAME
<b>Code</b>	28.17
<b>Description</b>	Electrical system
<b>Revision</b>	1



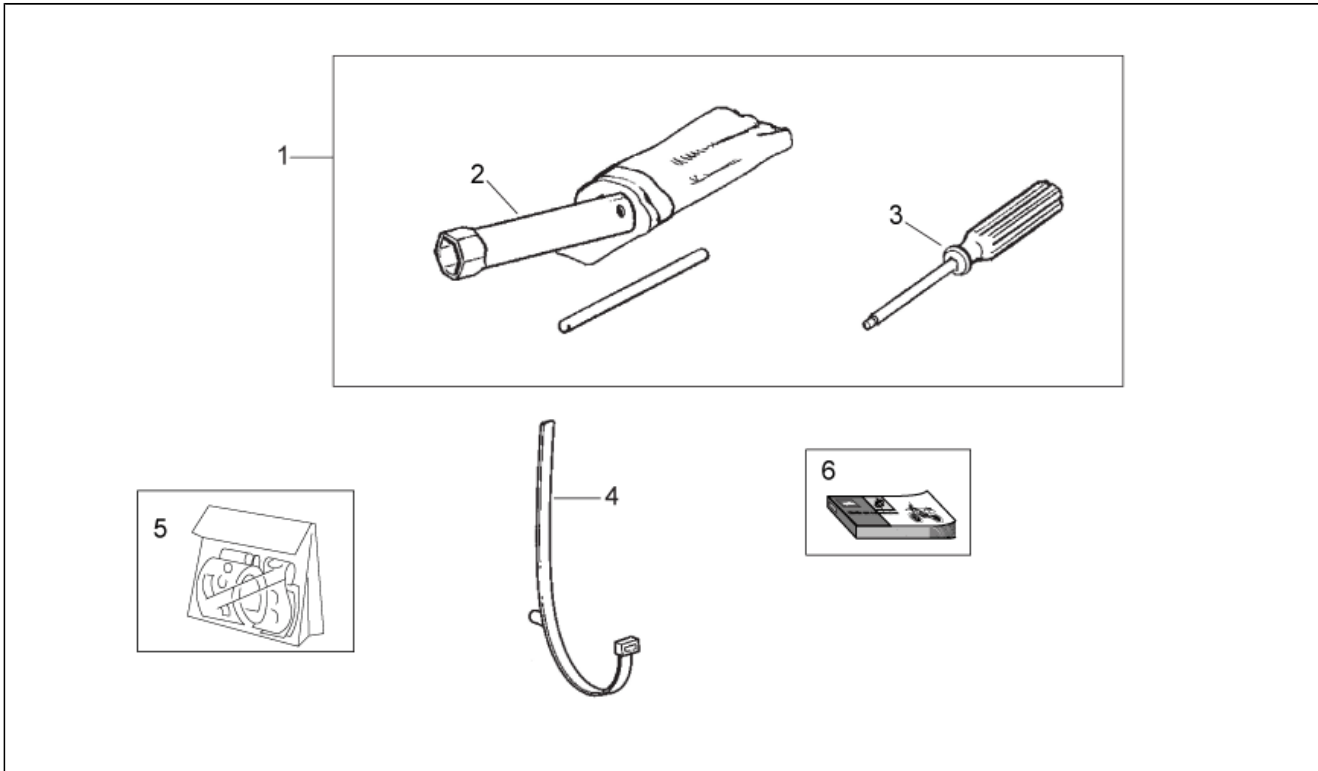
Pos.	Code	Description	Q.ty	Variants
24	00D00900531	Hose clamp	1	
25	00232080021	Nut	2	
26	00402080001	Washer D8	2	
27	00000012415	Screw	4	
28	00H01000541	Protection	1	
29	00H01005311	Horn	1	
30	00G06800021	Screw	1	
31	00D01501371	Nut D6	2	
32	584521	Relay 12V-80A	1	
33	942577	Relay rubber	1	
34	00H01008841	Voltage regulator	1	Country:D, F, E, I[EU]
34	864660	Voltage regulator	1	Country:Switzerland[CH], Japan[JP]
35	00D05900081	Screw 6M100X16	1	
36	00H01001911	Fuse 7,5A	1	
37	00G03702181	Plate	1	
38	860975	LH front turn indicator	1	Technical Specifications:Indicatore di direzione 1 led[L1]
38	AP8127657	LH front turn indicator	1	Technical Specifications:Indicatore di direzione 4 led[L4]
39	00H01702011	Lamp	8	
40	863779	Number-plate light	1	Country:Japan[JP]
41	00H01003131	Lamp 12V-5W	1	Country:Japan[JP]
42	00011031401	Screw	1	Country:Japan[JP]

<b>Assembly</b>	FRAME
<b>Code</b>	28.18
<b>Description</b>	Lock hardware kit
<b>Revision</b>	1



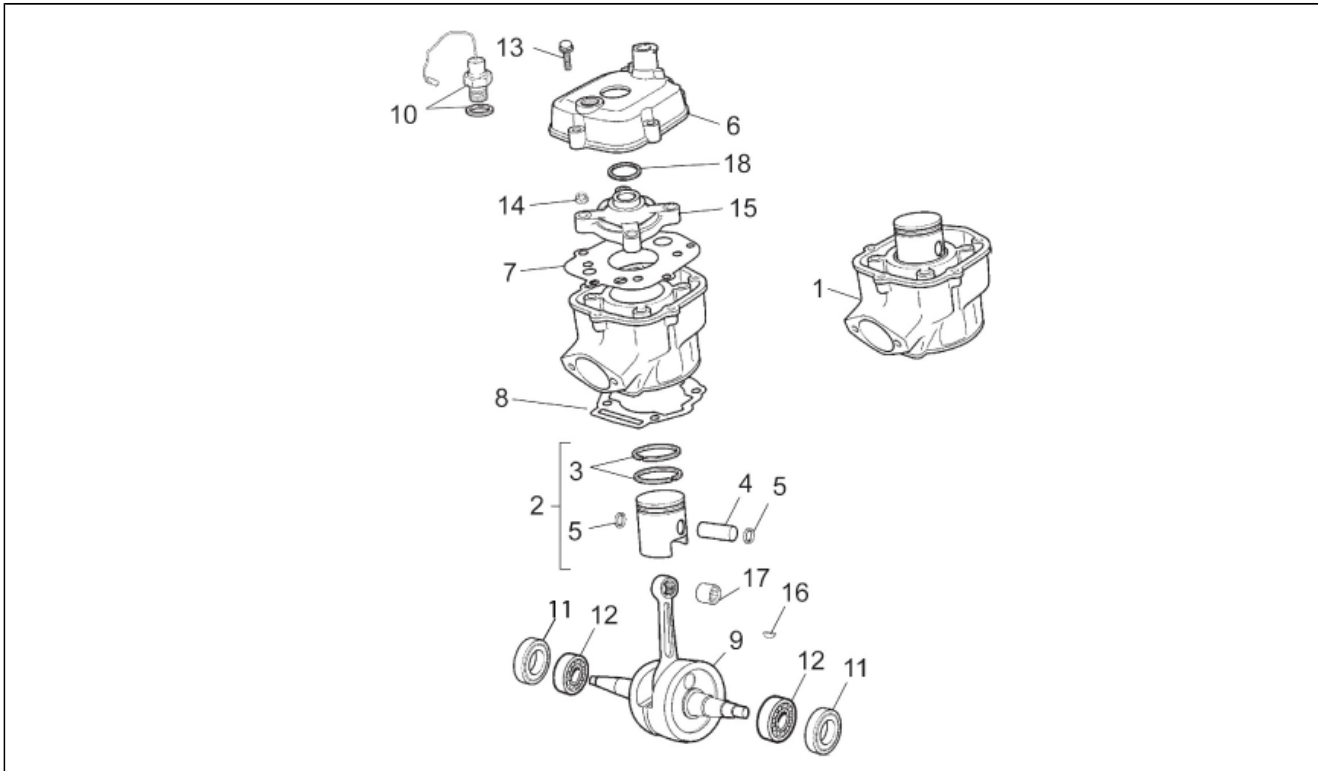
Pos.	Code	Description	Q.ty	Variants
1	861029	Lock hardware kit	1	
2	852073	Fuel filler cap	1	
3	00002053051	Screw	3	
4	00002051251	Screw	4	
5	852072	Main switch - steering lock	1	
6	AP8140710	"Aprilia" key w/out transpo.	1	
7	852074	Saddle lock	1	
8	AP8144159	Fuel tank gasket	1	
9	AP8120893	Cap seal	1	
10	AP8201748	Washer	1	
11	AP8201749	Screw M4x6	1	
12	AP8152194	Low nut M19x1*	1	
13	AP8201305	Nickel plated lock washer *	1	
14	00H00601931	Washer	1	
15	00H00603141	Lever	1	
16	00H00602931	Ring nut	1	
17	00H06300791	Screw	1	
18	00002082021	Screw 8M125x20	1	
19	896548	LOCKS FOR VEHICLES 2R	1	

<b>Assembly</b>	FRAME
<b>Code</b>	28.19
<b>Description</b>	Decal op.handbooks and plate set
<b>Revision</b>	1



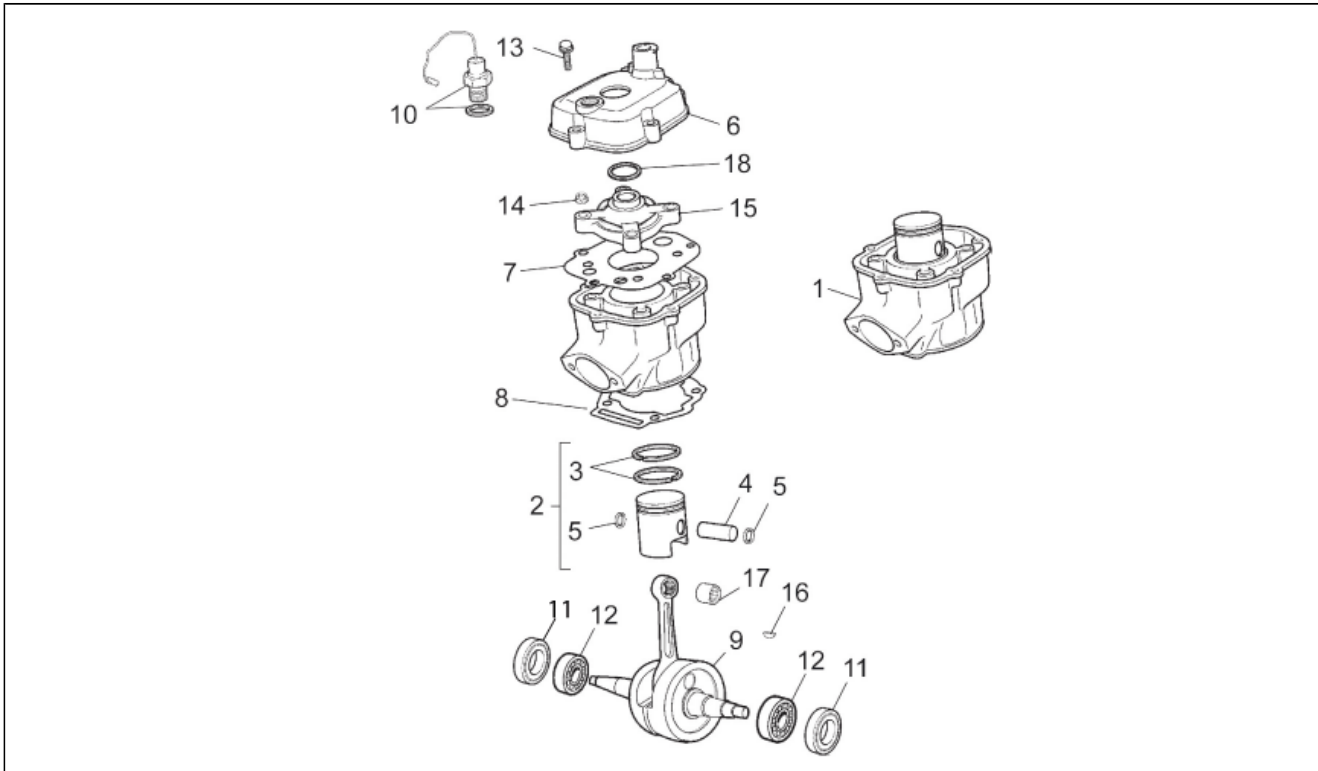
Pos.	Code	Description	Q.ty	Variants
1	861962	Toolkit	1	
2	00H05102011	Spark plug key	1	
3	00005551290	Screwdriver	1	
4	863841	Hose clamp	1	
5	860449	Decal set	1	year: 2008[8] Color:Rosso Fluo 2008 (s.t.860429)[fluo]
5	860450	Decal set	1	year: 2008[8] Color:Nero Aprilia 2008 (s.t.860430)[a.blk]
5	86288900WB0	Decal set	1	year: 2006[6] Color:Bianco Aprilia 2006[white]
5	86288900WN1	Decal set	1	year: 2006[6] Color:Nero Diablo 2006[black]
5	86303600WR0	Decal set	1	year: 2007[7] Color:Rosso Spain's 2007 (s.t.852738)[red7]
5	86461700WR0	Decal set	1	year: 2008[8] Color:Rosso Spain's 2008 (s.t.856883)[red8]
5	895247	Decal set	1	year: 2009[9] Color:Replica SBK 2009 (s.t.895055)[sbk]
5	896827	Decal set	1	year: 2010[A] Color:Bianco Glam 2010 (s.t.896824)[w.g.]
5	897900	Decal set	1	year: 2010[A] Color:Replica Alitalia 2010 (s.t.897897)[r.ali]
6	00H05161121	Operator's handbook E	1	
6	861450	Operator's handbook I	1	
6	861451	Operator's handbook F-D-UK-NL	1	
6	861452	Operator's handbook DK-SF-GR-J	1	

<b>Assembly</b>	ENGINE
<b>Code</b>	29.20
<b>Description</b>	Cylinder - Piston
<b>Revision</b>	1



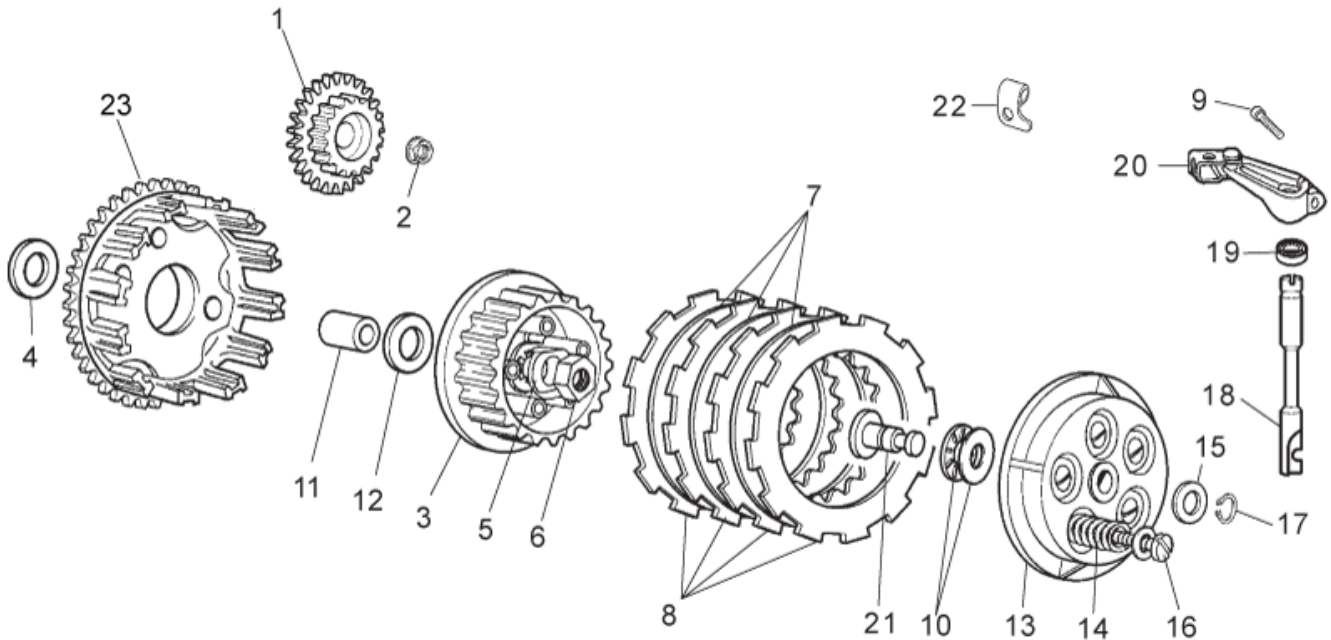
Pos.	Code	Description	Q.ty	Variants
1	8471755	Cylinder with piston	1	<b>Technical Specifications:</b> Cast iron cylinder[CI]
1	8475085	Cylinder with piston	1	<b>Technical Specifications:</b> Aluminum cylinder[AL]
2	8472625001	Piston assy A-V/AL	1	<b>Technical Specifications:</b> Aluminum cylinder[AL]
2	8472625002	Piston assy B-V/AL	1	<b>Technical Specifications:</b> Aluminum cylinder[AL]
2	8472625003	Piston assy C-V/AL	1	<b>Technical Specifications:</b> Aluminum cylinder[AL]
2	8472625004	Piston assy D-V/AL	1	<b>Technical Specifications:</b> Aluminum cylinder[AL]
2	8770700001	Piston assy A-V/FE	1	<b>Technical Specifications:</b> Cast iron cylinder[CI]
2	8770700002	Piston assy B-V/FE	1	<b>Technical Specifications:</b> Cast iron cylinder[CI]
2	8770700003	Piston assy C-V/FE	1	<b>Technical Specifications:</b> Cast iron cylinder[CI]
2	8770700004	Piston assy D-V/FE	1	<b>Technical Specifications:</b> Cast iron cylinder[CI]
3	847006	Piston ring set	2	
4	847012	Piston pin	1	
5	847178	Stop ring	2	
6	CM151901	Head cover	1	
7	847009	Cylinder head gasket	1	
8	847014	Cylinder base gasket	1	<b>Technical Specifications:</b> Aluminum cylinder[AL]
8	CM159501	Gasket V/FE 0,3	1	<b>Technical Specifications:</b> Cast iron cylinder[CI]
8	CM159502	Gasket V/AL 0,5	1	<b>Technical Specifications:</b> Cast iron cylinder[CI]
8	cm159503		1	<b>Technical Specifications:</b> Cast iron cylinder[CI]
9	847026	Drive shaft	1	
10	847010	Temp. Sensor	1	
11	847020	Oil seal	2	
12	847172	Bearing	2	
13	847020	Oil seal	1	
14	436947	Nut 7M100	1	
15	847008	Cylinder head	1	
16	847215	Transmission key	1	
17	847529	Cage	1	

<b>Assembly</b>	ENGINE
<b>Code</b>	29.20
<b>Description</b>	Cylinder - Piston
<b>Revision</b>	1



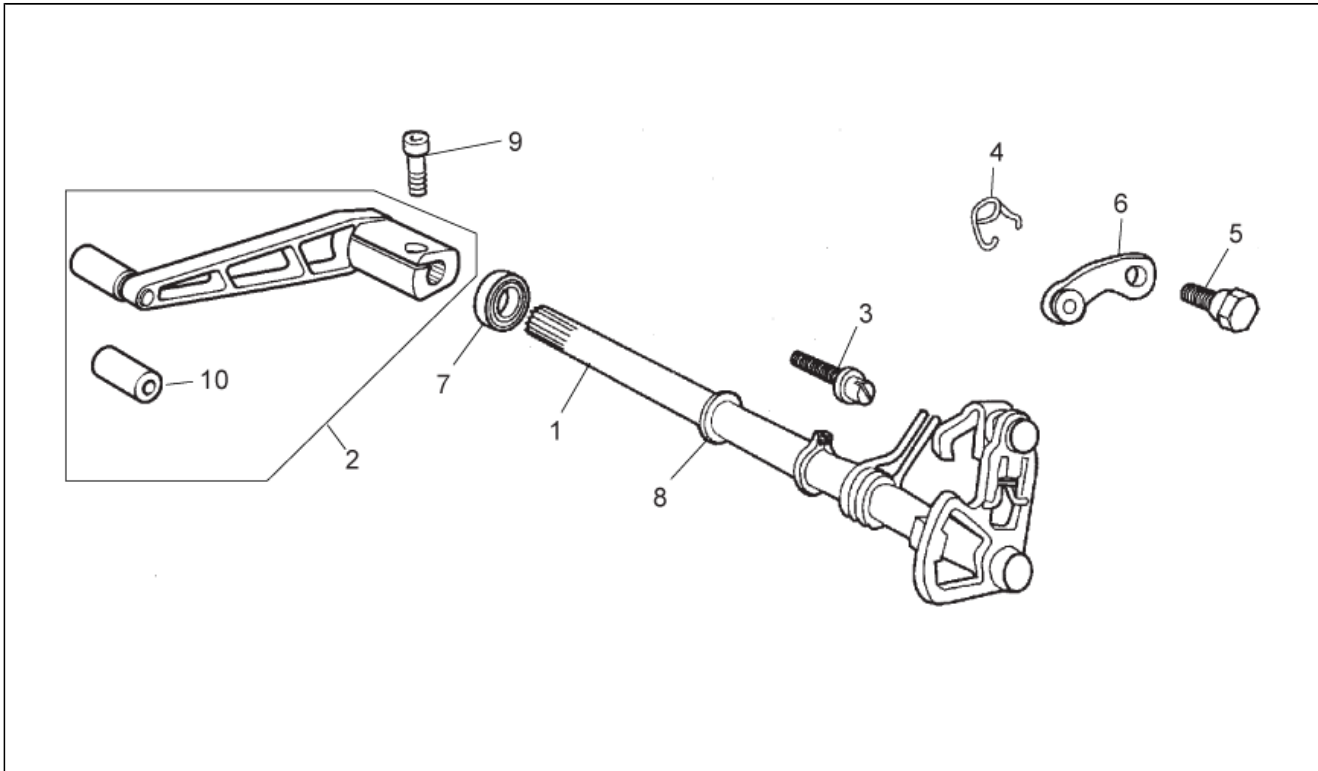
Pos.	Code	Description	Q.ty	Variants
18	847007	Cylinder head gasket	1	

<b>Assembly</b>	ENGINE
<b>Code</b>	29.21
<b>Description</b>	Clutch
<b>Revision</b>	1



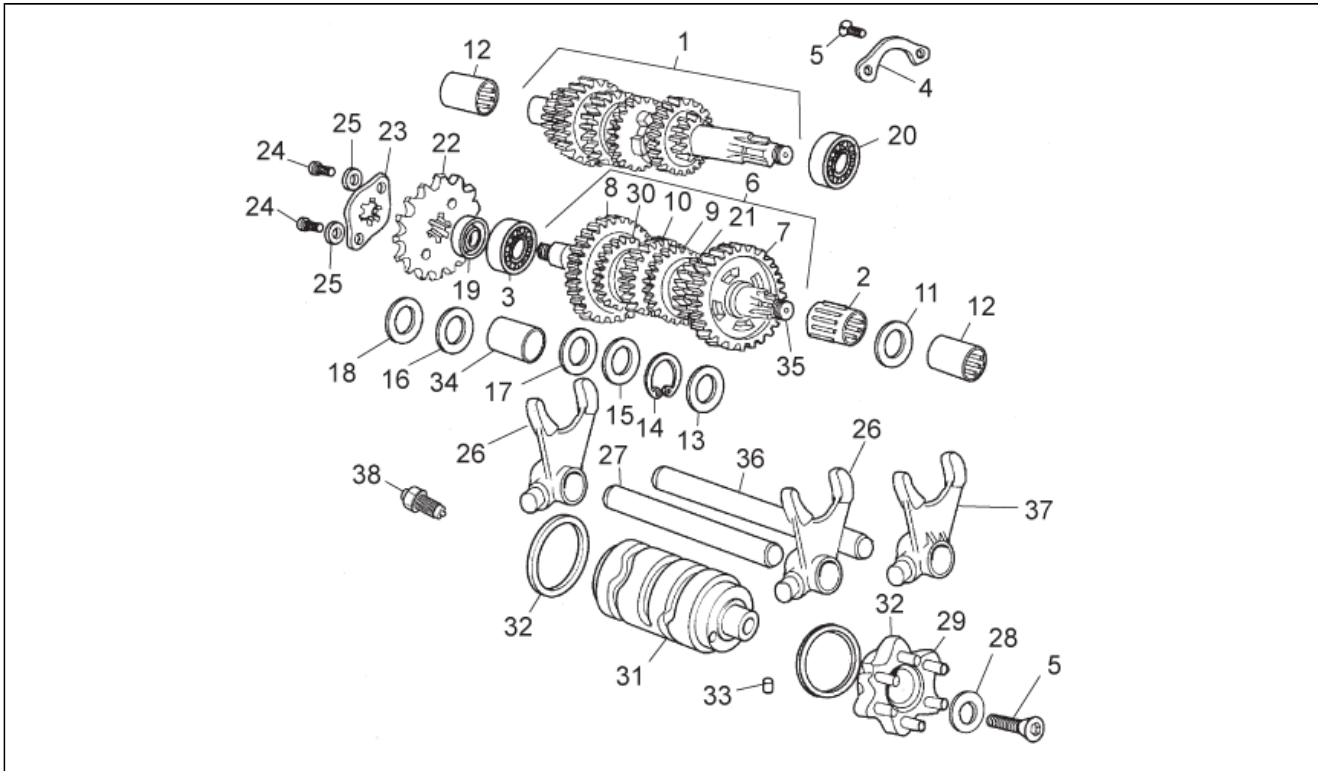
Pos.	Code	Description	Q.ty	Variants
1	8470395	Engine Gear cpl.	1	
2	847217	Nut 10M100	1	
3	847045	Clutch pressure plate	1	
4	847218	Washer	1	
5	847220	Plate	1	
6	847221	Nut	1	
7	847043	Driven clutch disc	3	
8	847044	Driving clutch disc	4	
9	623920	Screw torx	1	
10	82835R	Bearing	1	
11	847040	Spacer	1	
12	847042	Washer	1	
13	847046	Clutch cover	1	
14	847047	Spring	1	
15	847224	Washer	1	
16	847048	Screw 5M80X35	1	
17	847225	Safety washer	1	
18	847083	Clutch lever	1	
19	847075	Oil seal	1	
20	CM151201	Clutch release shaft	1	
21	847223	Pin	1	
22	847090	Plate	1	
23	8470415	Clutch gearing	1	

<b>Assembly</b>	ENGINE
<b>Code</b>	29.22
<b>Description</b>	Selector
<b>Revision</b>	1



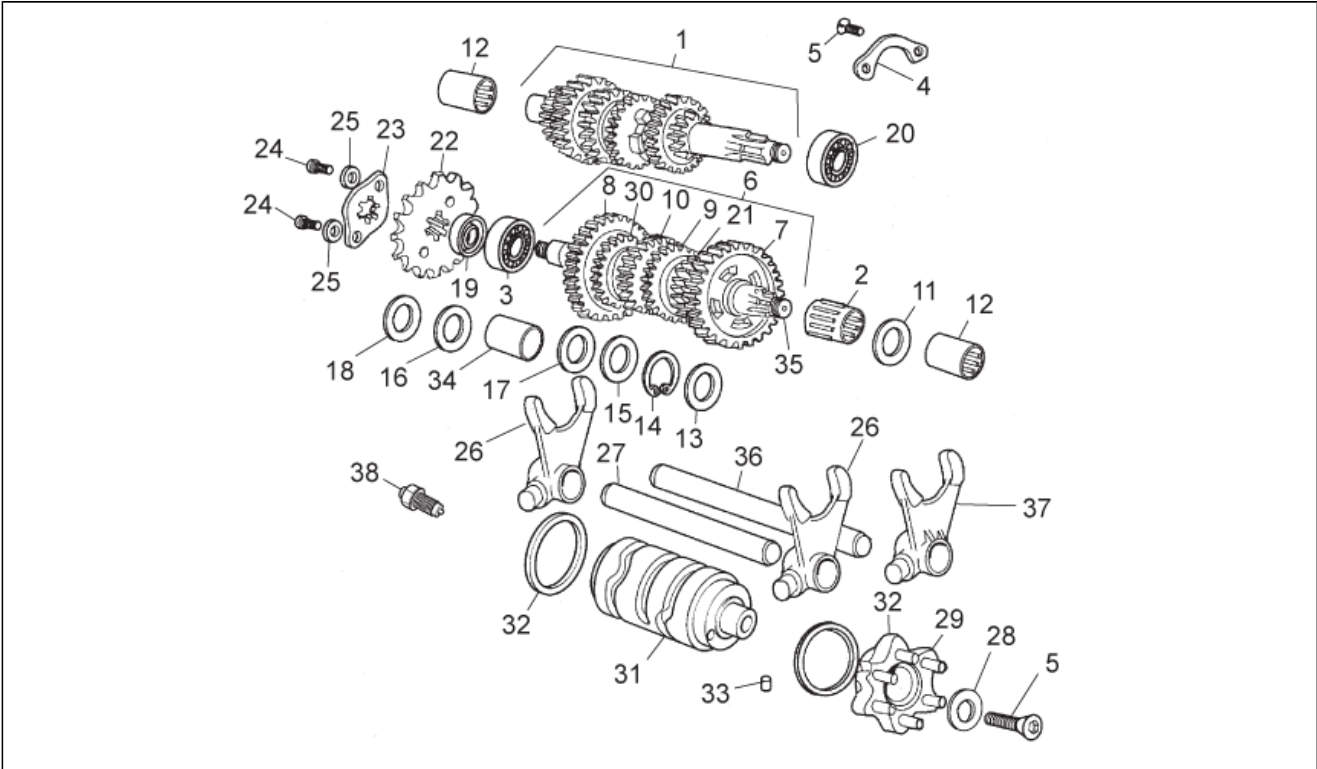
Pos.	Code	Description	Q.ty	Variants
1	847236	Selector shaft	1	
2	00H02706421	Gear lever	1	
3	847073	Bolt	1	
4	847069	Spring	1	
5	847070	Screw	1	
6	847068	Lever	1	
7	847075	Oil seal	1	
8	847228	Washer	1	
9	00002062011	Screw M6x20	1	
10	00H02701271	Protection	1	

<b>Assembly</b>	ENGINE
<b>Code</b>	29.23
<b>Description</b>	Gear box
<b>Revision</b>	1



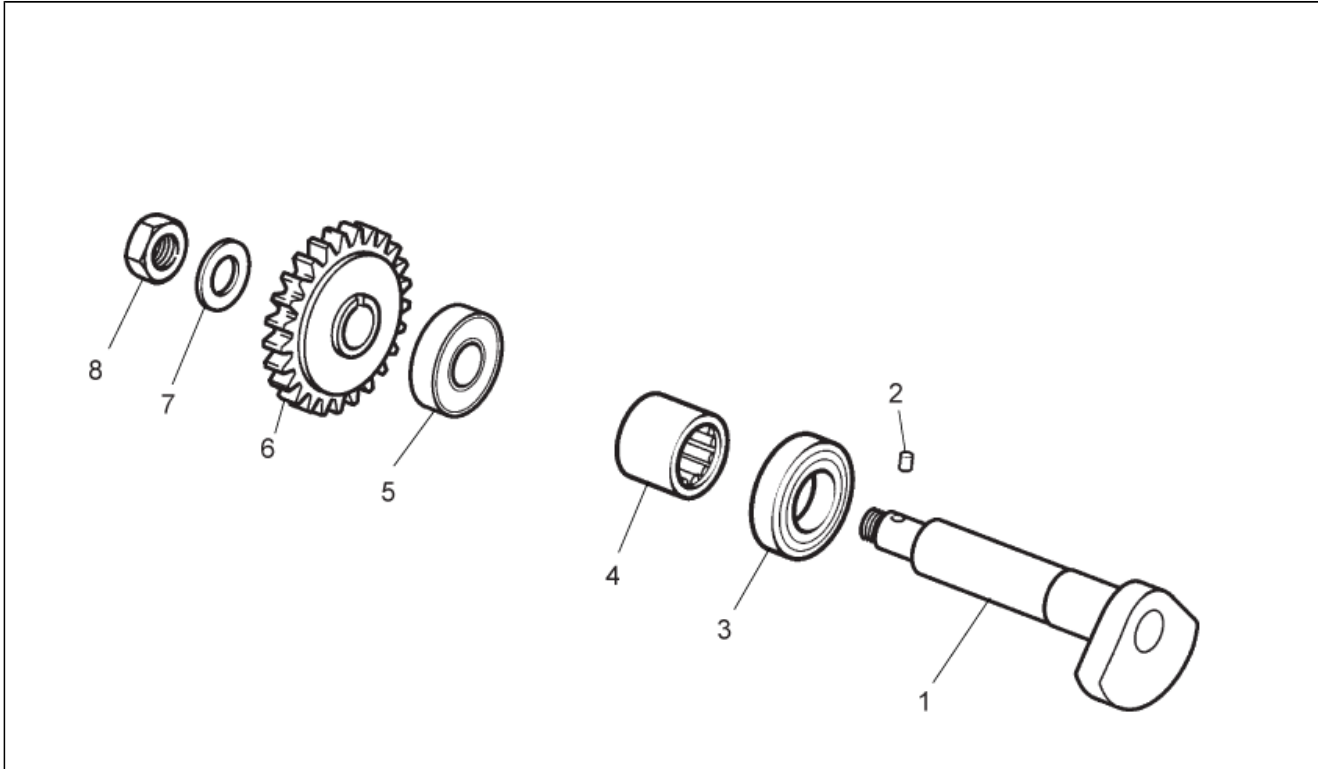
Pos.	Code	Description	Q.ty	Variants
1	847027	Primary gear shaft assy. 6 v.ta'	1	
2	847544	Needle bearing	1	
3	847086	Bearing	1	
4	847021	Plate	1	
5	847210	Screw	2	
6	847028	Secondary shaft cpl. 6 v.ta'	1	
7	847153	Gear 1A Z=34	1	
8	847157	Gear 2A Z=30	1	
9	847155	Gear 3A Z=27	1	
10	847156	Gear 4A Z=24	1	
11	847549	Washer	1	
12	847211	Needle bearing	1	
13	847550	Washer	1	
14	847542	Safety washer	1	
15	847548	Washer	1	
16	847541	Washer	1	
17	847546	Washer	1	
18	847545	Washer	1	
19	847019	Oil seal	1	
20	847209	Bearing	1	
21	847154	Gear 5A Z=23	1	
22	00H02805371	Pinion	1	Technical Specifications:Versione Svizzera E3[kit]
22	00H02813371	Pinion	1	Technical Specifications:Versione standard[std]
23	00H02800421	Plate	1	Technical Specifications:Versione standard[std]
23	00H02810421	Plate	1	Technical Specifications:Versione Svizzera E3[kit]
24	00000004510	Screw	2	Technical Specifications:Versione Svizzera E3[kit]
24	00002041050	Screw 4M70X10	2	Technical Specifications:Versione standard[std]
25	00000031050	Washer D5	2	Technical Specifications:Versione Svizzera E3[kit]

<b>Assembly</b>	ENGINE
<b>Code</b>	29.23
<b>Description</b>	Gear box
<b>Revision</b>	1



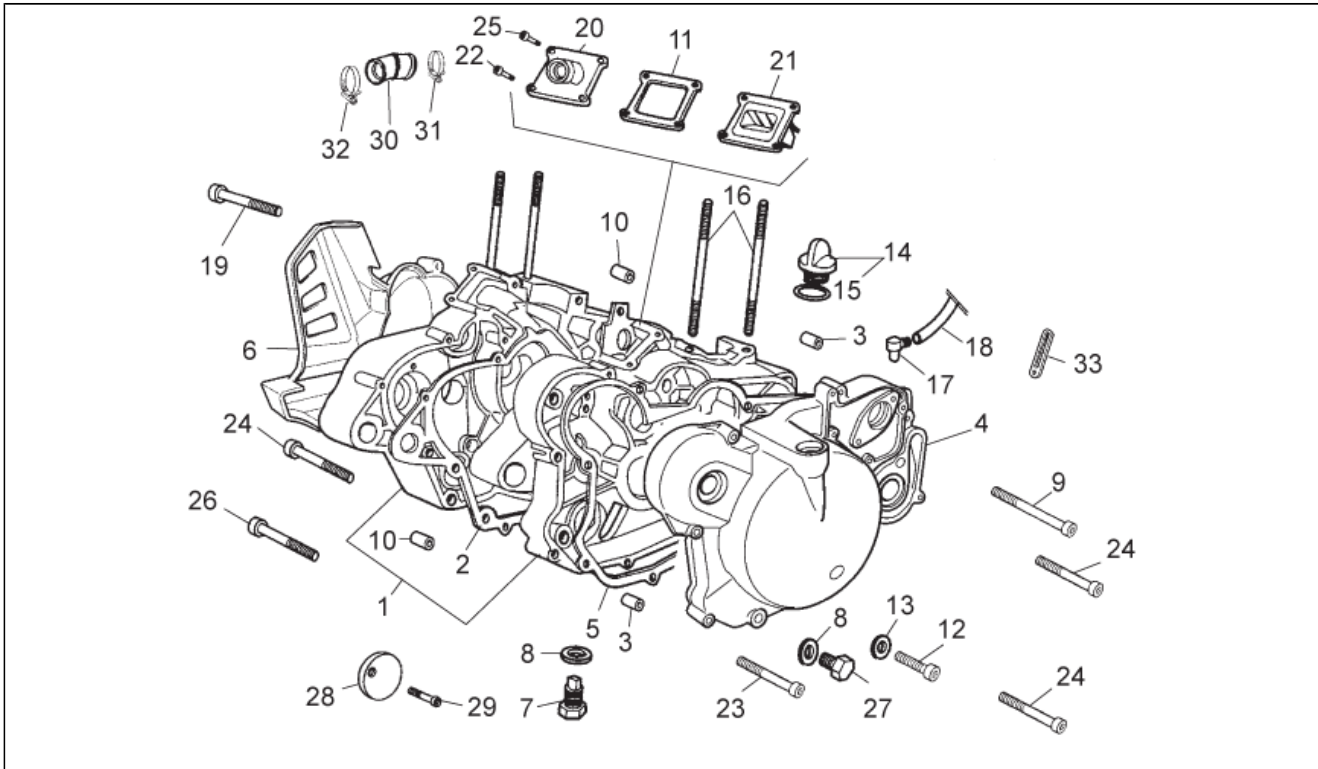
Pos.	Code	Description	Q.ty	Variants
25	00000033040	Washer D4	2	<b>Technical Specifications:</b> Versione standard[std]
26	847032	Fork	2	
27	847030	Fork guide pin w/shank	2	
28	847214	Washer	1	
29	847038	Shift cam plate	1	
30	847158	Gear 6A Z=22	1	
31	847034	Shift cam	1	
32	847036	Washer	1	
33	847213	Piston pin 4X6	1	
34	847547	Bush	1	
35	847159	Secondary gear shaft	1	
36	847029	Fork guide pin w/shank	1	
37	847031	Fork	1	
38	847018	Switch	1	

<b>Assembly</b>	ENGINE
<b>Code</b>	29.24
<b>Description</b>	Counterweight
<b>Revision</b>	1



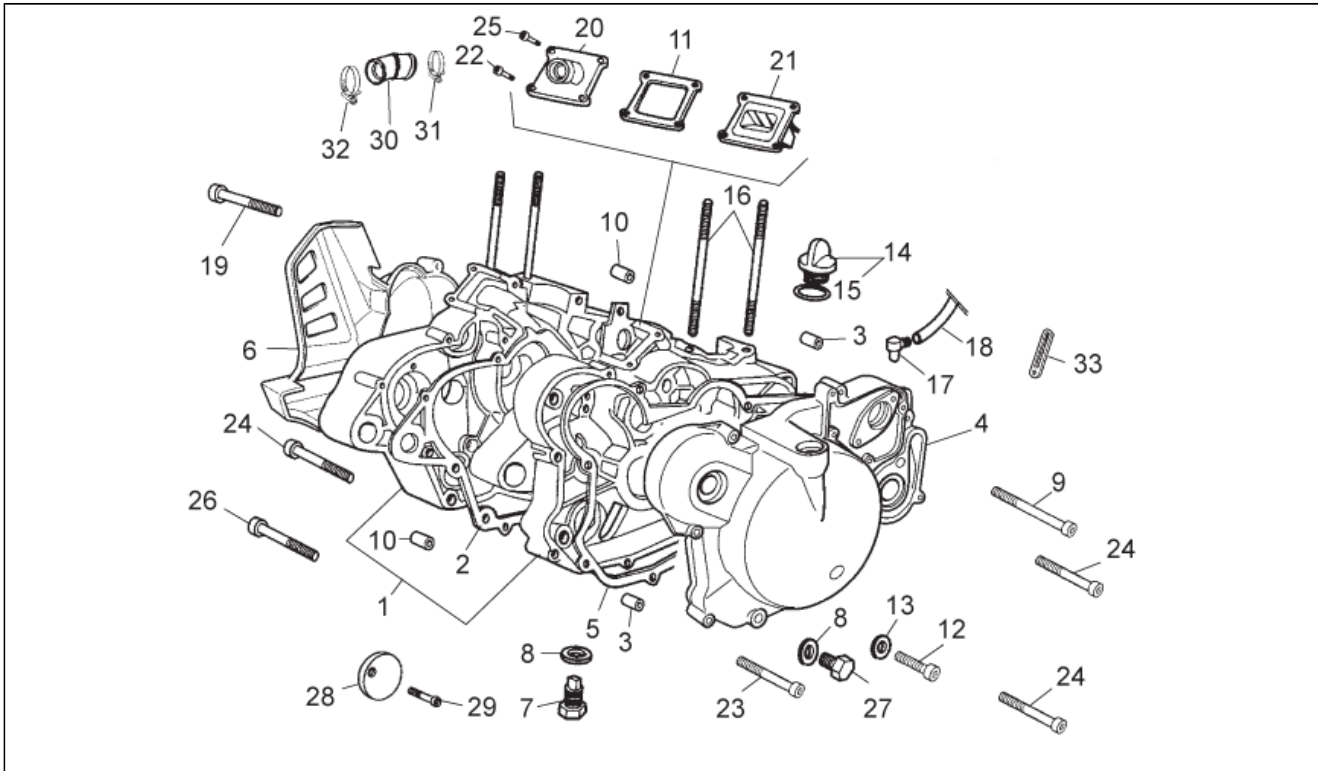
Pos.	Code	Description	Q.ty	Variants
1	847050	Counterweight	1	
2	847213	Piston pin 4X6	1	
3	847017	Gasket ring	1	
4	847013	Bearing	1	
5	847016	Bearing	1	
6	847049	Gear	1	
7	847276	Washer	1	
8	847275	Nut	1	

<b>Assembly</b>	ENGINE
<b>Code</b>	29.25
<b>Description</b>	Carters
<b>Revision</b>	1



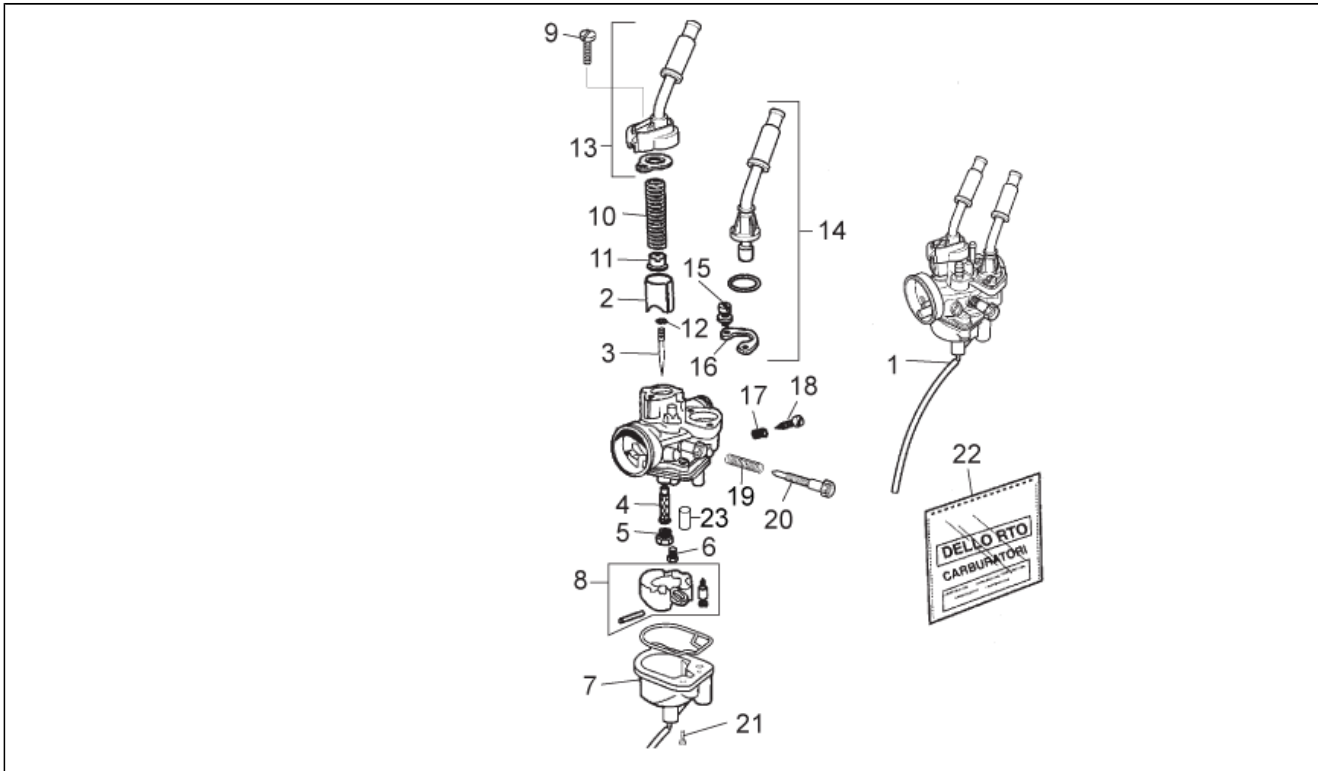
Pos.	Code	Description	Q.ty	Variants
1	CM1503035	Crankcase assy	1	
2	848501	Gasket	1	
3	847241	Pin	1	
4	CM150704	Cover	1	
5	847084	Gasket	1	
6	861004	Sprocket cover	1	
7	847237	Screw	1	
8	847238	Washer	2	
9	CM149801	Screw 6M100X55	2	
10	847023	Ring nut	1	
11	847091	Gasket	1	
12	319446	Hex socket screw	1	
13	847239	Washer	1	
14	847087	Screw	1	
15	847180	O-ring	1	
16	847015	Stud bolt	4	
17	847024	Union	1	
18	00H03711461	Pipe	1	
19	00G03900821	Screw 6X30	4	
20	847093	Intake manifold	1	
21	847092	Reed valve assy	1	
22	CM149804	Screw 6X25	2	
23	CM149806	Screw	7	
24	CM149808	Screw	4	
25	828152	Screw	2	
26	CM149809	Screw	4	
27	847174	Screw	1	
28	848019	Plate	1	

<b>Assembly</b>	ENGINE
<b>Code</b>	29.25
<b>Description</b>	Carters
<b>Revision</b>	1



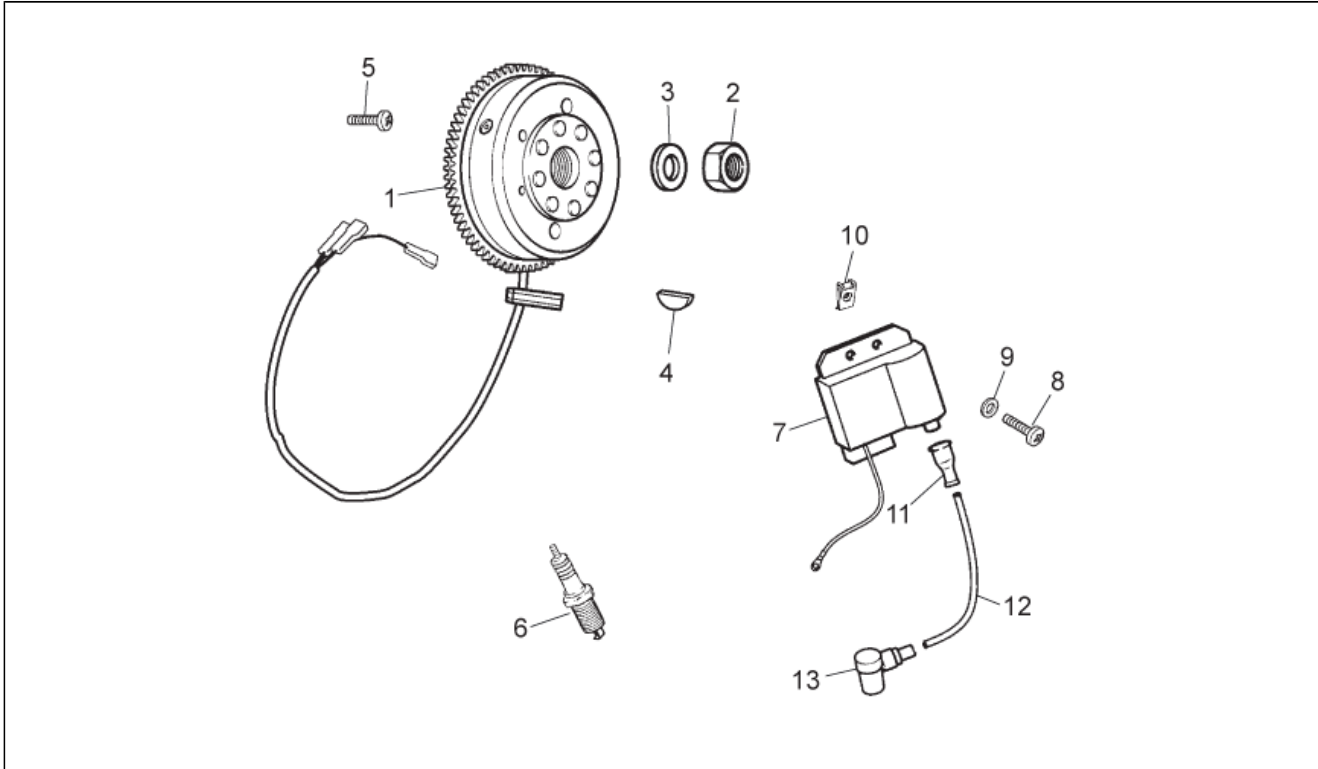
Pos.	Code	Description	Q.ty	Variants
29	CM149802	Screw	1	
30	847094	Hose	1	
31	847096	Hose clamp	1	
32	00H02501491	Hose clamp	1	
33	00G03702181	Plate	1	

<b>Assembly</b>	ENGINE
<b>Code</b>	29.26
<b>Description</b>	Carburettor
<b>Revision</b>	1



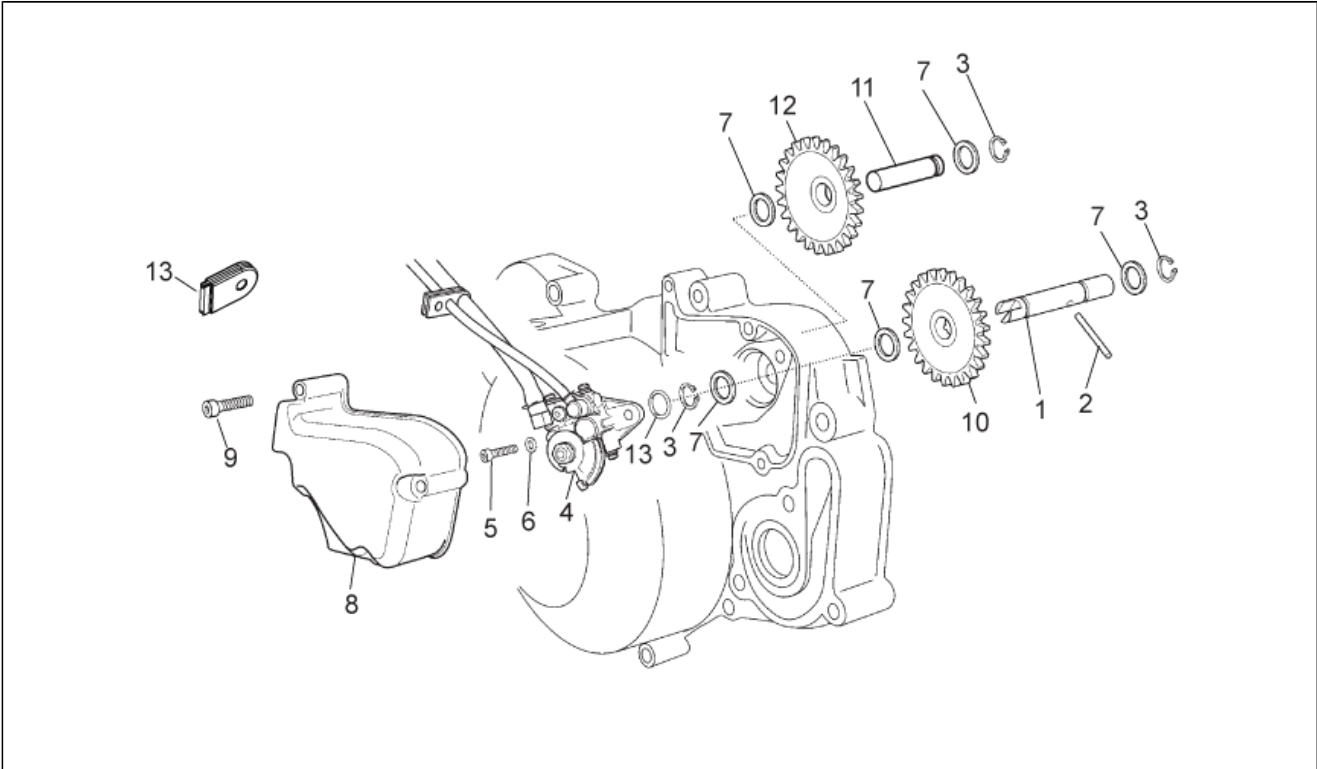
Pos.	Code	Description	Q.ty	Variants
1	CM152704	Carburettor	1	Country:D, F, E, I[EU]
1	CM152705	Carburettor	1	Country:Japan[JP]
2	0000000	Tyre 110/90"	1	
3	CM107506	Conical pin	1	Technical Specifications:Versione Svizzera E3[kit]
3	CM107514	Conical pin	1	Technical Specifications:Versione standard[std]
4	00H03206421	Needle valve	1	
5	AP8206901	Main jet 68	1	Country: D, F, E, I[EU] Technical Specifications:Versione standard[std]
5	CM101729	Main jet 78	1	Country:Japan[JP]
5	CM101747	Main jet	1	Technical Specifications:Versione Svizzera E3[kit]
6	AP8206922	Idle jet 30	1	
7	00H03206201	Fuel chamber	1	
8	00H03204281	Float	1	
9	00G03200061	Screw	1	
10	00G03201071	Valve gas return spring	1	
11	00G03200511	Conical pin clip	1	
12	00G03201371	Conical pin clip	1	
13	00H03204231	Mixture chamber cover kit	1	
14	CM146203	Wire starter kit	1	
15	00G03200541	Screw	1	
16	00G03200551	Plate	1	
17	00G03200721	Spring	1	
18	CM107701	Air adj.screw cpl.	1	
19	00G03200101	Spring	1	
20	00G04102131	Gas valve adj.screw	1	
21	00G03201091	Screw	4	
22	00H04103771	Gasket envelope	1	
23	CM106214	Diffuser	1	Technical Specifications:Versione Svizzera E3[kit]

<b>Assembly</b>	ENGINE
<b>Code</b>	29.27
<b>Description</b>	Ignition unit
<b>Revision</b>	1



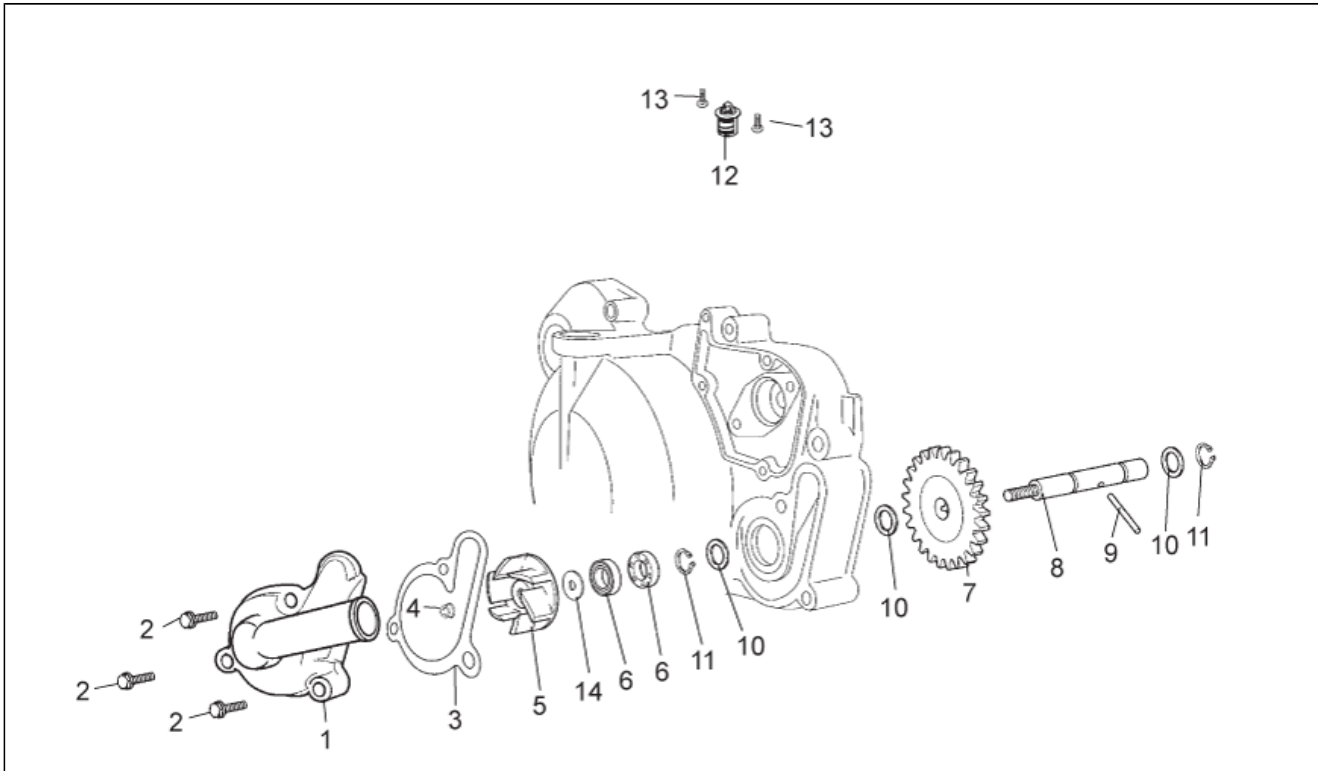
Pos.	Code	Description	Q.ty	Variants
1	847065	Cdi magneto assy	1	
2	847235	Nut	1	
3	847234	Washer	1	
4	847215	Transmission key	1	
5	847233	Screw	1	
6	847085	Spark plug	1	
7	00H03330171	Coil	1	
8	00012162000	Screw 6M100X20	2	
9	00000031060	Washer	2	
10	00D01501371	Nut D6	2	
11	00F03300731	Cap	1	
12	00F03310741	HT wire	1	
13	00G03301271	Sparkplug cap	1	

<b>Assembly</b>	ENGINE
<b>Code</b>	29.28
<b>Description</b>	Oil pump
<b>Revision</b>	1



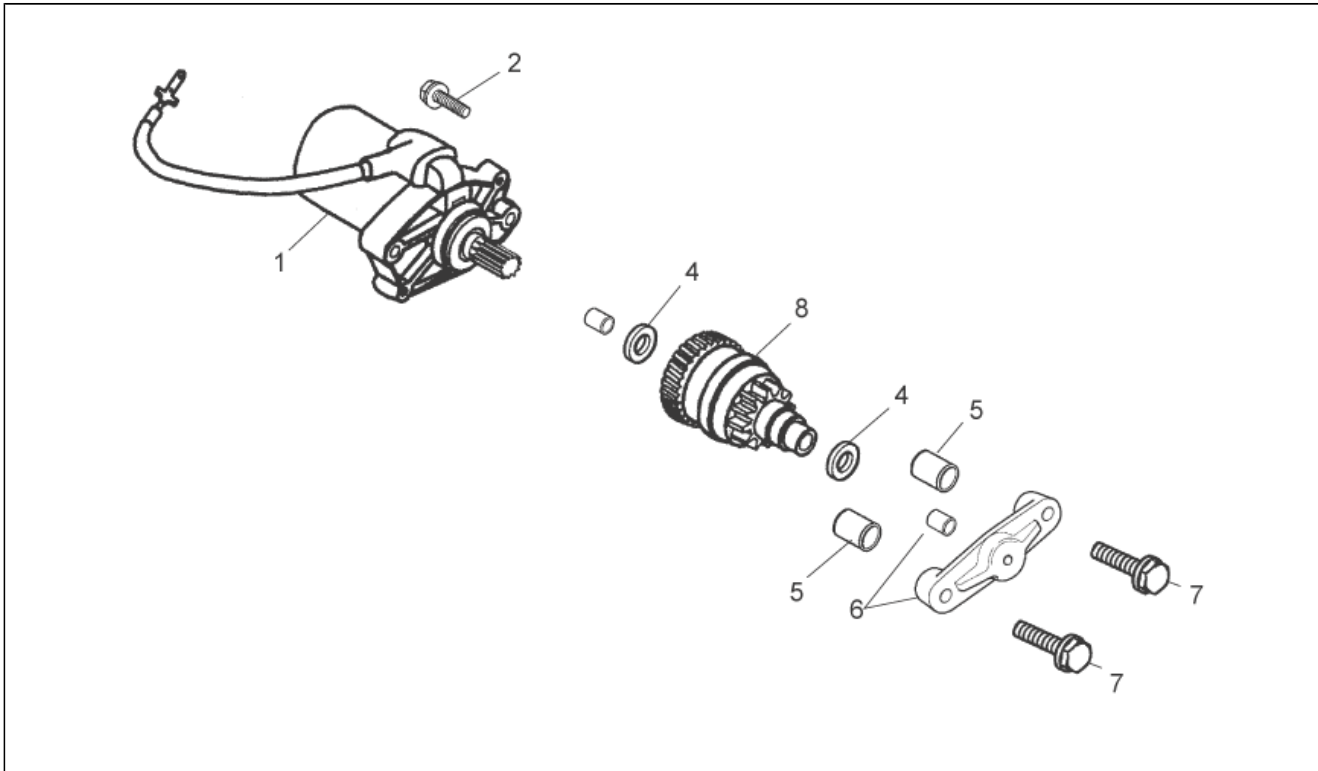
Pos.	Code	Description	Q.ty	Variants
1	847052	Oil pump shaft assy.	1	
2	847184	Pin	1	
3	847182	Safety washer D8	1	
4	847055	Oil pump	1	
5	847227	Screw	1	
6	847226	Washer	1	
7	847183	Washer	5	
8	00H03706011	Cover	1	
9	00004154000	Screw	2	
10	847051	Gear Z=25	1	
11	847076	Shaft pin	1	
12	847053	Pinion Z13/24	1	
13	311163	Gasket	1	

<b>Assembly</b>	ENGINE
<b>Code</b>	29.29
<b>Description</b>	Water pump
<b>Revision</b>	1



Pos.	Code	Description	Q.ty	Variants
1	CM150802	Water pump cover	1	
2	CM149805	Screw	3	
3	847082	Cover gasket	1	
4	847067	Nut	1	
5	847079	Impeller	1	
6	847077	Gasket ring	2	
7	847080	Pinion Z=32	1	
8	847078	Water pump shaft assy.	1	
9	847184	Pin	1	
10	847183	Washer	2	
11	847182	Safety washer D8	2	
12	483395	Thermostat	1	
13	847176	Screw	2	
14	847181	Washer	1	

<b>Assembly</b>	ENGINE
<b>Code</b>	29.30
<b>Description</b>	Starter motor
<b>Revision</b>	1



Pos.	Code	Description	Q.ty	Variants
1	96921R	Starter motor	1	
2	CM149803	Screw	4	
4	847261	Washer	2	
5	847241	Pin	2	
6	8470665	Lever	1	
7	CM149805	Screw	2	
8	96922R	Pinion	1	