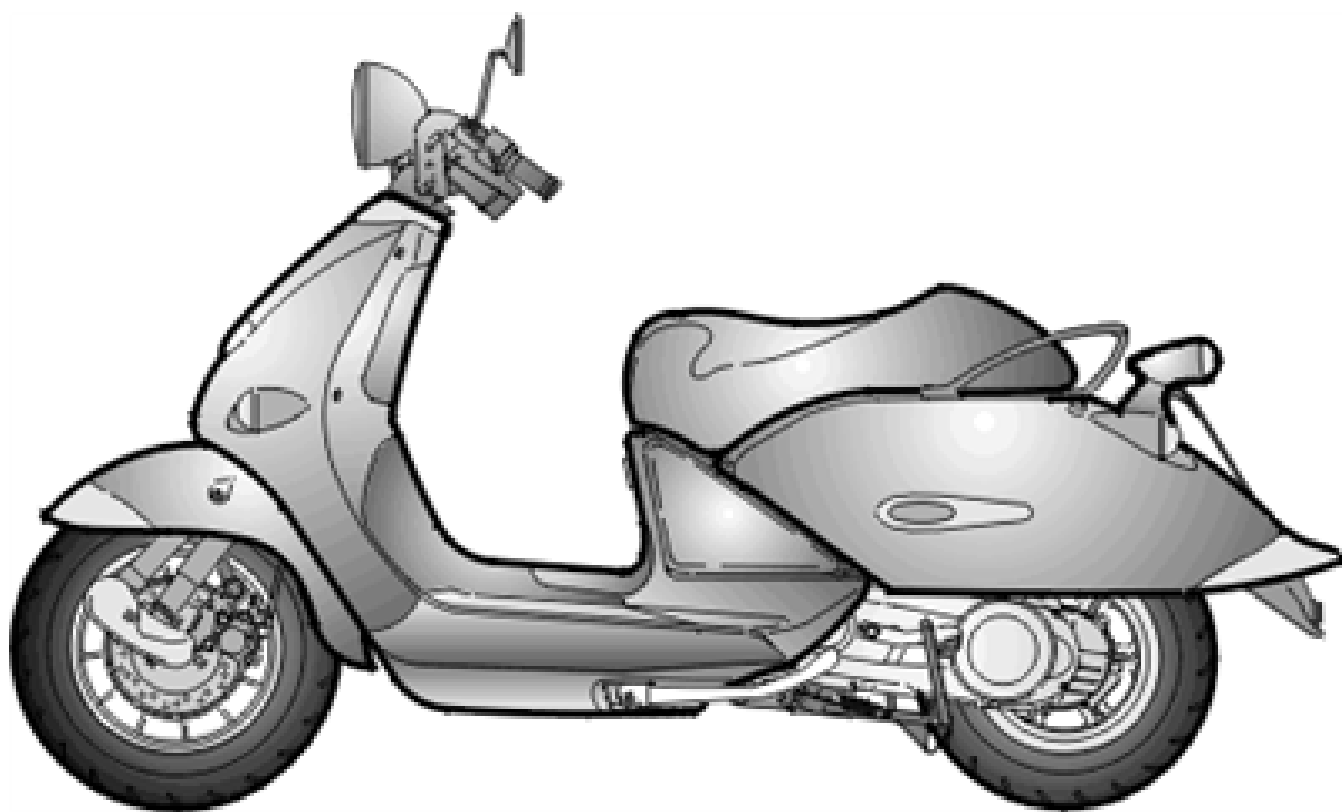




PIAGGIO & C.s.p.a.

aprilia

SPARE PARTS CATALOGUE



Mojito Custom 50 2T (eng.Piaggio) 04-08

Chassis prefix: ZD4TF

Engine prefix:

Index

Products.....	4
Part reference.....	6
FRAME.....	11
Drawing 28.01 - Frame.....	11
Drawing 28.02 - Central stand.....	12
Drawing 28.03 - Front shock absorber.....	13
Drawing 28.04 - Front body I.....	14
Drawing 28.05 - Front body II.....	15
Drawing 28.06 - Front body III.....	17
Drawing 28.07 - Central body I.....	19
Drawing 28.08 - Central body II.....	20
Drawing 28.09 - Central body III.....	21
Drawing 28.10 - Saddle - Handle.....	22
Drawing 28.11 - Helmet compartment.....	23
Drawing 28.12 - Rear body I.....	24
Drawing 28.13 - Rear body II.....	25
Drawing 28.14 - Rear body III.....	28
Drawing 28.15 - Handlebar.....	29
Drawing 28.16 - Dashboard.....	30
Drawing 28.17 - LH Controls.....	31
Drawing 28.18 - RH controls.....	32
Drawing 28.19 - Fuel tank.....	33
Drawing 28.20 - Oil tank.....	34
Drawing 28.21 - Air box.....	35
Drawing 28.22 - Engine - Rear shock absorber.....	36
Drawing 28.23 - Exhaust pipe.....	37
Drawing 28.24 - Front wheel.....	39
Drawing 28.25 - Rear wheel.....	41
Drawing 28.26 - Lights.....	43
Drawing 28.27 - Electrical system.....	45
Drawing 28.28 - Decal and Lock hardware kit.....	47
Drawing 28.29 - Plate set and handbook.....	49
ENGINE.....	50
Drawing 29.30 - Crank-case.....	50
Drawing 29.31 - Drive shaft.....	51
Drawing 29.32 - Cylinder with piston.....	52
Drawing 29.33 - Carburettor cpl.....	53
Drawing 29.34 - Cylinder head/Carburettor.....	54
Drawing 29.35 - Transmission cover.....	56
Drawing 29.36 - Variator.....	57
Drawing 29.37 - Clutch.....	58
Drawing 29.38 - Transmission final drive.....	59
Drawing 29.39 - Flywheel.....	60

Drawing 29.40 - Starter motor.....	61
Drawing 29.41 - Oil pump.....	62
Drawing 29.42 - Secondary air.....	63
ACCESSORIES.....	64
Drawing 30.43 - Acc. - Windshields.....	64
Drawing 30.44 - Acc. - Top/cases-Various.....	65
Drawing 30.45 - Acc. - Mechanics anti-theft.....	66

Products

Code	Validity
AP6241000AA402	
AP6241000AA503	
AP6241000AB402	
AP6241000AB503	
AP6241000AU402	
AP6241000AU503	
AP6241000BE401	
AP6241000BE402	
AP6241000EA402	
AP6241000EA503	
AP6241000EB402	
AP6241000EB503	
AP6241000EC402	
AP6241000EC503	
AP6241000ES401	
AP6241000ES402	
AP6241000ES503	
AP6241000EU402	
AP6241000EU503	
AP6241000GB401	
AP6241000GB402	
AP6241000GB503	
AP6241000IT401	
AP6241000IT402	
AP6241000IT503	
AP6241000NL401	
AP6241000NL402	
AP6241000NL503	
AP6241000SA402	
AP6241000SA503	
AP6241000SB503	
AP6241000SP402	
AP6241000SP503	
AP6241100EA804	
AP6241100EA806	
AP6241100EA807	
AP6241100EB804	
AP6241100EB806	
AP6241100EB807	
AP6241100EC804	
AP6241100EC806	
AP6241100EC807	

Code	Validity
AP6241100SA804	
AP6241100SA806	
AP6241100SA807	
AP6241100SB804	
AP6241100SB807	
AP641000AB503	

Code	Drawing Nr.	Pos.	Code	Drawing Nr.	Pos.	Code	Drawing Nr.	Pos.
000267	29.39	10	287021	29.41	1	483859	29.35	8
000397	29.38	15	287073	29.41	12	484704	29.34	13
003056	28.21	10	287223	29.30	4	486942	29.42	8
006416	29.35	17	288245	29.34	6	486943	29.42	7
006624	29.37	3	288531	29.34	8	4872095	29.38	9
006647	29.30	15	288639	29.38	10	4874805	29.38	1
006975	29.39	13	288862	29.34	22	4874805	29.38	1
006975	29.41	13	288863	29.34	30	4874845	29.38	2
008375	29.39	3	288865	29.34	20	487592	28.21	3
012533	28.21	11	288872	29.34	25	487718	28.21	4
012789	28.25	15	288873	29.34	27	487719	28.21	5
015585	29.39	7	288881	29.34	31	4878020001	29.32	6
015585	29.39	8	289005	29.39	2	4878020002	29.32	6
015585	29.41	7	289191	29.41	3	4878020003	29.32	6
015597	29.39	18	289495	29.35	11	4878020004	29.32	6
015856	29.39	16	289519	29.36	13	487935	29.37	12
015856	29.39	17	289519	29.37	2	488129	29.33	3
015856	29.41	6	289575	29.34	23	498337	29.30	11
016404	29.40	7	289840	29.37	9	498409	29.33	4
018639	29.40	1	289903	29.34	28	500501	29.31	3
018644	29.40	4	289931	29.36	3	500502	29.31	3
020006	29.30	3	289933	29.37	15	500503	29.31	3
020008	29.30	6	289950	29.37	8	500504	29.31	3
020106	29.41	2	289952	29.37	4	563728	28.25	7
078307	29.39	4	289955	29.37	14	564497	29.35	18
085285	29.34	32	290860	28.27	13	574408	28.19	28
113533	29.30	5	414834	29.38	6	5765344	28.14	7
113903	29.34	1	414835	29.30	9	577557	28.19	24
146197	29.41	9	414837	29.35	9	58095R	28.27	26
152608	29.34	33	414838	29.35	5	58096R	28.27	2
154873	29.30	12	431125	29.31	1	58115R	28.27	3
159347	28.25	16	4316255	29.31	4	58136R	29.39	1
194423	28.25	8	431654	29.34	9	584525	29.39	12
231215	28.26	31	431860	29.35	3	584526	29.39	9
234390	28.27	6	431860	29.40	6	598839	28.01	12
239382	29.30	2	432071	29.34	19	598839	28.14	12
239388	29.30	13	432456	29.34	14	598839	28.19	6
239388	29.35	7	433987	29.35	16	598839	28.21	7
239388	29.38	3	434735	29.30	16	598839	28.28	3
239397	29.32	5	435363	29.38	4	639220	29.40	5
239404	29.32	2	436864	29.36	10	647384	28.25	20
239455	29.32	3	438031	29.34	2	82521R	29.35	6
252945	28.27	14	438041	29.34	2	82530R	29.40	2
254485	28.01	10	463872	29.35	4	82531R	29.40	3
254485	28.12	12	478028	29.37	11	825416	29.32	4
254485	28.14	8	478197	29.38	11	8256935	29.38	2
254485	28.19	5	4784925	29.38	9	82632R	29.41	8
254485	28.21	6	478498	29.30	14	82652R	29.41	8
254485	28.27	4	478533	29.42	5	82655R	29.37	16
258146	28.21	9	479495	29.36	1	827085	29.38	13
265300	29.36	14	4795526	29.37	5	827208	29.42	2
266625	29.30	8	479561	29.36	9	827209	29.42	6
266724	28.25	21	4795715	29.38	7	827425	29.39	6
266773	29.30	10	4795935	29.38	7	82758R	29.42	4
267823	29.30	7	479866	29.36	12	82775R	29.34	3
269755	29.38	14	480066	29.38	5	827847	29.39	15
273419	28.25	22	480227	29.36	4	827893	29.37	7
274245	28.25	9	480230	29.36	6	828074	29.34	21
278940	28.02	6	480953	29.38	8	8284535	29.35	1
286158	29.36	2	482314	29.31	5	828765	29.39	14
286162	29.41	4	482315	29.31	2	828862	28.25	5
286163	29.41	5	482432	28.22	13	828863	28.25	4
286209	29.35	2	482766	29.37	6	82907R	28.25	2
286214	29.35	14	482916	29.34	26	829715	28.21	2
286217	29.35	15	482942	29.34	10	830212	29.35	13
2865344	29.34	5	483443	29.37	10	830475	29.32	7
286810	29.32	1	483537	29.35	12	830487	29.34	24

Code	Drawing Nr.	Pos.	Code	Drawing Nr.	Pos.	Code	Drawing Nr.	Pos.
830821	28.22	11	AP8101595	28.19	20	AP8124758	28.26	26
830939	29.34	4	AP8101743	28.20	5	AP8124886	28.27	23
831116	29.32	7	AP8101770	28.20	6	AP8124886	28.28	1
831458	29.35	10	AP8101944	28.20	3	AP8124923	28.26	25
8318594	29.42	9	AP8102224	28.20	4	AP8124925	28.26	21
832130	29.38	12	AP8102375	28.01	11	AP8125687	28.25	25
832175	28.21	1	AP8102375	28.03	24	AP8125743	28.24	5
832186	29.33	2	AP8102375	28.04	8	AP8126747	28.14	22
833428	28.25	13	AP8102375	28.19	18	AP8127232	28.26	20
833740	29.42	10	AP8102375	28.20	11	AP8127305	28.17	9
833817	29.39	5	AP8102375	28.27	15	AP8129298	28.10	1
840454	29.33	1	AP8102381	28.04	9	AP8129517	28.10	1
841782	28.23	20	AP8102381	28.11	17	AP8134607	28.14	25
842202	29.34	7	AP8102381	28.13	10	AP8139999	28.13	1
845611	29.36	11	AP8102401	28.19	14	AP8144064	28.14	20
845692	29.39	11	AP8102523	28.07	6	AP8144064	28.23	11
846596	29.39	14	AP8102523	28.28	6	AP8144296	28.15	26
852232	28.11	11	AP8102671	28.06	5	AP8144303	28.19	21
852881	28.29	1	AP8104050	28.28	7	AP8148014	28.14	6
854055	28.29	1	AP8104071	28.19	23	AP8148587	28.06	11
854056	28.29	1	AP8104197	30.44	3	AP8149136	28.10	5
855799	28.11	21	AP8104451	28.25	11	AP8149166	28.13	9
855799	28.14	18	AP8104612	28.07	5	AP8149411	28.09	1
855799	28.19	26	AP8104612	28.28	5	AP8149411	28.09	1
855799	28.27	20	AP8104613	28.27	24	AP8149411	28.09	1
856196	28.23	1	AP8104613	28.28	4	AP8149412	28.09	2
856512	28.28	14	AP8112599	28.15	24	AP8149412	28.09	2
860190	28.13	14	AP8112811	28.27	11	AP8149412	28.09	2
860191	28.13	15	AP8113003	28.18	11	AP8149413	28.14	5
86022200AF	28.05	2	AP8113003	28.24	20	AP8149426	28.09	1
86022200XB3	28.05	2	AP8113004	28.23	3	AP8149427	28.09	2
86022200XN5	28.05	2	AP8113004	28.24	22	AP8150011	28.14	2
86022300AF	28.07	1	AP8113063	28.18	5	AP8150012	28.06	10
86022300XB3	28.07	1	AP8113321	28.24	17	AP8150013	28.11	20
86022300XN5	28.07	1	AP8113644	28.24	16	AP8150013	28.19	27
860264	28.13	18	AP8113644	28.24	16	AP8150013	28.20	10
860265	28.13	19	AP8114472	28.16	10	AP8150013	28.26	1
860567	28.23	15	AP8117004	28.01	20	AP8150014	28.10	10
860849	28.28	14	AP8118376	28.17	8	AP8150015	28.19	12
860851	28.28	14	AP8118425	28.17	1	AP8150015	28.19	7
860853	28.28	14	AP8118425	28.18	1	AP8150015	28.25	17
860855	28.28	14	AP8118490	28.17	10	AP8150015	28.27	25
860857	28.28	14	AP8119497	28.23	2	AP8150017	28.03	12
860859	28.13	16	AP8119588	28.23	9	AP8150017	28.11	16
860860	28.13	17	AP8120030	28.24	24	AP8150017	28.23	5
860861	28.13	16	AP8120531	28.26	12	AP8150020	28.15	17
860862	28.13	17	AP8120657	28.27	29	AP8150020	28.15	19
860863	28.13	18	AP8120754	28.27	12	AP8150020	28.22	4
860864	28.13	19	AP8120865	28.24	4	AP8150044	28.26	9
860865	28.13	16	AP8120952	28.19	22	AP8150086	28.22	5
860866	28.13	17	AP8120956	28.19	19	AP8150087	28.23	4
860867	28.13	18	AP8121020	28.25	18	AP8150101	28.03	3
860868	28.13	19	AP8121032	28.10	14	AP8150120	28.26	28
860869	28.13	18	AP8121035	28.14	10	AP8150158	28.04	6
860870	28.13	19	AP8121728	28.26	10	AP8150158	28.14	15
861612	29.34	2	AP8121736	28.14	19	AP8150159	28.13	11
873754	29.33	1	AP8121790	28.15	25	AP8150165	28.14	26
8738545	28.22	1	AP8121795	28.10	12	AP8150171	28.14	11
890224	28.23	14	AP8121795	28.10	3	AP8150201	28.15	16
890374	28.23	14	AP8121811	28.05	10	AP8150204	28.13	12
890429	28.23	22	AP8121811	28.14	24	AP8150204	28.14	3
890505	28.19	9	AP8121811	28.15	10	AP8150204	28.19	17
890507	28.11	19	AP8121889	28.24	25	AP8150227	28.22	3
890738	28.23	21	AP8121889	28.25	24	AP8150286	28.15	9
AP8101103	28.25	10	AP8123881	28.03	16	AP8150333	28.23	8
AP8101586	28.19	25	AP8124168	28.26	27	AP8150359	28.14	4
AP8101595	28.11	4	AP8124718	28.14	1	AP8150373	28.24	8

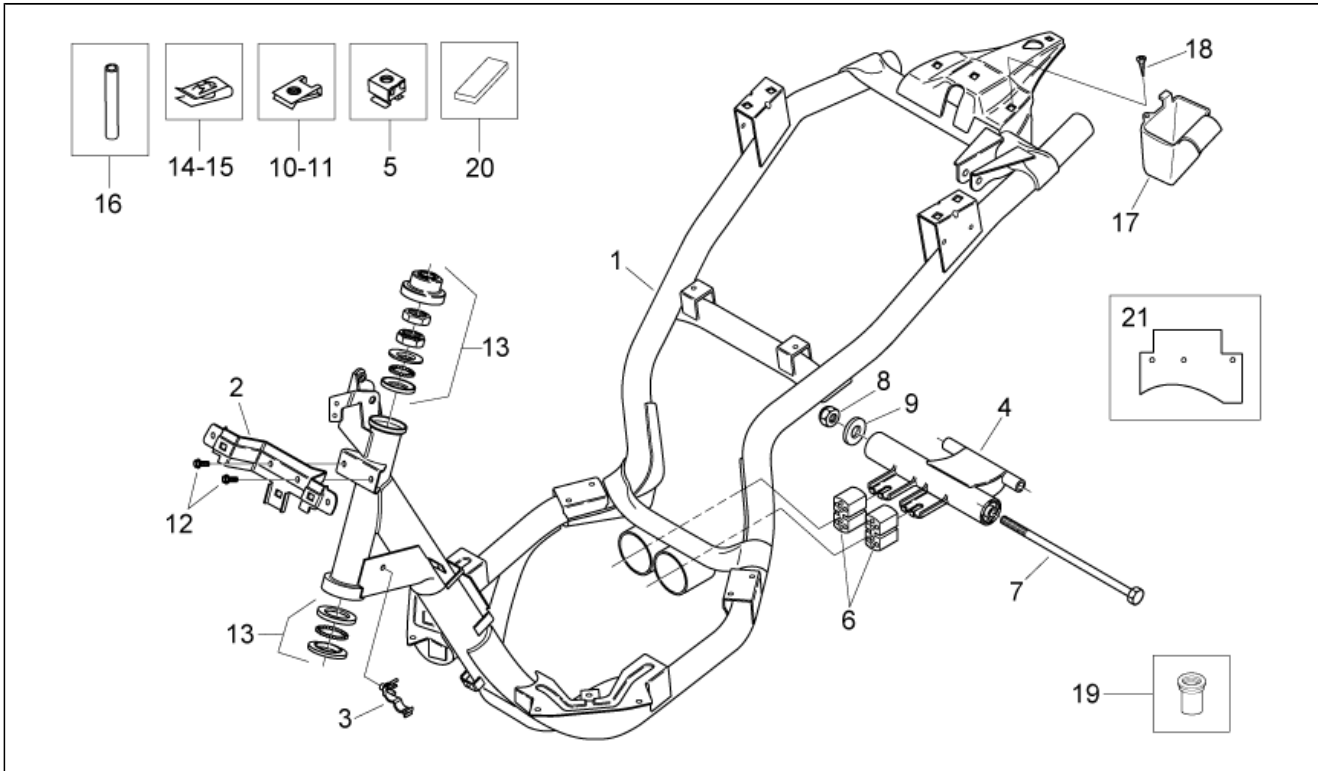
Code	Drawing Nr.	Pos.	Code	Drawing Nr.	Pos.	Code	Drawing Nr.	Pos.
AP8150376	28.02	3	AP8152306	28.23	12	AP8203976	28.15	13
AP8150376	28.23	6	AP8152341	28.06	9	AP8208601	28.24	1
AP8150382	28.14	21	AP8152345	28.08	4	AP8208929	28.25	1
AP8150382	28.23	19	AP8152345	28.09	7	AP8208929	28.25	1
AP8150388	28.23	17	AP8152345	28.12	6	AP8208929	28.25	1
AP8150412	28.22	7	AP8152345	28.13	3	AP8208929	28.25	1
AP8150413	28.01	18	AP8152351	28.04	7	AP8208929	28.25	1
AP8150413	28.05	5	AP8152351	28.05	8	AP8209147	28.24	2
AP8150413	28.06	4	AP8152351	28.08	5	AP8209148	28.25	3
AP8150413	28.07	4	AP8152351	28.09	6	AP8212219	28.27	30
AP8150413	28.13	2	AP8152351	28.12	10	AP8212382	28.27	7
AP8150413	28.26	11	AP8158408	28.13	4	AP8213137	28.25	19
AP8150413	28.26	17	AP8158417	28.12	2	AP8213224	28.24	15
AP8150415	28.12	7	AP8158470	28.05	1	AP8213227	28.24	18
AP8150420	28.05	11	AP8161001	28.10	13	AP8213231	28.24	6
AP8150421	28.13	13	AP8161002	28.10	15	AP8213425	28.18	7
AP8150421	28.15	11	AP8163376	28.03	23	AP8213426	28.24	21
AP8150426	28.07	7	AP8166478	28.28	15	AP8213441	28.24	14
AP8150431	28.03	10	AP8177041	28.28	14	AP8213457	28.24	19
AP8150432	28.03	4	AP8177042	28.28	14	AP8213472	28.12	11
AP8150436	28.01	8	AP8178134	28.05	3	AP8213551	28.24	14
AP8150444	28.05	9	AP8184530	28.04	1	AP8213579	28.24	19
AP8150515	28.22	12	AP8201169	29.42	1	AP8213591	28.24	18
AP8150538	28.23	18	AP8201457	28.01	19	AP8213592	28.24	15
AP8152018	28.24	10	AP8201534	28.12	5	AP8214234	28.25	14
AP8152043	28.04	5	AP8201602	28.03	11	AP8218479	28.18	8
AP8152043	28.14	14	AP8201643	28.10	11	AP8218481	28.18	6
AP8152043	28.24	26	AP8201643	28.11	6	AP8218482	28.18	10
AP8152073	28.23	16	AP8201679	28.24	12	AP8218484	28.15	4
AP8152136	28.10	4	AP8201679	28.25	6	AP8218485	28.15	5
AP8152140	28.27	22	AP8201748	28.11	14	AP8218486	28.15	6
AP8152140	28.28	2	AP8201748	28.28	11	AP8218489	28.15	2
AP8152176	28.01	9	AP8201749	28.11	15	AP8218490	28.15	1
AP8152176	28.22	9	AP8201749	28.28	12	AP8218491	28.15	3
AP8152194	28.11	12	AP8201757	28.19	15	AP8218492	28.17	4
AP8152194	28.28	9	AP8201763	28.01	14	AP8218494	28.18	2
AP8152246	28.05	6	AP8201763	28.09	5	AP8218495	28.17	5
AP8152246	28.10	9	AP8201763	28.12	9	AP8218496	28.17	7
AP8152246	28.11	5	AP8201763	28.19	3	AP8218497	28.17	6
AP8152246	28.19	4	AP8201764	28.01	15	AP8219321	28.23	13
AP8152268	28.14	16	AP8201772	28.01	16	AP8219613	28.23	1
AP8152273	28.20	9	AP8202141	28.24	13	AP8220104	28.21	13
AP8152273	28.26	8	AP8202166	28.15	21	AP8220135	28.17	3
AP8152277	28.27	16	AP8202167	28.11	10	AP8220177	28.03	1
AP8152279	28.19	11	AP8202167	28.28	13	AP8220177	28.16	9
AP8152279	28.27	18	AP8202169	28.11	1	AP8220263	28.27	21
AP8152279	29.35	19	AP8202169	28.28	8	AP8220269	28.01	3
AP8152282	28.25	23	AP8202170	28.15	20	AP8220349	28.10	7
AP8152284	28.21	8	AP8202416	28.29	1	AP8220357	28.23	7
AP8152287	28.02	2	AP8202429	28.29	1	AP8220399	28.01	6
AP8152287	28.24	23	AP8202449	28.05	4	AP8220407	28.07	2
AP8152290	28.15	14	AP8202449	28.09	4	AP8220421	28.20	8
AP8152294	28.02	4	AP8202449	28.11	18	AP8220503	28.20	7
AP8152298	28.04	4	AP8202449	28.12	8	AP8220546	28.27	9
AP8152298	28.05	7	AP8203519	28.03	13	AP8220547	28.10	2
AP8152298	28.06	13	AP8203520	28.03	7	AP8220552	28.18	9
AP8152299	28.14	23	AP8203521	28.03	8	AP8220553	28.26	22
AP8152299	28.16	11	AP8203522	28.03	6	AP8220555	28.16	4
AP8152299	28.27	17	AP8203523	28.03	15	AP8220568	28.19	13
AP8152300	28.02	5	AP8203524	28.03	14	AP8221120	28.25	12
AP8152300	28.15	15	AP8203536	28.03	9	AP8221213	28.01	5
AP8152301	28.15	18	AP8203538	28.03	5	AP8221213	28.15	12
AP8152301	28.22	10	AP8203542	28.03	2	AP8221218	28.14	9
AP8152301	28.22	6	AP8203923	28.01	13	AP8221281	28.01	7
AP8152302	28.06	6	AP8203970	28.03	21	AP8221282	28.10	8
AP8152306	28.06	14	AP8203971	28.03	20	AP8221293	28.11	9
AP8152306	28.14	17	AP8203972	28.03	19	AP8221294	28.11	7

Code	Drawing Nr.	Pos.	Code	Drawing Nr.	Pos.	Code	Drawing Nr.	Pos.
AP8221295	28.11	8	AP8248153	28.19	1	AP8268417	28.13	7
AP8221312	28.11	13	AP8248157	28.20	1	AP8268418	28.13	6
AP8221312	28.28	10	AP8248158	28.10	6	AP8268421	28.05	1
AP8221347	28.22	8	AP8248160	28.11	2	AP8268422	28.13	1
AP8223102	28.22	2	AP8248161	28.11	3	AP8268952	28.04	1
AP8224066	28.26	18	AP8248171	28.06	8	AP8268953	28.05	1
AP8224068	28.26	19	AP8248175	28.09	3	AP8268955	28.13	7
AP8224073	28.27	10	AP8248182	28.03	17	AP8268956	28.13	6
AP8224079	28.19	16	AP8248183	28.03	18	AP8268957	28.10	5
AP8224080	28.20	2	AP8248184	28.04	2	AP8268958	28.10	1
AP8224089	28.26	6	AP8248185	28.04	3	AP8268961	28.13	1
AP8224090	28.17	2	AP8248689	28.14	5	AP8268963	28.05	1
AP8224114	28.13	5	AP8248690	28.04	1	AP8268965	28.13	7
AP8224163	28.06	12	AP8248691	28.04	10	AP8268966	28.13	6
AP8224171	28.26	18	AP8248889	28.13	8	AP8268967	28.10	5
AP8224172	28.26	19	AP8248961	28.06	7	AP8268968	28.10	1
AP8224177	28.26	7	AP8248962	28.08	3	AP8268970	28.13	1
AP8224192	28.27	19	AP8248963	28.05	2	AP8276033	29.34	17
AP8224205	28.27	28	AP8248965	28.07	1	AP8277292	28.23	21
AP8224221	28.27	5	AP8248966	28.06	1	AP8277606	28.28	14
AP8224222	28.26	13	AP8248967	28.06	2	AP8277607	28.28	14
AP8224223	28.26	13	AP8248969	28.08	1	AP8277702	28.28	14
AP8224224	28.26	21	AP8248972	28.12	1	AP8540178	28.21	12
AP8224226	28.26	25	AP8248976	28.08	2	AP8700792	30.44	6
AP8224227	28.26	4	AP8248977	28.13	7	AP8700793	30.44	6
AP8224228	28.26	5	AP8248980	28.12	4	AP8700794	30.44	6
AP8224229	28.26	3	AP8248981	28.13	6	AP8720115	30.45	1
AP8224231	28.16	1	AP8248985	28.19	8	AP8720116	30.45	2
AP8224232	28.16	2	AP8249095	28.01	17	AP8720117	30.45	3
AP8224233	28.16	7	AP8249207	28.05	2	AP8720118	30.45	4
AP8224234	28.26	16	AP8249207	28.05	2	AP8791067	30.43	1
AP8224235	28.26	30	AP8249208	28.07	1	AP8791068	30.43	2
AP8224236	28.26	23	AP8249208	28.07	1	AP8791075	30.43	3
AP8224237	28.26	14	AP8249209	28.06	3	AP8791076	30.43	4
AP8224240	28.16	5	AP8249209	28.06	3	AP8792066	30.44	1
AP8224241	28.26	29	AP8249209	28.06	3	AP8792066	30.44	2
AP8224242	28.26	15	AP8249209	28.06	3	AP8792093	30.44	4
AP8224243	28.26	2	AP8249210	28.12	1	AP8795022	30.44	5
AP8224244	28.16	6	AP8249210	28.12	1	CM001905	29.42	3
AP8224489	28.16	8	AP8249210	28.12	1	CM100109	29.37	1
AP8224532	28.26	6	AP8249211	28.12	4	CM100203	29.37	13
AP8224609	28.26	24	AP8249211	28.12	4	CM100601	29.36	15
AP8224617	28.27	1	AP8249211	28.12	4	CM100608	29.36	8
AP8224640	28.18	3	AP8249212	28.04	1	CM100610	29.36	8
AP8224650	28.27	27	AP8249212	28.04	1	CM101509	29.41	10
AP8225123	28.24	3	AP8249217	28.13	7	CM101509	29.41	10
AP8225356	28.24	9	AP8249217	28.13	7	CM101605	29.41	11
AP8225357	28.24	11	AP8249218	28.13	6	CM101704	29.34	11
AP8225358	28.24	7	AP8249218	28.13	6	CM101709	29.34	11
AP8225368	28.23	10	AP8249265	28.16	3	CM101715	29.34	11
AP8226570	28.06	1	AP8249558	28.14	13	CM102103	29.34	12
AP8226570	28.06	1	AP8249629	28.07	3	CM105905	29.34	16
AP8226837	28.01	21	AP8249877	28.15	7	CM106214	29.34	34
AP8226851	28.06	1	AP8249878	28.15	8	CM107507	29.34	17
AP8226893	28.06	1	AP8258092	28.10	5	CM107510	29.34	17
AP8226894	28.06	1	AP8258587	28.05	1	CM107701	29.34	29
AP8229300	28.10	1	AP8258588	28.05	1	CM107702	29.34	29
AP8230535	28.27	8	AP8258596	28.13	1	CM1102025	29.36	5
AP8234156	28.19	2	AP8258597	28.13	1	CM1102045	29.36	5
AP8234157	28.01	2	AP8258663	28.13	1	CM110301	29.36	7
AP8234174	28.15	23	AP8258664	28.13	1	CM110303	29.36	7
AP8234175	28.15	22	AP8258672	28.05	1	CM120901	28.19	10
AP8234176	28.03	22	AP8258673	28.05	1	CM1273215	29.30	1
AP8234241	28.12	3	AP8267615	28.28	14	CM1273305	29.30	1
AP8235168	28.01	1	AP8267616	28.28	14	CM128501	29.34	18
AP8235169	28.01	4	AP8268264	28.18	4	CM128502	29.34	18
AP8235170	28.02	1	AP8268411	28.04	1	CM141701	29.34	15



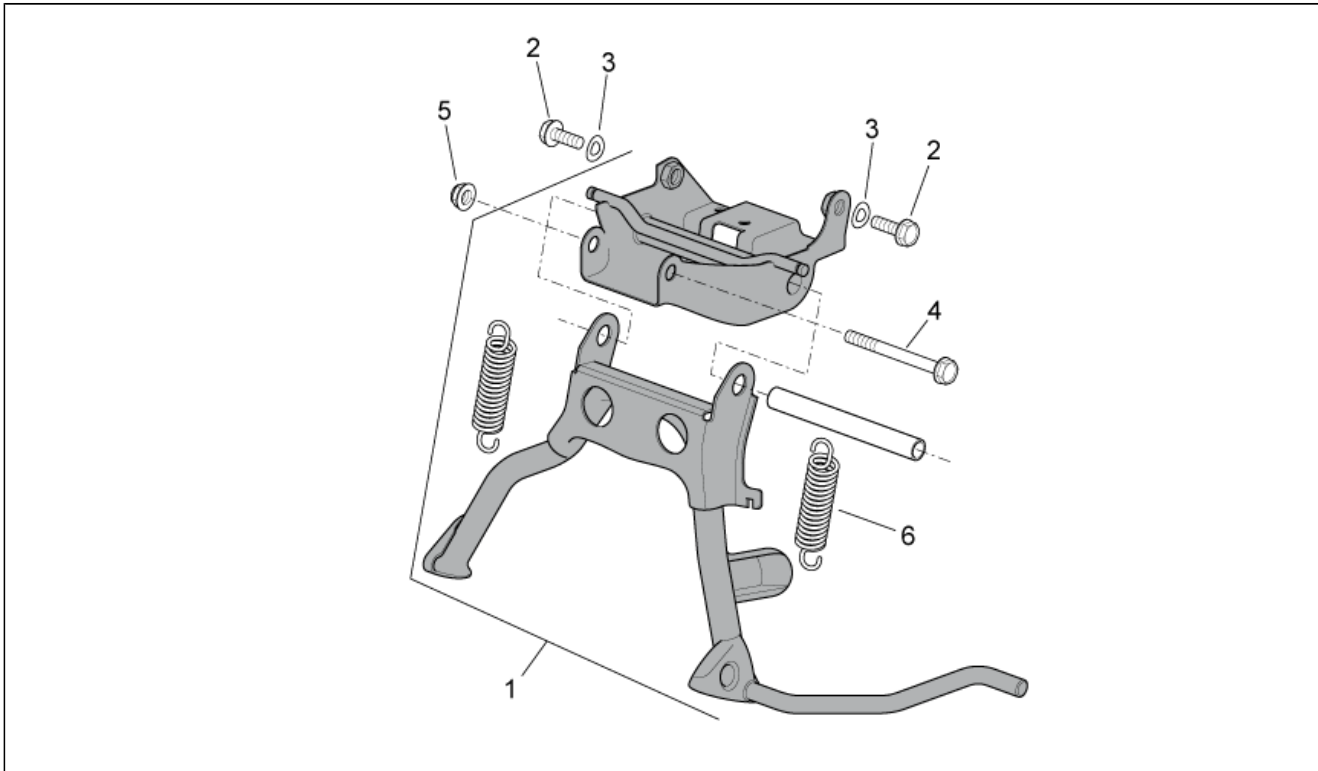
Code	Drawing Nr.	Pos.
CM141710	29.34	15
CM1461015	28.22	1

Assembly	FRAME
Code	28.01
Description	Frame
Revision	1



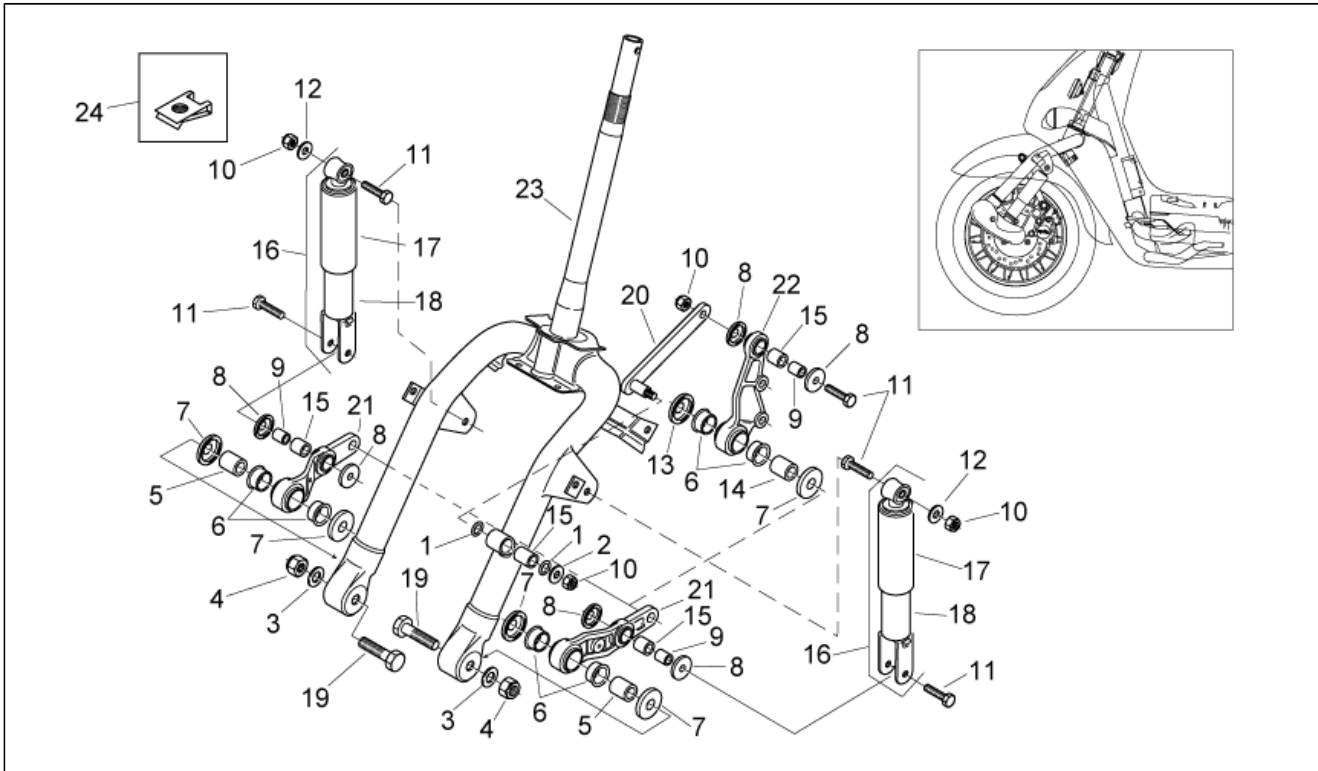
Pos.	Code	Description	Q.ty	Variants
1	AP8235168	Frame with electro-coating	1	
2	AP8234157	Upper body support	1	
3	AP8220269	Cable-guide	1	
4	AP8235169	Engine connecting element	1	
5	AP8221213	Captive nut M6	11	
6	AP8220399	Fase drift	2	
7	AP8221281	Screw m10x240	1	
8	AP8150436	Low self-locking nut M10	1	
9	AP8152176	Washer 10,5X18X2*	1	
10	254485	Clip M6	10	
11	AP8102375	Clip M5	2	
12	598839	Screw w/ flange M6x16*	2	
13	AP8203923	Ball ring set, complete	1	
14	AP8201763	Screw clip D5,5*	8	
15	AP8201764	Screw clip D5,5*	2	
16	AP8201772	Sheath	1	
17	AP8249095	Lock prot.	1	
18	AP8150413	Self-tap screw 3,9x14	1	
19	AP8201457	Rivet *	3	
20	AP8117004	Adhesive sponge 15x8	1	
21	AP8226837	Water protection	1	

Assembly	FRAME
Code	28.02
Description	Central stand
Revision	1



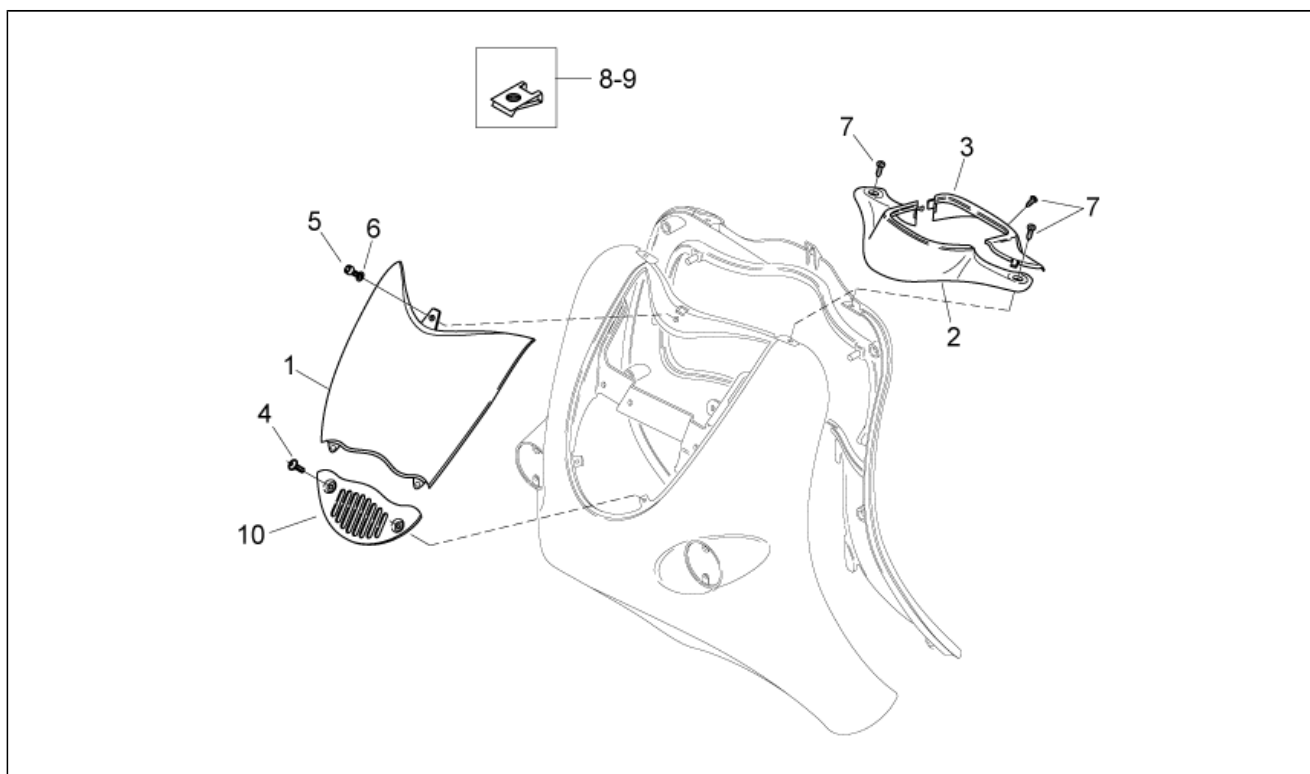
Pos.	Code	Description	Q.ty	Variants
1	AP8235170	Central stand	1	
2	AP8152287	Screw w/ flange M8x25*	2	
3	AP8150376	Washer 8,5x15x0,8	2	
4	AP8152294	Screw w/ flange M8x70*	1	
5	AP8152300	Self-locking nut M8*	1	
6	278940	Spring	2	

Assembly	FRAME
Code	28.03
Description	Front shock absorber
Revision	1



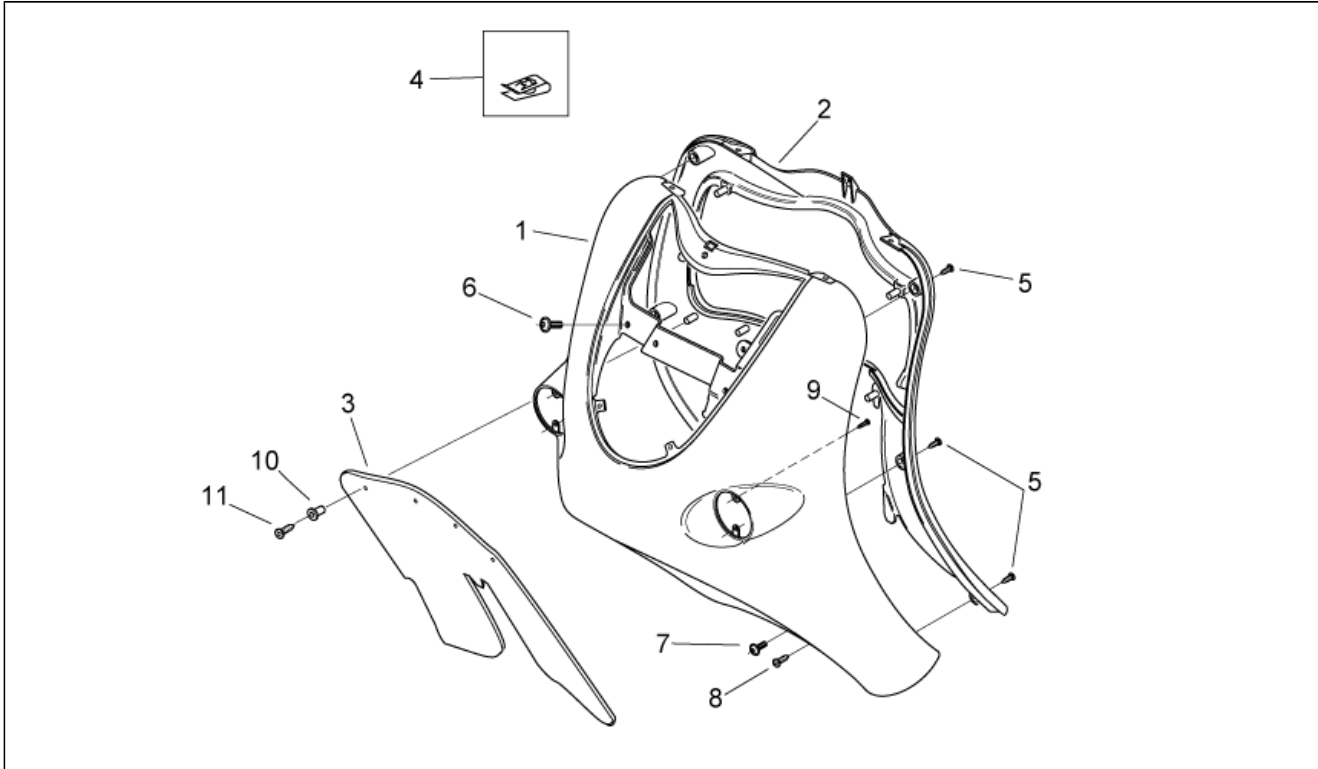
Pos.	Code	Description	Q.ty	Variants
1	AP8220177	O-ring 115	2	
2	AP8203542	Special washer	1	
3	AP8150101	Washer 13x24x2,5*	2	
4	AP8150432	Low self-locking nut M12*	2	
5	AP8203538	Bush	2	
6	AP8203522	Nylon bush	6	
7	AP8203520	Cup	5	
8	AP8203521	Cup D20	6	
9	AP8203536	Bush	3	
10	AP8150431	Low nut	4	
11	AP8201602	Hex screw M8x35	5	
12	AP8150017	Washer 8,4x16x1,6*	2	
13	AP8203519	Cup D28	1	
14	AP8203524	Bush	1	
15	AP8203523	Nylon bush	4	
16	AP8123881	Fork shock absorber	2	
17	AP8248182	Upper shock absorber cover	2	
18	AP8248183	Lower shock absorber cover	2	
19	AP8203972	Screw m12x50	2	
20	AP8203971	Plate	1	
21	AP8203970	Connecting rod	2	
22	AP8234176	Brake caliper plate	1	
23	AP8163376	Front fork	1	
24	AP8102375	Clip M5	4	

Assembly	FRAME
Code	28.04
Description	Front body I
Revision	1



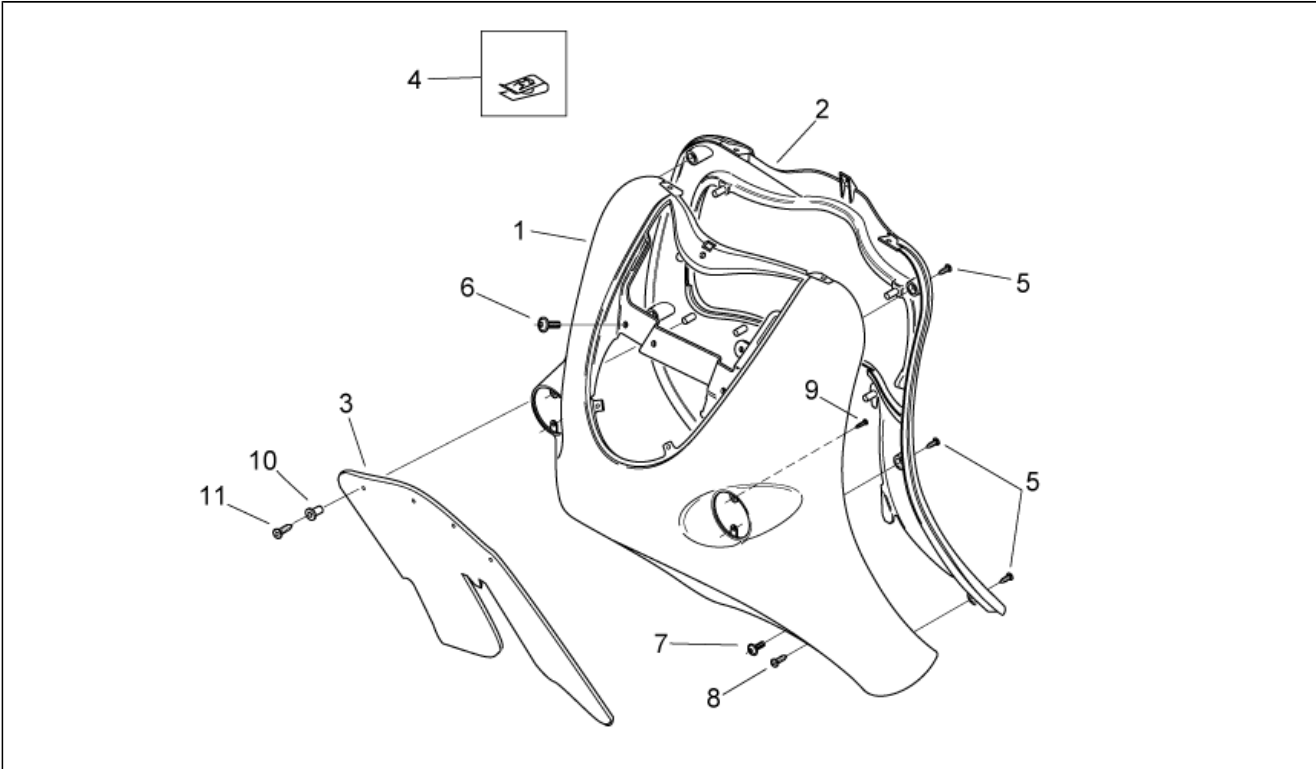
Pos.	Code	Description	Q.ty	Variants
1	AP8184530	Front fairing, grey	1	year: 2008[8] Color:Aprilia Black 2008 (s.t.860599)[black]
1	AP8248690	Front fairing, chalk white	1	year: 2004[4] Color:Varadero Cyan / Chalk White 2004 (s.t.11588)[v.cya]
1	AP8249212	Front fairing, opaque black	1	year: 2004[4], 2007[7] Color:Aprilia Black / Opaque Black 2004 (s.t.11589)[a.blk]
1	AP8249212	Front fairing, opaque black	1	year: 2004[4], 2007[7] Color:Aprilia Black / Opaque Black 2004 (s.t.11589)[a.blk]
1	AP8268411	Front fairing, bronze	1	year: 2005[5], 2007[7] Color:Cambridge White / Arrow Bronze 05-07 (s.t.14824) [white]
1	AP8268952	Front fairing, grey	1	year: 2008[8] Color:Aprilia White 2008 (s.t.860844)[a.wh], Iris Cyan 2008 (s.t.860846)[iris]
2	AP8248184	Front collar, chr.	1	
3	AP8248185	Rear collar, chr.	1	
4	AP8152298	Screw w/ flange M5x16	2	
5	AP8152043	Hex socket screw M4x10	1	
6	AP8150158	Washer 4,3x9x0,8*	1	
7	AP8152351	Screw 4,2x16*	3	
8	AP8102375	Clip M5	2	
9	AP8102381	Clip M4	1	
10	AP8248691	Panel, chr.	1	

Assembly	FRAME
Code	28.05
Description	Front body II
Revision	1



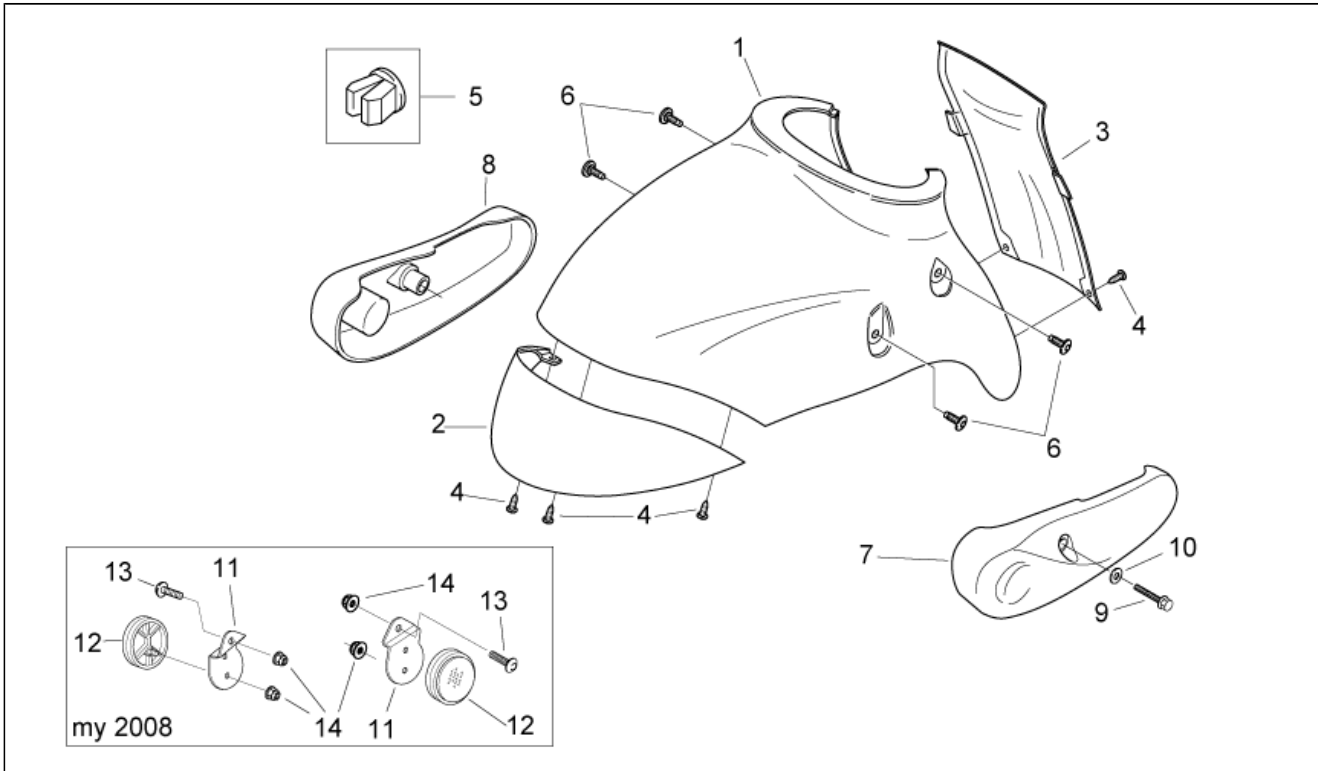
Pos.	Code	Description	Q.ty	Variants
1	AP8158470	Front shield, Ap.black	1	year: 2008[8] Color:Aprilia Black 2008 (s.t.860599)[black]
1	AP8258587	Front shield, varadero cyan	1	year: 2004[4] Color: Varadero Cyan / Chalk White 2004 (s.t.11588)[v.cya] Country:B-UK-I-NL[EU]
1	AP8258588	Front shield, Ap.black	1	year: 2004[4], 2007[7] Color: Aprilia Black / Opaque Black 2004 (s.t.11589)[a.blk] Country:B-UK-I-NL[EU]
1	AP8258672	Front shield, varadero cyan	1	year: 2004[4] Color: Varadero Cyan / Chalk White 2004 (s.t.11588)[v.cya] Country:E[SP]
1	AP8258673	Front shield, Ap.black	1	year: 2004[4], 2007[7] Color: Aprilia Black / Opaque Black 2004 (s.t.11589)[a.blk] Country:E[SP]
1	AP8268421	Front shield, cambridge white	1	year: 2005[5], 2007[7] Color:Cambridge White / Arrow Bronze 05-07 (s.t.14824) [white]
1	AP8268953	Front fairing, white	1	year: 2008[8] Color:Aprilia White 2008 (s.t.860844)[a.wh]
1	AP8268963	Front shield, cyan	1	year: 2008[8] Color:Iris Cyan 2008 (s.t.860846)[iris]
2	86022200AF	Internal shield, cyan	1	year: 2008[8] Color:Iris Cyan 2008 (s.t.860846)[iris]
2	86022200XB3	Internal shield, white	1	year: 2008[8] Color:Aprilia White 2008 (s.t.860844)[a.wh]
2	86022200XN5	Internal shield, Aprilia black	1	year: 2008[8] Color:Aprilia Black 2008 (s.t.860599)[black]
2	AP8248963	Internal shield, varadero cyan	1	year: 2004[4] Color:Varadero Cyan / Chalk White 2004 (s.t.11588)[v.cya]
2	AP8249207	Internal shield, Aprilia black	1	year: 2004[4], 2007[7] Color:Aprilia Black / Opaque Black 2004 (s.t.11589)[a.blk]
2	AP8249207	Internal shield, Aprilia black	1	year: 2005[5], 2007[7]

Assembly	FRAME
Code	28.05
Description	Front body II
Revision	1



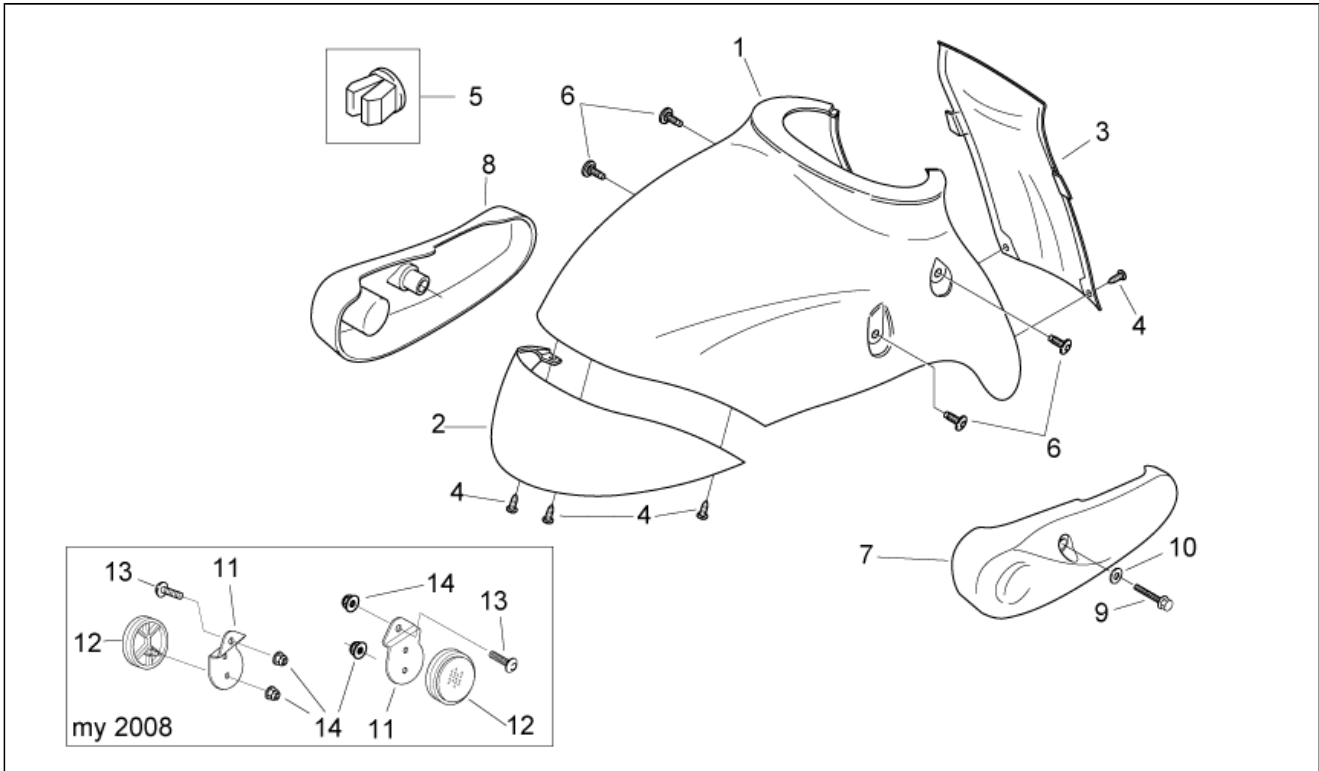
Pos.	Code	Description	Q.ty	Variants
				Color: Cambridge White / Arrow Bronze 05-07 (s.t.14824) [white]
3	AP8178134	Water protection	1	
4	AP8202449	Clip	3	
5	AP8150413	Self-tap screw 3,9x14	6	
6	AP8152246	Screw w/ flange M6x16*	2	
7	AP8152298	Screw w/ flange M5x16	1	
8	AP8152351	Screw 4,2x16*	1	
9	AP8150444	Self-tapping screw	4	
10	AP8121811	T bush	4	
11	AP8150420	Self-tapping screw *	4	

Assembly	FRAME
Code	28.06
Description	Front body III
Revision	1



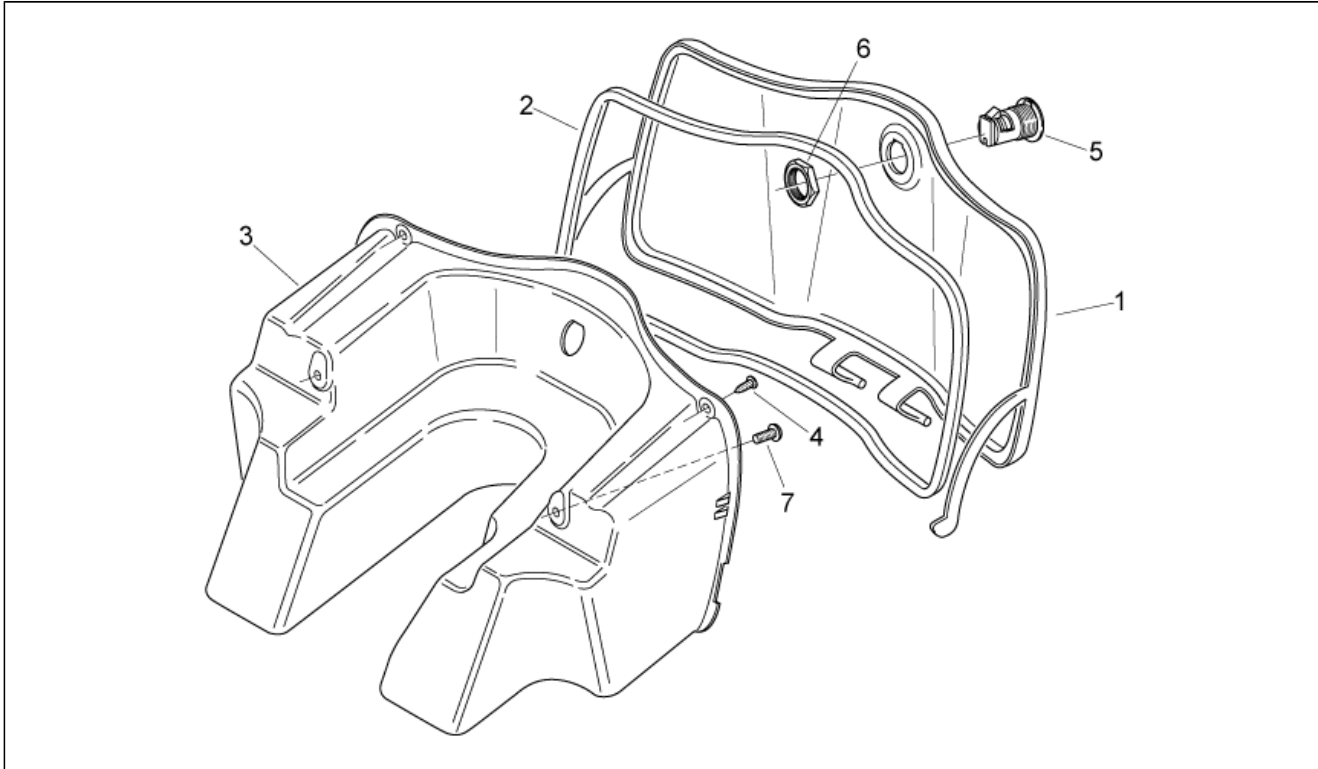
Pos.	Code	Description	Q.ty	Variants
1	AP8226570	Front mudguard, ap.black	1	year: 2008[8] Color:Aprilia Black 2008 (s.t.860599)[black]
1	AP8226570	Front mudguard, ap.black	1	year: 2004[4], 2007[7] Color:Aprilia Black / Opaque Black 2004 (s.t.11589)[a.blk]
1	AP8226851	Front mudguard, white	1	year: 2005[5], 2007[7] Color:Cambridge White / Arrow Bronze 05-07 (s.t.14824)[white]
1	AP8226893	Front mudguard, white	1	year: 2008[8] Color:Aprilia White 2008 (s.t.860844)[a.wh]
1	AP8226894	Front mudguard, cyan	1	year: 2008[8] Color:Iris Cyan 2008 (s.t.860846)[iris]
1	AP8248966	Front mudguard, cyan	1	year: 2004[4] Color:Varadero Cyan / Chalk White 2004 (s.t.11588)[v.cya]
2	AP8248967	Front mudguard finish, chr.	1	
3	AP8249209	Front mudguard lockup, black	1	year: 2004[4] Color:Varadero Cyan / Chalk White 2004 (s.t.11588)[v.cya]
3	AP8249209	Front mudguard lockup, black	1	year: 2005[5], 2007[7] Color:Cambridge White / Arrow Bronze 05-07 (s.t.14824)[white]
3	AP8249209	Front mudguard lockup, black	1	year: 2004[4], 2007[7] Color:Aprilia Black / Opaque Black 2004 (s.t.11589)[a.blk]
3	AP8249209	Front mudguard lockup, black	1	year:2008[8]
4	AP8150413	Self-tap screw 3,9x14	5	
5	AP8102671	Plastic rivet	5	
6	AP8152302	Screw w/ flange M5x12	4	
7	AP8248961	LH Connecting rod cover, chr.	1	
8	AP8248171	RH Connecting rod cover, chr.	1	
9	AP8152341	Screw w/ flange M5X40	2	
10	AP8150012	Washer 5,3x10x1*	2	
11	AP8148587	Reflector support	2	year:2008[8]
12	AP8224163	Reflector, amber	2	year:2008[8]

Assembly	FRAME
Code	28.06
Description	Front body III
Revision	1



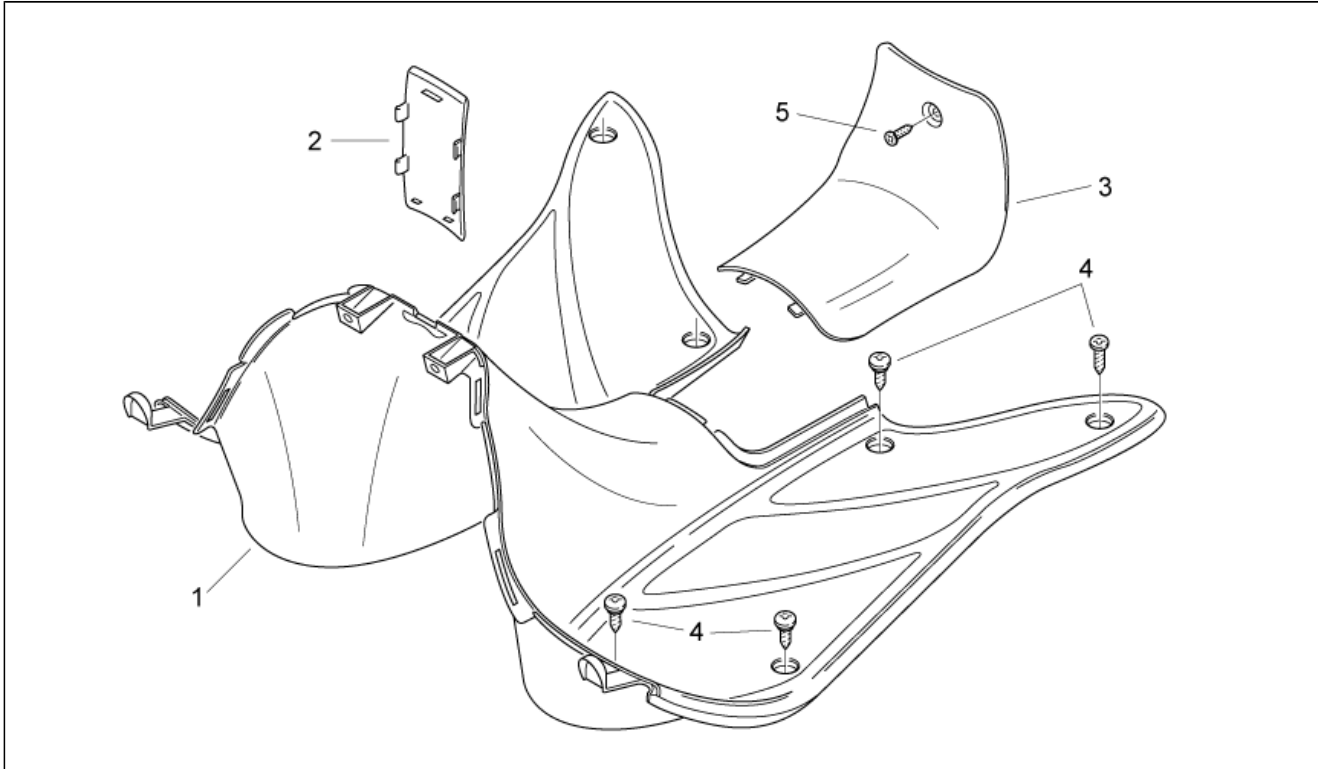
Pos.	Code	Description	Q.ty	Variants
13	AP8152298	Screw w/ flange M5x16	2	year:2008[8]
14	AP8152306	Self-locking nut M5*	4	year:2008[8]

Assembly	FRAME
Code	28.07
Description	Central body I
Revision	1



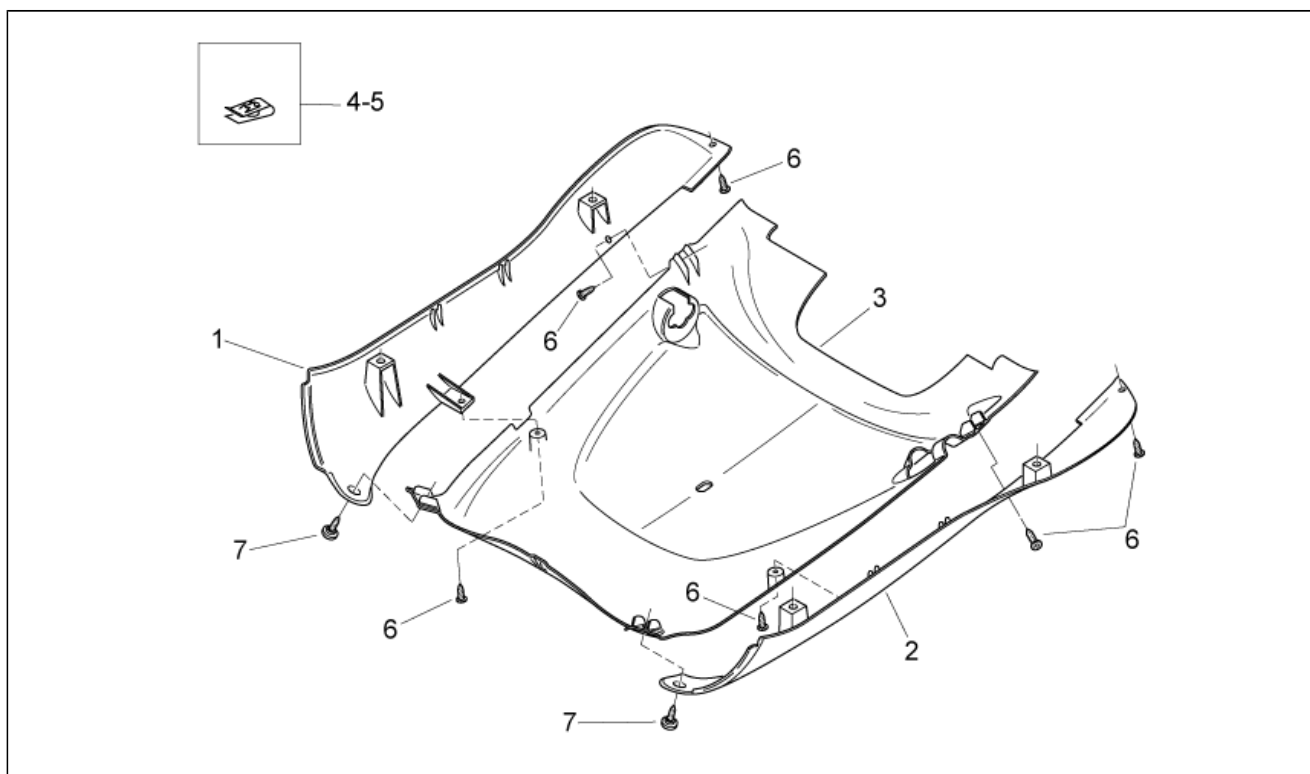
Pos.	Code	Description	Q.ty	Variants
1	86022300AF	Glove comp.door, azure	1	year: 2008[8] Color:Iris Cyan 2008 (s.t.860846)[iris]
1	86022300XB3	Glove comp.door, white	1	year: 2008[8] Color:Aprilia White 2008 (s.t.860844)[a.wh]
1	86022300XN5	Glove comp.door, ap.black	1	year: 2008[8] Color:Aprilia Black 2008 (s.t.860599)[black]
1	AP8248965	Glove comp.door, var.cyan	1	year: 2004[4] Color:Varadero Cyan / Chalk White 2004 (s.t.11588)[v.cya]
1	AP8249208	Glove comp.door, ap.black	1	year: 2004[4], 2007[7] Color:Aprilia Black / Opaque Black 2004 (s.t.11589)[a.blk]
1	AP8249208	Glove comp.door, ap.black	1	year: 2005[5], 2007[7] Color:Cambridge White / Arrow Bronze 05-07 (s.t.14824) [white]
2	AP8220407	Top box weatherseal	1	
3	AP8249629	Glove holder	1	
4	AP8150413	Self-tap screw 3,9x14	2	
5	AP8104612	Front box lock	1	
6	AP8102523	Lock nut	1	
7	AP8150426	Screw 5,5x15,9*	2	

Assembly	FRAME
Code	28.08
Description	Central body II
Revision	1



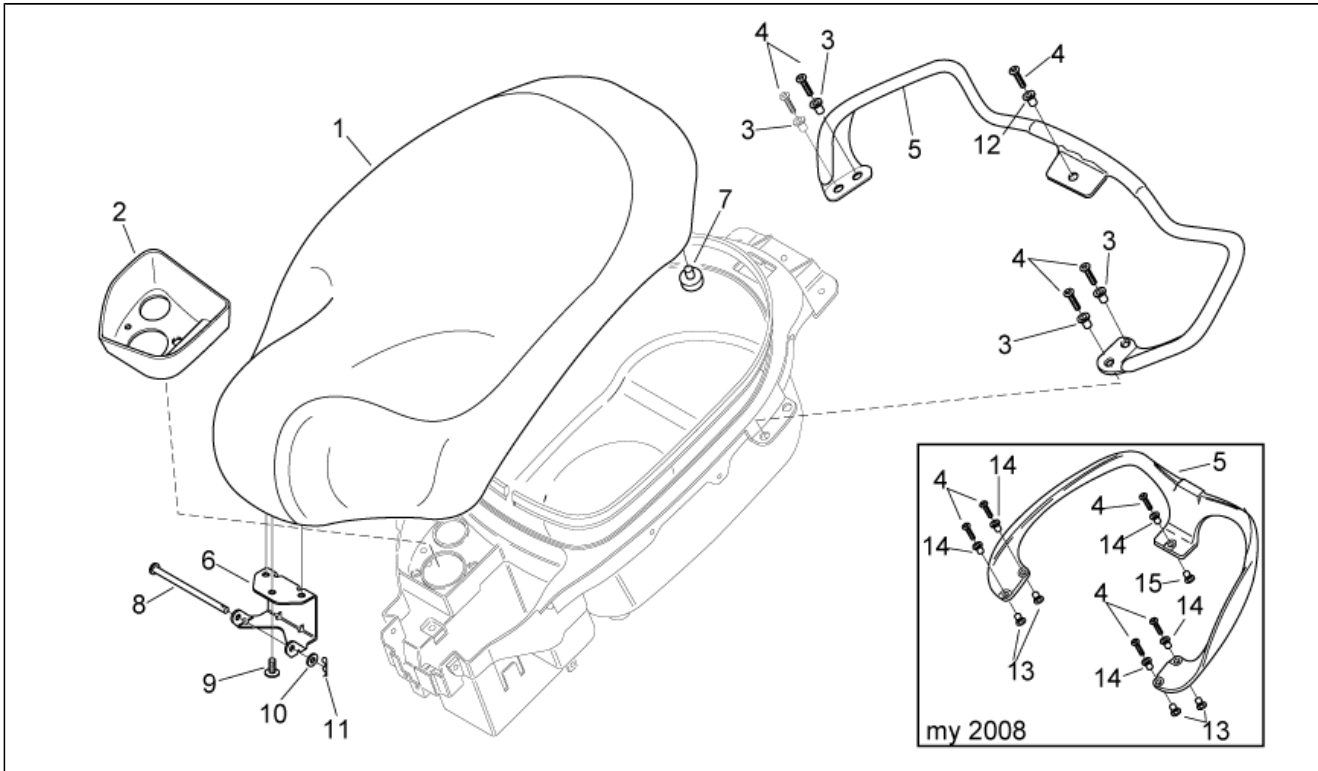
Pos.	Code	Description	Q.ty	Variants
1	AP8248969	Floor panel, black	1	
2	AP8248976	Type appr.data cover, black	1	
3	AP8248962	Inspection cover, black	1	
4	AP8152345	Screw 5,5x20	8	
5	AP8152351	Screw 4,2x16*	1	

Assembly	FRAME
Code	28.09
Description	Central body III
Revision	1



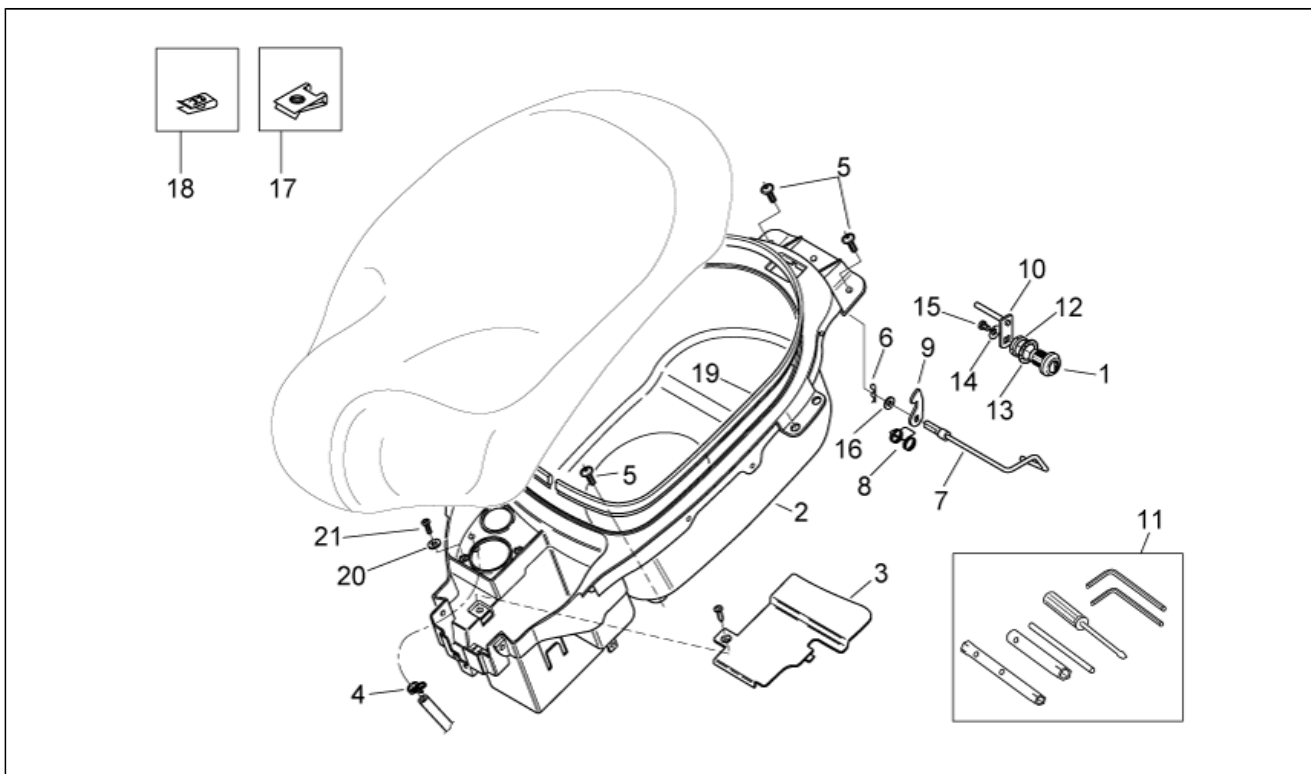
Pos.	Code	Description	Q.ty	Variants
1	AP8149411	RH side panel, black	1	year: 2005[5], 2007[7] Color:Cambridge White / Arrow Bronze 05-07 (s.t.14824) [white]
1	AP8149411	RH side panel, black	1	year: 2004[4], 2007[7] Color:Aprilia Black / Opaque Black 2004 (s.t.11589)[a.blk]
1	AP8149411	RH side panel, black	1	year:2008[8]
1	AP8149426	RH side panel, cyan	1	year: 2004[4] Color:Varadero Cyan / Chalk White 2004 (s.t.11588)[v.cya]
2	AP8149412	LH side panel, black	1	year: 2004[4], 2007[7] Color:Aprilia Black / Opaque Black 2004 (s.t.11589)[a.blk]
2	AP8149412	LH side panel, black	1	year:2008[8]
2	AP8149412	LH side panel, black	1	year: 2005[5], 2007[7] Color:Cambridge White / Arrow Bronze 05-07 (s.t.14824) [white]
2	AP8149427	LH side panel, cyan	1	year: 2004[4] Color:Varadero Cyan / Chalk White 2004 (s.t.11588)[v.cya]
3	AP8248175	Low. prot.fairing, black	1	
4	AP8202449	Clip	5	
5	AP8201763	Screw clip D5,5*	6	
6	AP8152351	Screw 4,2x16*	4	
7	AP8152345	Screw 5,5x20	2	

Assembly	FRAME
Code	28.10
Description	Saddle - Handle
Revision	1



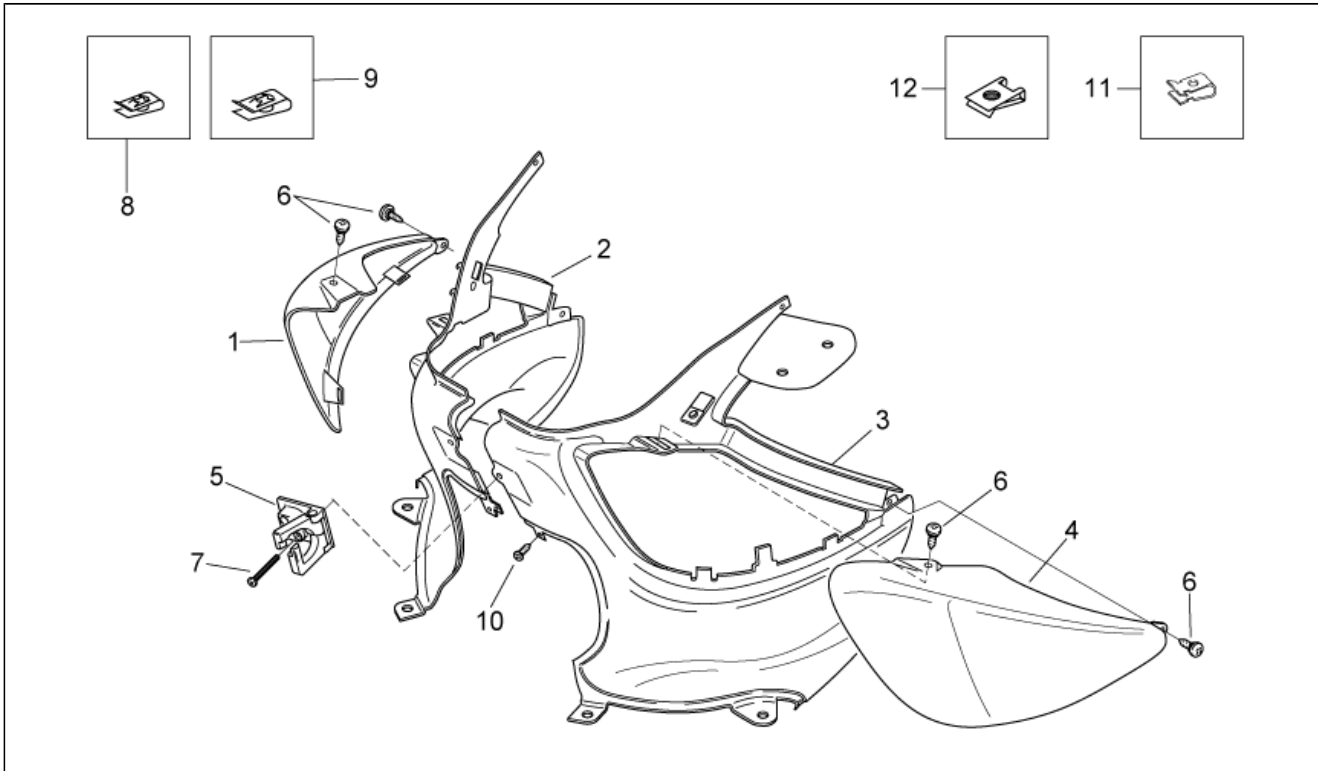
Pos.	Code	Description	Q.ty	Variants
1	AP8129298	Saddle, black (two p)	1	year:2004[4], 2005[5], 2007[7]
1	AP8129517	Saddle	1	year: 2008[8] Color:Aprilia Black 2008 (s.t.860599)[black]
1	AP8229300	Saddle, black (one p)	1	year:2004[4], 2005[5], 2007[7]
1	AP8268958	Saddle	1	year: 2008[8] Color:Aprilia White 2008 (s.t.860844)[a.wh]
1	AP8268968	Saddle	1	year: 2008[8] Color:Iris Cyan 2008 (s.t.860846)[iris]
2	AP8220547	Filler cup guard	1	
3	AP8121795	T bush *	4	
4	AP8152136	Hex socket screw M6x35*	5	
5	AP8149136	Pillion grab bar, a.black	1	year: 2008[8] Color:Aprilia Black 2008 (s.t.860599)[black]
5	AP8258092	Pillion grab bar, chr.	1	year:2004[4], 2005[5], 2007[7]
5	AP8268957	Pillion grab bar,white	1	year: 2008[8] Color:Aprilia White 2008 (s.t.860844)[a.wh]
5	AP8268967	Pillion grab bar, cyan	1	year: 2008[8] Color:Iris Cyan 2008 (s.t.860846)[iris]
6	AP8248158	Saddle hinge	1	
7	AP8220349	Rubber spacer	4	
8	AP8221282	Saddle spin	1	
9	AP8152246	Screw w/ flange M6x16*	3	
10	AP8150014	Washer 6,4x12,5*	1	
11	AP8201643	Split pin	2	
12	AP8121795	T bush *	1	
13	AP8161001	T bush *	4	year:2008[8]
14	AP8121032	Bush	5	year:2008[8]
15	AP8161002	T bush *	1	year:2008[8]

Assembly	FRAME
Code	28.11
Description	Helmet compartment
Revision	1



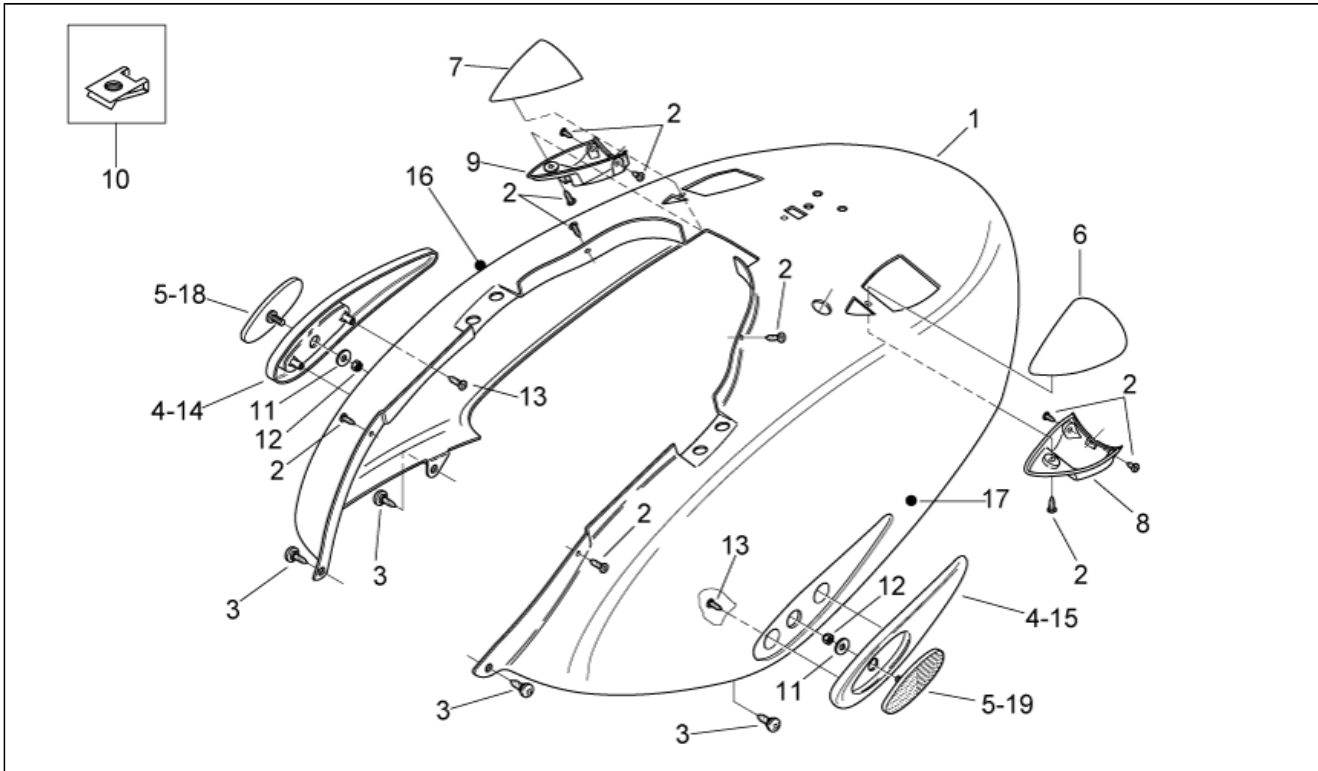
Pos.	Code	Description	Q.ty	Variants
1	AP8202169	Top box lock	1	
2	AP8248160	Helmet compartment	1	
3	AP8248161	Battery cover	1	
4	AP8101595	Hose clamp D10,1*	1	
5	AP8152246	Screw w/ flange M6x16*	4	
6	AP8201643	Split pin	1	
7	AP8221294	Saddle lockup gear	1	
8	AP8221295	Saddle lockup spring	1	
9	AP8221293	Saddle lockup hook	1	
10	AP8202167	Saddle lockup lever	1	
11	852232	Toolkit	1	
12	AP8152194	Low nut M19x1*	1	
13	AP8221312	Notched washer	1	
14	AP8201748	Washer	1	
15	AP8201749	Screw M4x6	1	
16	AP8150017	Washer 8,4x16x1,6*	1	
17	AP8102381	Clip M4	2	
18	AP8202449	Clip	1	
19	890507	Top box weatherseal	1	
20	AP8150013	Washer 5,5x15x1,6*	2	
21	855799	Screw w/ flange M5x25*	2	

Assembly	FRAME
Code	28.12
Description	Rear body I
Revision	1



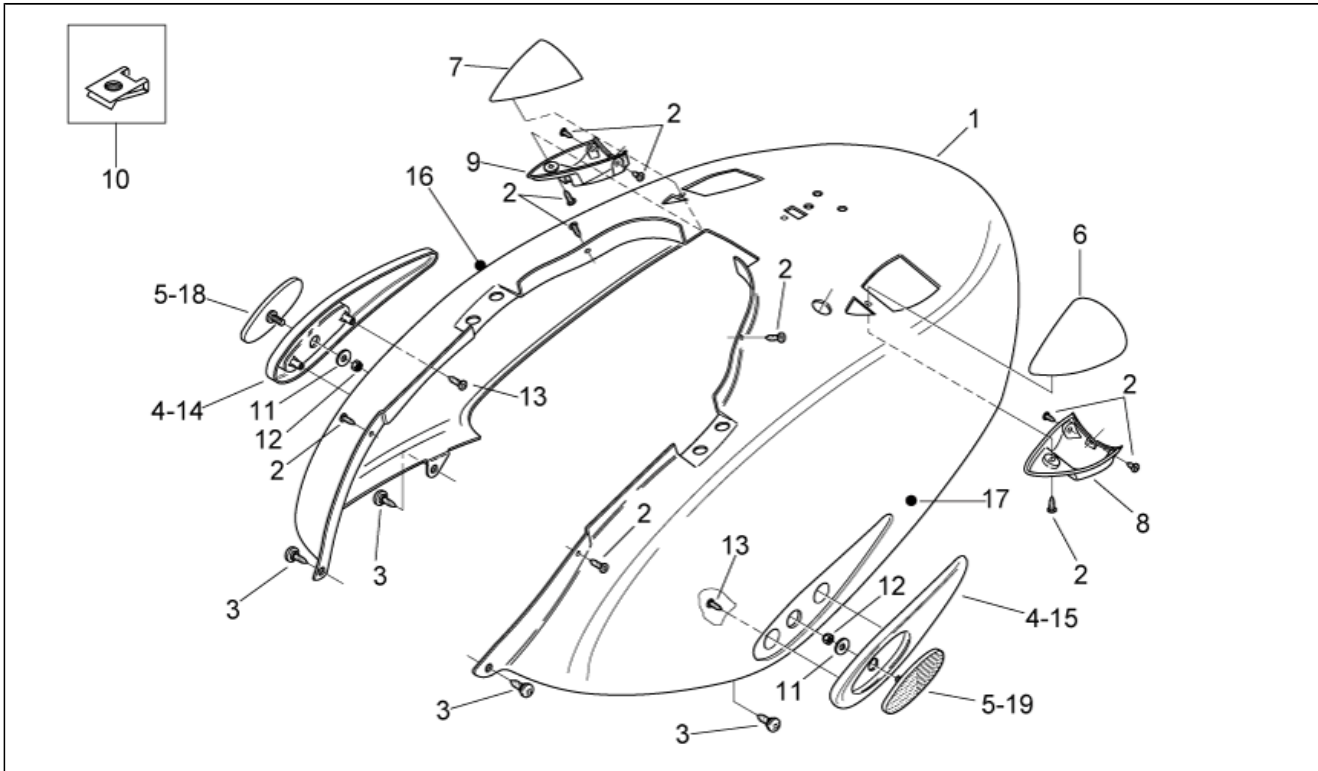
Pos.	Code	Description	Q.ty	Variants
1	AP8248972	RH undersaddle, var.cyan	1	year: 2004[4] Color: Varadero Cyan / Chalk White 2004 (s.t.11588)[v.cya]
1	AP8249210	RH undersaddle, ap.black	1	year: 2005[5], 2007[7] Color: Cambridge White / Arrow Bronze 05-07 (s.t.14824)[white]
1	AP8249210	RH undersaddle, ap.black	1	year: 2004[4], 2007[7] Color: Aprilia Black / Opaque Black 2004 (s.t.11589)[a.blk]
1	AP8249210	RH undersaddle, ap.black	1	year: 2008[8]
2	AP8158417	RH lat.inspection cover, black	1	
3	AP8234241	LH lat.inspection cover, black	1	
4	AP8248980	LH undersaddle, var.cyan	1	year: 2004[4] Color: Varadero Cyan / Chalk White 2004 (s.t.11588)[v.cya]
4	AP8249211	LH undersaddle, ap.black	1	year: 2004[4], 2007[7] Color: Aprilia Black / Opaque Black 2004 (s.t.11589)[a.blk]
4	AP8249211	LH undersaddle, ap.black	1	year: 2005[5], 2007[7] Color: Cambridge White / Arrow Bronze 05-07 (s.t.14824)[white]
4	AP8249211	LH undersaddle, ap.black	1	year: 2008[8]
5	AP8201534	Undersaddle hook cpl.	1	
6	AP8152345	Screw 5,5x20	4	
7	AP8150415	Screw M4x35*	2	
8	AP8202449	Clip	3	
9	AP8201763	Screw clip D5,5*	6	
10	AP8152351	Screw 4,2x16*	2	
11	AP8213472	Gripper clip	1	
12	254485	Clip M6	2	

Assembly	FRAME
Code	28.13
Description	Rear body II
Revision	1



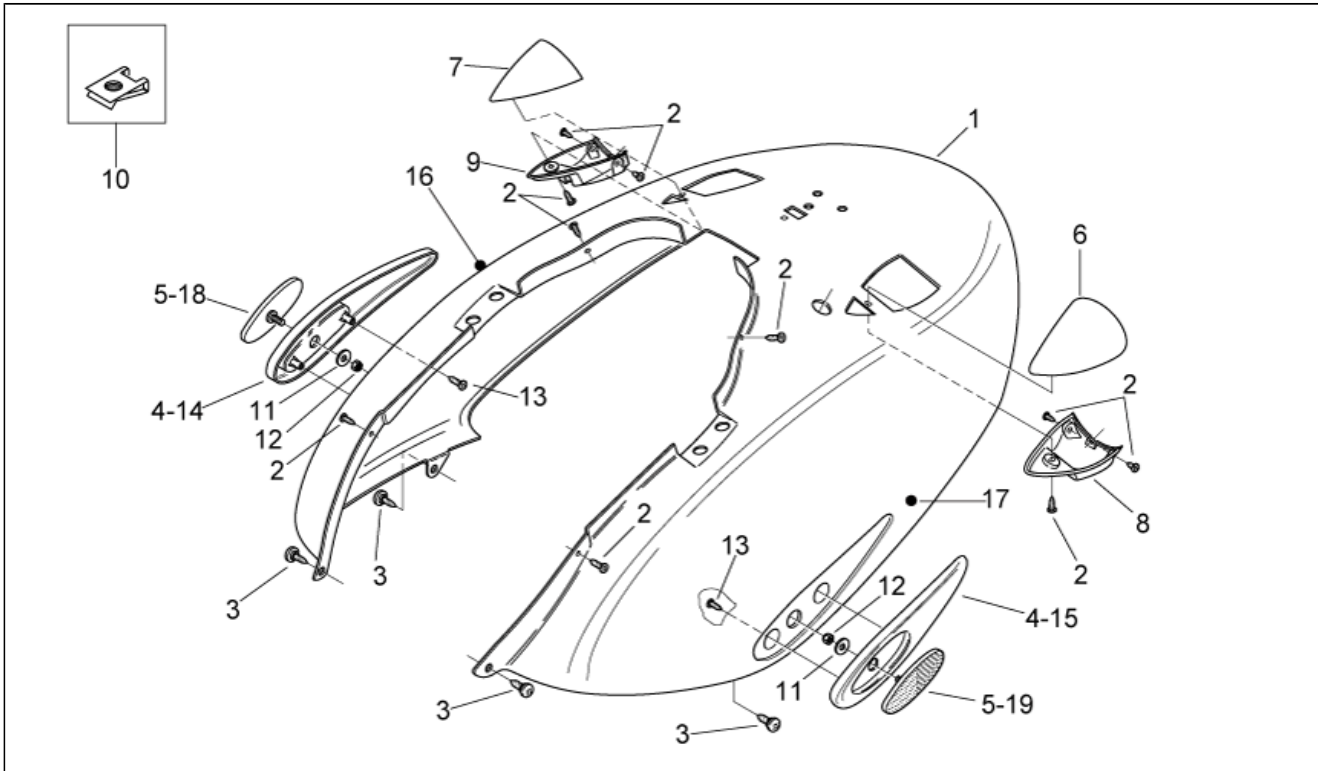
Pos.	Code	Description	Q.ty	Variants
1	AP8139999	Rear fairing, Ap.Black	1	year: 2008[8] Color: Aprilia Black 2008 (s.t.860599)[black] Technical Specifications:Without decals applied[ND]
1	AP8258596	Rear fairing, varadero cyan	1	year: 2004[4] Color: Varadero Cyan / Chalk White 2004 (s.t.11588)[v.cya] Country:B-UK-I-NL[EU]
1	AP8258597	Rear fairing, Ap.Black	1	year: 2004[4], 2007[7] Color: Aprilia Black / Opaque Black 2004 (s.t.11589)[a.blk] Country:B-UK-I-NL[EU]
1	AP8258663	Rear fairing, varadero cyan	1	year: 2004[4] Color: Varadero Cyan / Chalk White 2004 (s.t.11588)[v.cya] Country:E[SP]
1	AP8258664	Rear fairing, Ap.Black	1	year: 2004[4], 2007[7] Color: Aprilia Black / Opaque Black 2004 (s.t.11589)[a.blk] Country:E[SP]
1	AP8268422	Rear fairing,cambridge white	1	year: 2005[5], 2007[7] Color:Cambridge White / Arrow Bronze 05-07 (s.t.14824) [white]
1	AP8268961	Rear fairing, Aprilia white	1	year: 2008[8] Color: Aprilia White 2008 (s.t.860844)[a.wh] Technical Specifications:Without decals applied[ND]
1	AP8268970	Rear fairing, cyan	1	year: 2008[8] Color: Iris Cyan 2008 (s.t.860846)[iris] Technical Specifications:Without decals applied[ND]
2	AP8150413	Self-tap screw 3,9x14	10	
3	AP8152345	Screw 5,5x20	4	
4	AP8158408	Oval finish	2	year:2004[4], 2005[5], 2007[7]
5	AP8224114	Oval reflector, amber	2	year:2004[4], 2005[5], 2007[7]
6	AP8248981	LH turn indicator, cyan	1	year: 2004[4] Color:Varadero Cyan / Chalk White 2004 (s.t.11588)[v.cya]
6	AP8249218	LH turn indicator, black	1	year: 2004[4], 2007[7] Color:Aprilia Black / Opaque Black 2004 (s.t.11589)[a.blk]
6	AP8249218	LH turn indicator, black	1	year: 2008[8]

Assembly	FRAME
Code	28.13
Description	Rear body II
Revision	1



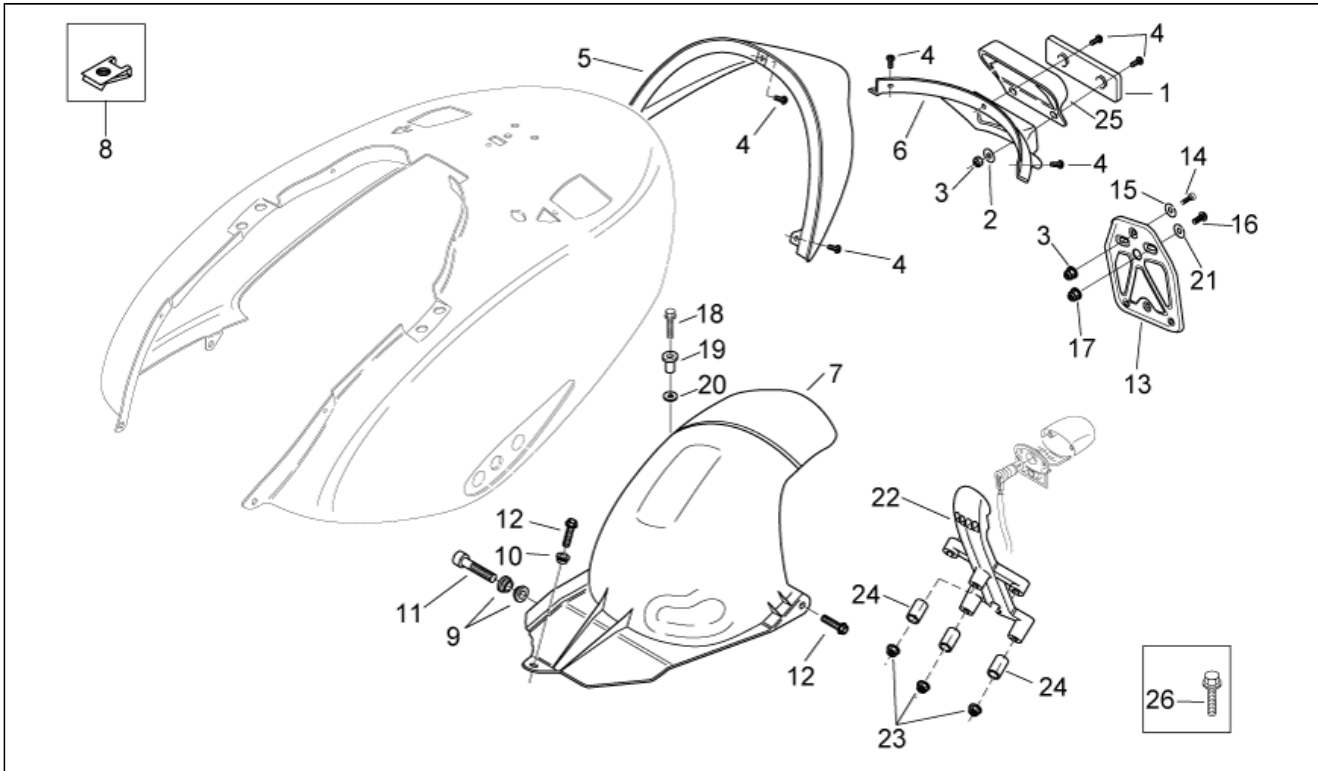
Pos.	Code	Description	Q.ty	Variants
				Color: Aprilia Black 2008 (s.t.860599)[black]
6	AP8268418	LH turn indicator, white	1	year: 2005[5], 2007[7] Color: Cambridge White / Arrow Bronze 05-07 (s.t.14824) [white]
6	AP8268956	LH turn indicator, white	1	year: 2008[8] Color: Aprilia White 2008 (s.t.860844)[a.wh]
6	AP8268966	LH turn indicator, cyan	1	year: 2008[8] Color: Iris Cyan 2008 (s.t.860846)[iris]
7	AP8248977	RH turn indicator, cyan	1	year: 2004[4] Color: Varadero Cyan / Chalk White 2004 (s.t.11588)[v.cya]
7	AP8249217	RH turn indicator, black	1	year: 2008[8] Color: Aprilia Black 2008 (s.t.860599)[black]
7	AP8249217	RH turn indicator, black	1	year: 2004[4], 2007[7] Color: Aprilia Black / Opaque Black 2004 (s.t.11589)[a.blk]
7	AP8268417	RH turn indicator, white	1	year: 2005[5], 2007[7] Color: Cambridge White / Arrow Bronze 05-07 (s.t.14824) [white]
7	AP8268955	RH turn indicator, white	1	year: 2008[8] Color: Aprilia White 2008 (s.t.860844)[a.wh]
7	AP8268965	RH turn indicator, cyan	1	year: 2008[8] Color: Iris Cyan 2008 (s.t.860846)[iris]
8	AP8248889	LH dir.light place, black	1	
9	AP8149166	RH dir.light place, black	1	
10	AP8102381	Clip M4	6	
11	AP8150159	Washer 4,3x16*	2	
12	AP8150204	Nut M4	2	
13	AP8150421	Self-tap screw 2,9x12	4	
14	860190	RH Oval finish	1	year: 2008[8]
15	860191	LH Oval finish	1	year: 2008[8]
16	860859	RH rear fairing decal	1	year: 2008[8] Color: Aprilia Black 2008 (s.t.860599)[black]

Assembly	FRAME
Code	28.13
Description	Rear body II
Revision	1



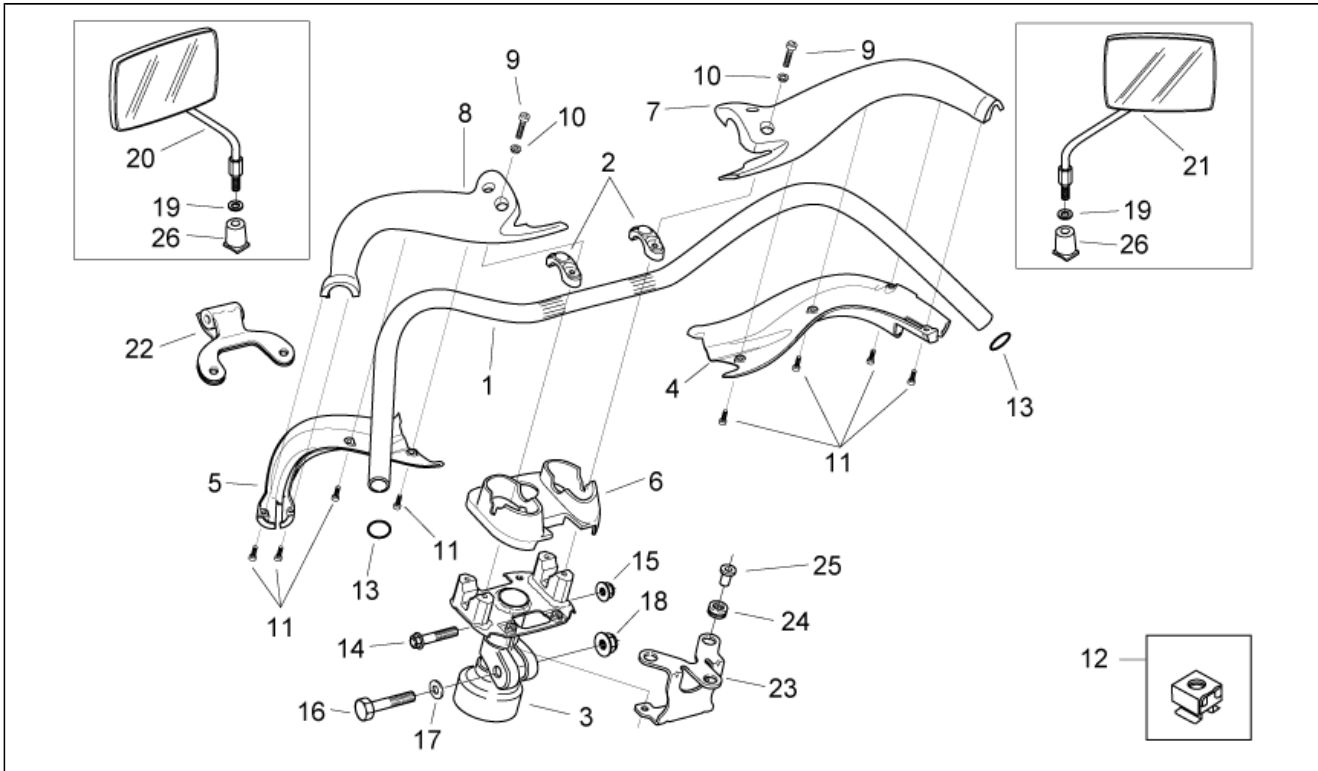
Pos.	Code	Description	Q.ty	Variants
16	860861	RH rear fairing decal	1	year: 2008[8] Color:Aprilia White 2008 (s.t.860844)[a.wh]
16	860865	RH rear fairing decal	1	year: 2008[8] Color:Iris Cyan 2008 (s.t.860846)[iris]
17	860860	LH rear fairing decal	1	year: 2008[8] Color:Aprilia Black 2008 (s.t.860599)[black]
17	860862	LH rear fairing decal	1	year: 2008[8] Color:Aprilia White 2008 (s.t.860844)[a.wh]
17	860866	LH rear fairing decal	1	year: 2008[8] Color:Iris Cyan 2008 (s.t.860846)[iris]
18	860264	Sticker RH Mojito	1	year: 2008[8] Color:Aprilia Black 2008 (s.t.860599)[black]
18	860863	Sticker RH Mojito	1	year: 2008[8] Color:Aprilia White 2008 (s.t.860844)[a.wh], Iris Cyan 2008 (s.t.860846)[iris]
18	860867	Sticker RH Compay	1	year: 2008[8] Color:Aprilia Black 2008 (s.t.860599)[black]
18	860869	Sticker RH Compay	1	year: 2008[8] Color:Aprilia White 2008 (s.t.860844)[a.wh], Iris Cyan 2008 (s.t.860846)[iris]
19	860265	Sticker LH Mojito	1	year: 2008[8] Color:Aprilia Black 2008 (s.t.860599)[black]
19	860864	Sticker LH Mojito	1	year: 2008[8] Color:Aprilia White 2008 (s.t.860844)[a.wh], Iris Cyan 2008 (s.t.860846)[iris]
19	860868	Sticker LH Compay	1	year: 2008[8] Color:Aprilia Black 2008 (s.t.860599)[black]
19	860870	Sticker LH Compay	1	year: 2008[8] Color:Aprilia White 2008 (s.t.860844)[a.wh], Iris Cyan 2008 (s.t.860846)[iris]

Assembly	FRAME
Code	28.14
Description	Rear body III
Revision	1



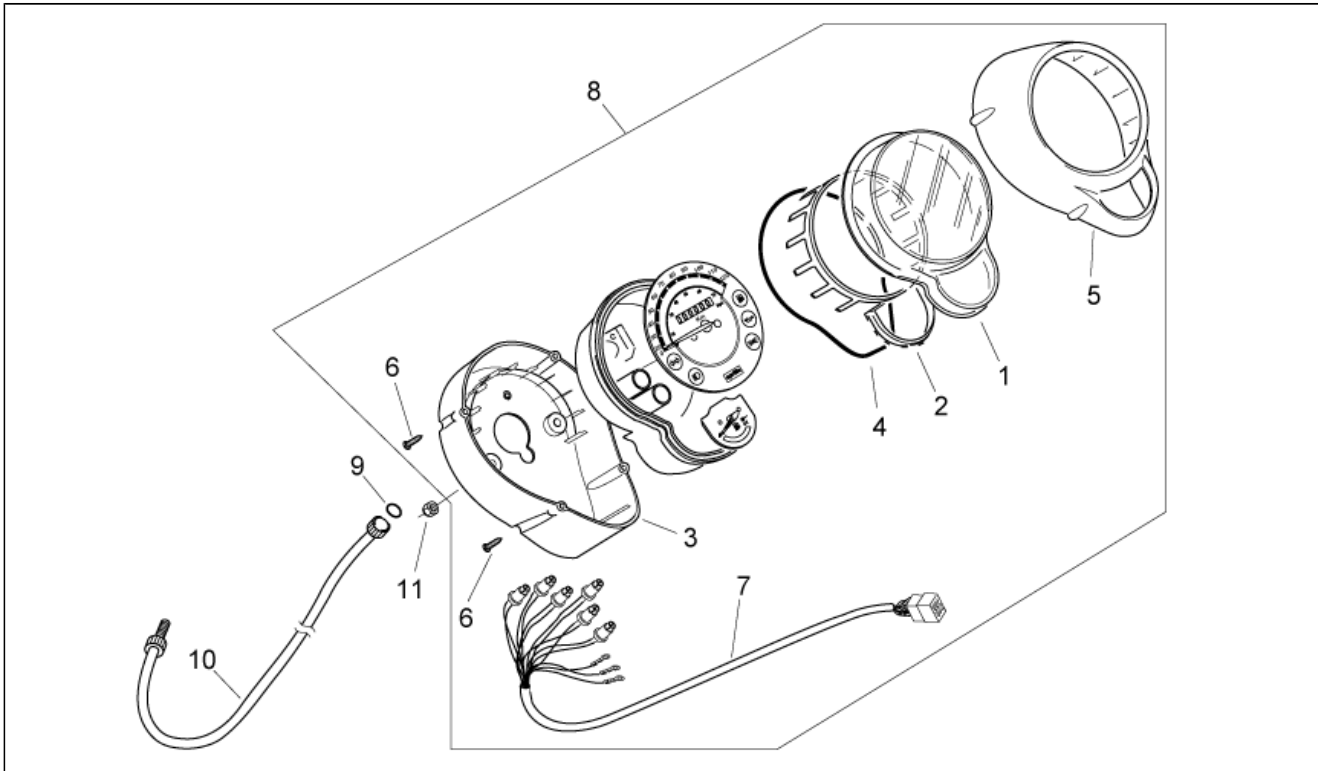
Pos.	Code	Description	Q.ty	Variants
1	AP8124718	Rear reflector, red	1	
2	AP8150011	Washer 4,3x12x1*	2	
3	AP8150204	Nut M4	5	
4	AP8150359	Screw M4X12	6	
5	AP8149413	Rear bumper, a.black	1	Country:Australia[AU], Switzerland[CH]
5	AP8248689	Rear bumper, chr.	1	Country:B-UK-I-NL[EU], E[SP]
6	AP8148014	Rear splash guard, black	1	
7	5765344	Rear mudguard	1	
8	254485	Clip M6	1	
9	AP8221218	Mudguard bush	2	
10	AP8121035	T bush *	1	
11	AP8150171	Hex socket screw M8x40*	1	
12	598839	Screw w/ flange M6x16*	2	
13	AP8249558	Number plate support	1	
14	AP8152043	Hex socket screw M4x10	3	
15	AP8150158	Washer 4,3x9x0,8*	3	
16	AP8152268	Hex socket screw M5x16*	3	
17	AP8152306	Self-locking nut M5*	3	
18	855799	Screw w/ flange M5x25*	1	
19	AP8121736	T bush	1	
20	AP8144064	Heat shield washer	1	
21	AP8150382	Washer 15x5,5X1,2*	3	
22	AP8126747	Number plate holder support	1	Country:Australia[AU], Switzerland[CH]
23	AP8152299	Self-locking nut M6*	3	Country:Australia[AU], Switzerland[CH]
24	AP8121811	T bush	3	Country:Australia[AU], Switzerland[CH]
25	AP8134607	Reflector support	1	Country:Australia[AU], Switzerland[CH]
26	AP8150165	Hex socket screw M6x25*	1	

Assembly	FRAME
Code	28.15
Description	Handlebar
Revision	1



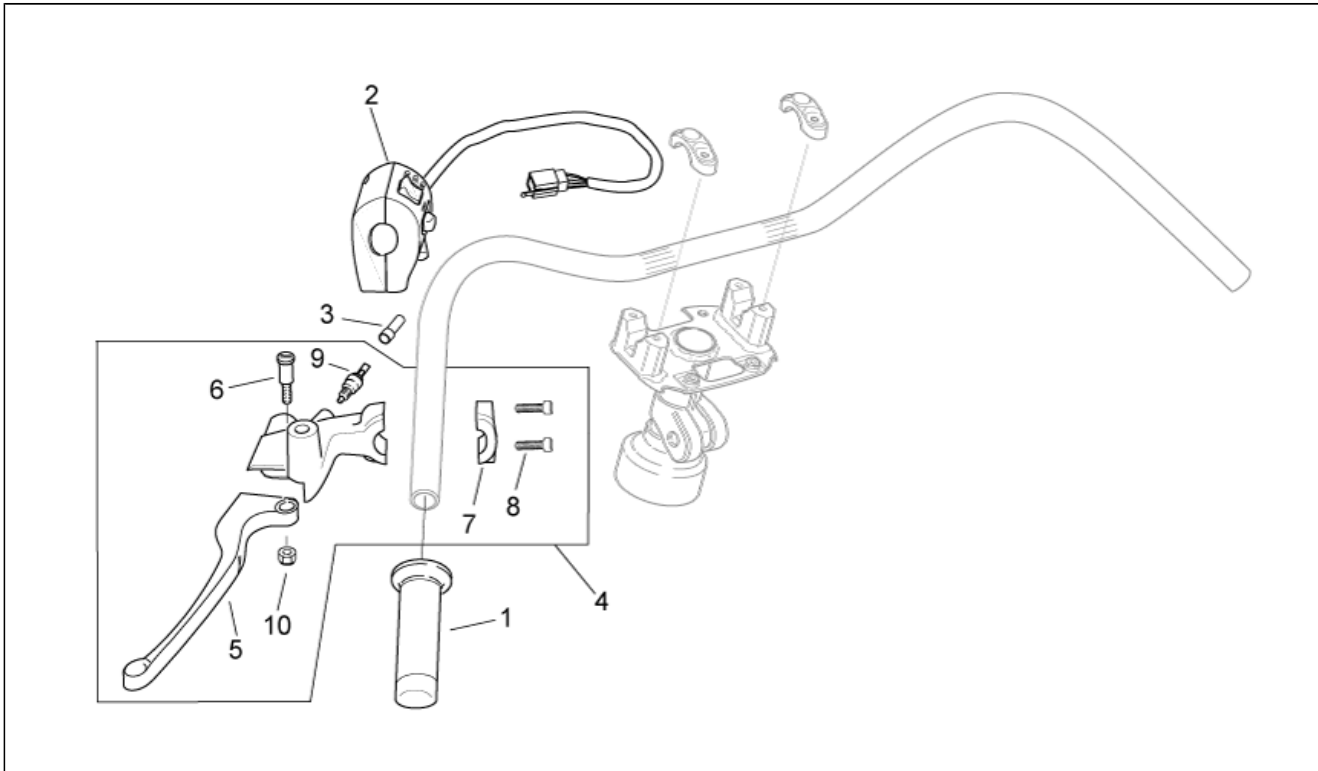
Pos.	Code	Description	Q.ty	Variants
1	AP8218490	Handlebar tube	1	
2	AP8218489	Upper U-bolt	2	
3	AP8218491	Lower support	1	
4	AP8218484	RH lower Handlebar covering	1	
5	AP8218485	LH lower Handlebar covering	1	
6	AP8218486	Handlebar central covering	1	
7	AP8249877	RH upper Handlebar covering	1	
8	AP8249878	LH upper Handlebar covering	1	
9	AP8150286	Hex socket screw M6x35	4	
10	AP8121811	T bush	4	
11	AP8150421	Self-tap screw 2,9x12	8	
12	AP8221213	Captive nut M6	2	
13	AP8203976	O-ring	2	
14	AP8152290	Screw w/ flange M8x40*	1	
15	AP8152300	Self-locking nut M8*	1	
16	AP8150201	Screw M10x55	1	
17	AP8150020	Washer 10,5x21x2*	1	
18	AP8152301	Self-locking nut M10*	1	
19	AP8150020	Washer 10,5x21x2*	2	
20	AP8202170	LH rearview mirror	1	
21	AP8202166	RH rearview mirror	1	
22	AP8234175	Headlight support clamp	1	
23	AP8234174	Dashboard support clamp	1	
24	AP8112599	Rubber spacer *	3	
25	AP8121790	T bush *	3	
26	AP8144296	Mirror rubber	2	

Assembly	FRAME
Code	28.16
Description	Dashboard
Revision	1



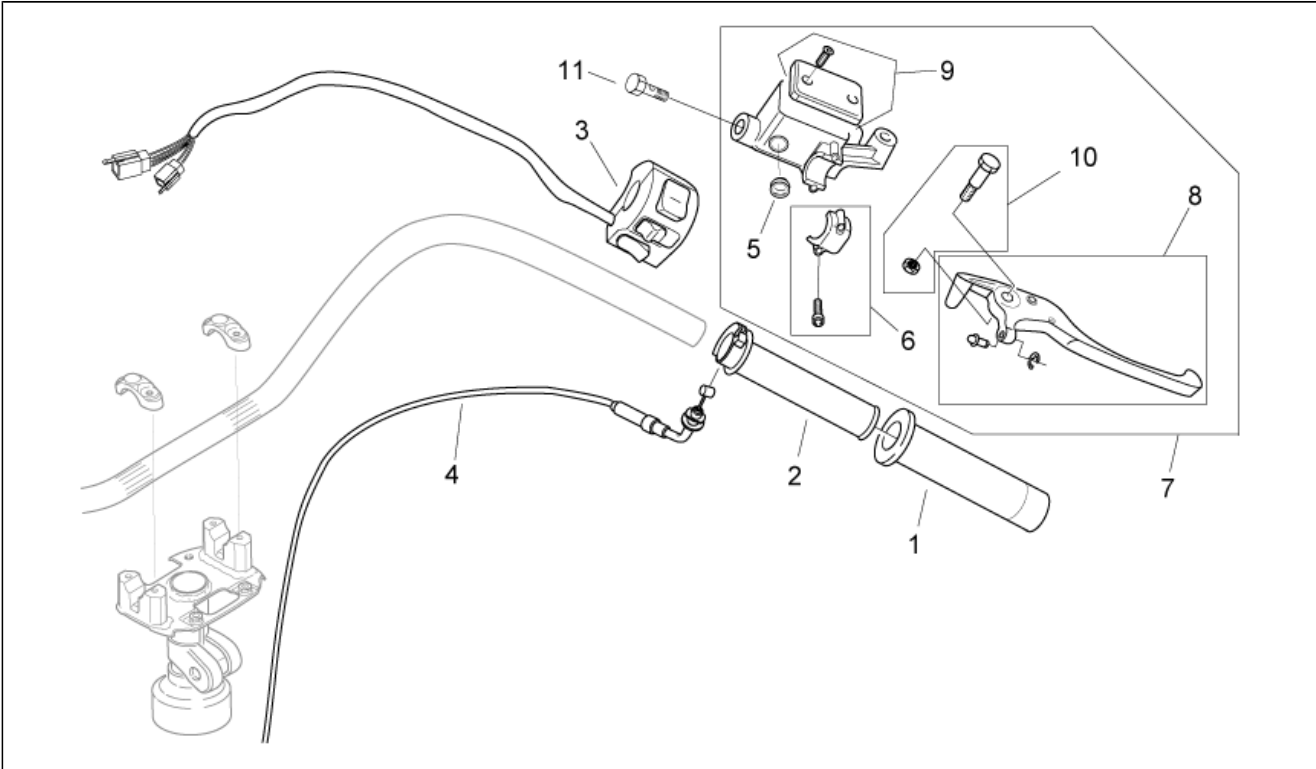
Pos.	Code	Description	Q.ty	Variants
1	AP8224231	Dashboard window	1	
2	AP8224232	Diffuser shield	1	
3	AP8249265	Lower shell	1	
4	AP8220555	Gasket	1	
5	AP8224240	Frame, chrom.	1	
6	AP8224244	Self-tap screw 2,2x16	4	
7	AP8224233	Wiring with lamps	1	
8	AP8224489	Dashboard	1	
9	AP8220177	O-ring 115	1	
10	AP8114472	Odometer cable	1	
11	AP8152299	Self-locking nut M6*	3	

Assembly	FRAME
Code	28.17
Description	LH Controls
Revision	1



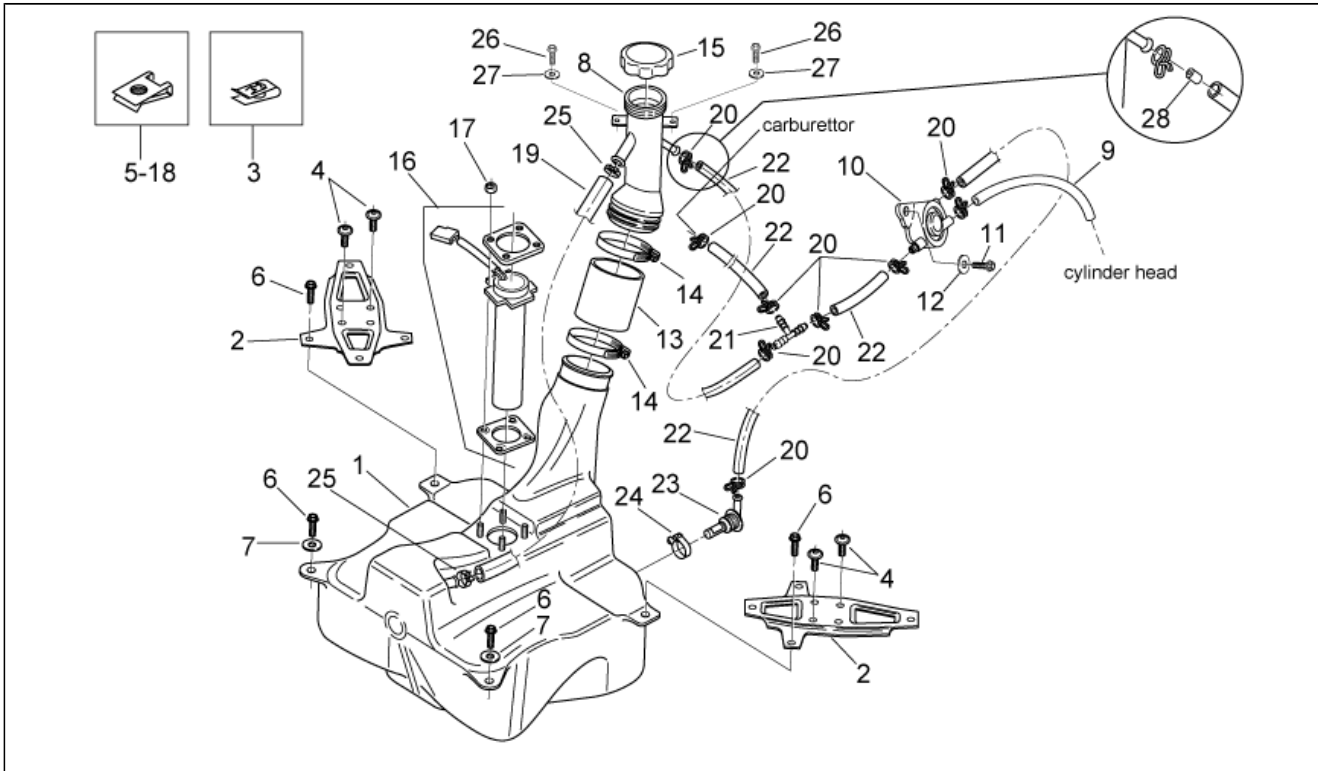
Pos.	Code	Description	Q.ty	Variants
1	AP8118425	Handgrip - pair	1	
2	AP8224090	LH lights sel. w/wiring	1	
3	AP8220135	Rubber spacer *	1	
4	AP8218492	Rear brake lever complete	1	
5	AP8218495	Rear brake lever	1	
6	AP8218497	Brake lever pin	1	
7	AP8218496	U-bolt	1	
8	AP8118376	Screw	1	
9	AP8127305	Brake light switch	1	
10	AP8118490	Nut	1	

Assembly	FRAME
Code	28.18
Description	RH controls
Revision	1



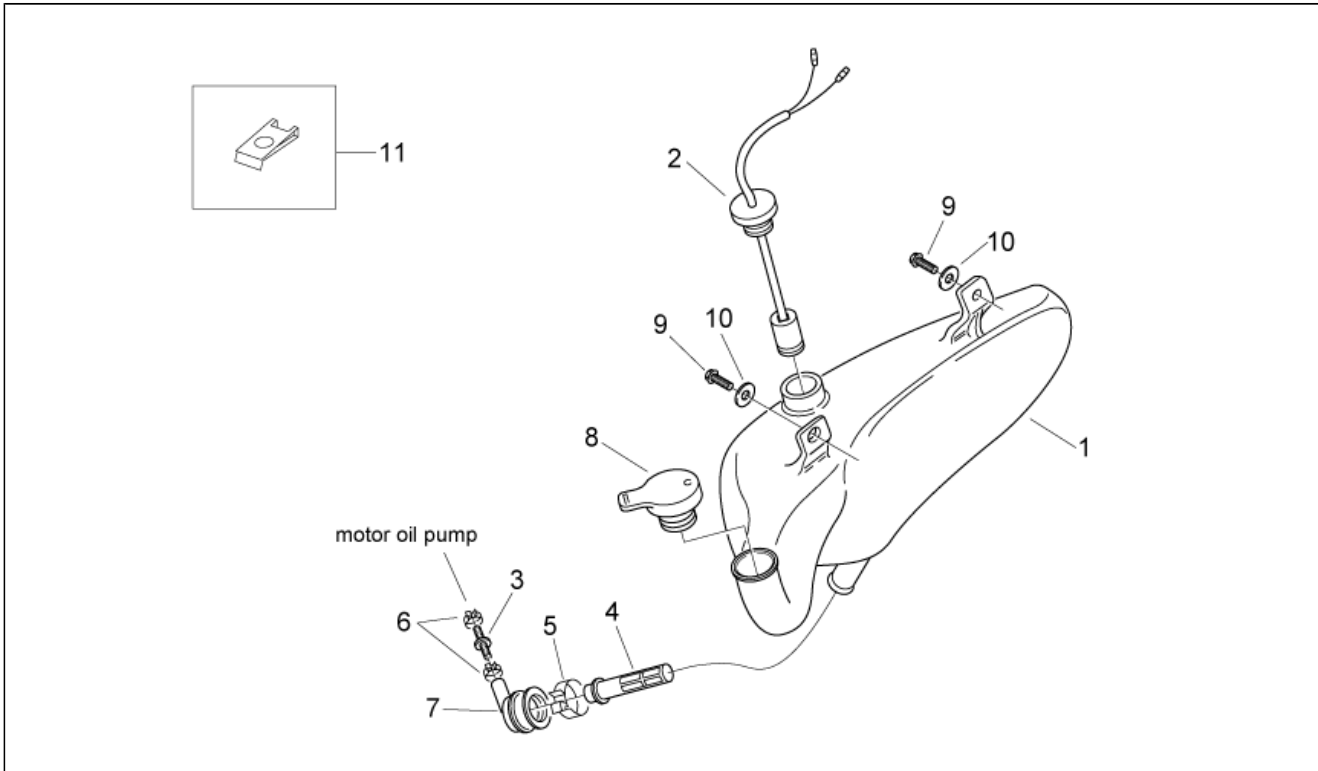
Pos.	Code	Description	Q.ty	Variants
1	AP8118425	Handgrip - pair	1	
2	AP8218494	Throttle w/out hand grip	1	
3	AP8224640	Engine stop-start device	1	
4	AP8268264	Throttle cable	1	
5	AP8113063	Master cyl.level window	1	
6	AP8218481	U-bolt	1	
7	AP8213425	Front master cilinder d13	1	
8	AP8218479	Front brake lever	1	
9	AP8220552	Oil tank plug	1	
10	AP8218482	Lever pin cpl.	1	
11	AP8113003	Oil pipe screw *	1	

Assembly	FRAME
Code	28.19
Description	Fuel tank
Revision	1



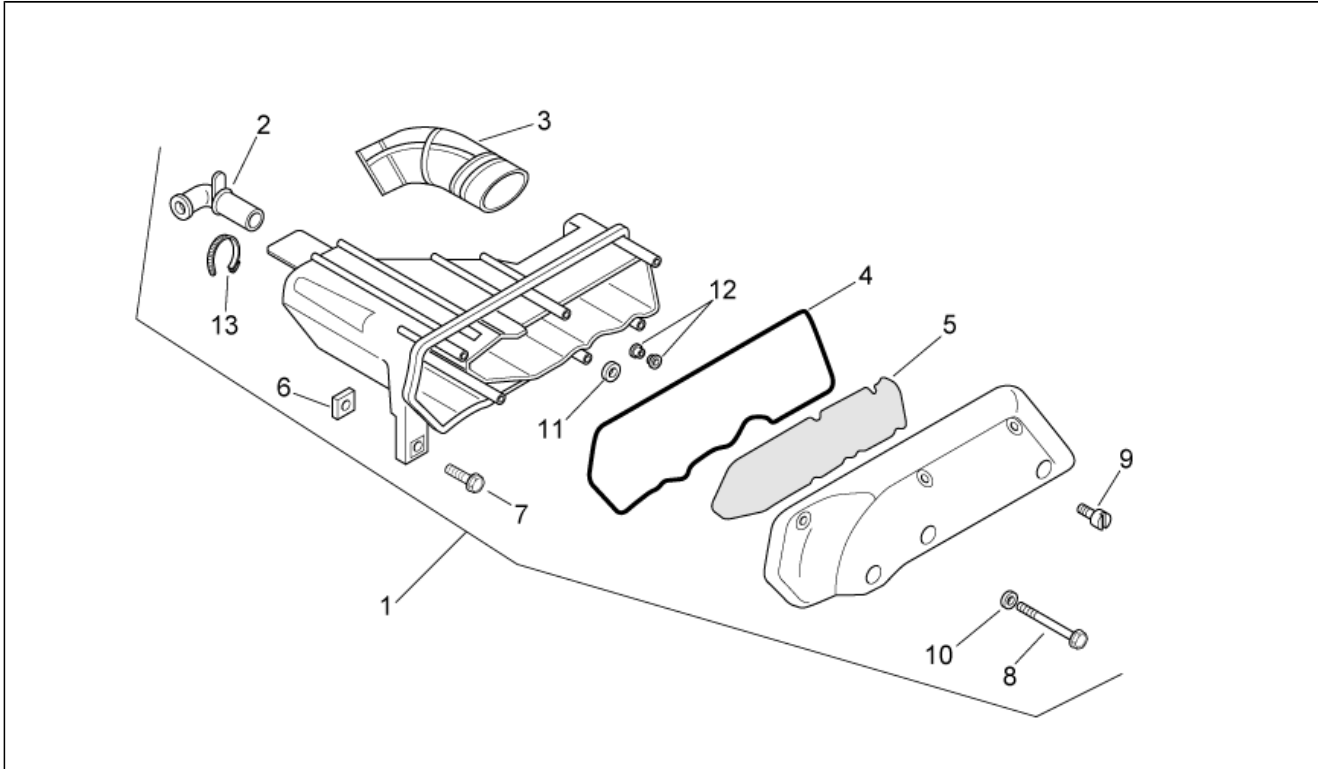
Pos.	Code	Description	Q.ty	Variants
1	AP8248153	Fuel tank	1	
2	AP8234156	Floor panel support	2	
3	AP8201763	Screw clip D5,5*	2	
4	AP8152246	Screw w/ flange M6x16*	4	
5	254485	Clip M6	4	
6	598839	Screw w/ flange M6x16*	4	
7	AP8150015	Washer 6,6x18x1,6*	2	
8	AP8248985	Unleaded fuel filler cap	1	
9	890505	Fuel pipe 5,5x10	1	
10	CM120901	Fuel pump	1	
11	AP8152279	Screw w/ flange M6x20	2	
12	AP8150015	Washer 6,6x18x1,6*	2	
13	AP8220568	Fuel hose	1	
14	AP8102401	Hose clamp D50-70x8*	2	
15	AP8201757	Fuel filler cap	1	
16	AP8224079	Fuel level sensor	1	
17	AP8150204	Nut M4	4	
18	AP8102375	Clip M5	2	
19	AP8120956	Breather pipe	1	
20	AP8101595	Hose clamp D10,1*	10	
21	AP8144303	3-way union	1	
22	AP8120952	Fuel pipe 5,5x10	1	
23	AP8104071	Union cpl.	1	
24	577557	Hose clamp	1	
25	AP8101586	Hose clip D.15,5x6,6	2	
26	855799	Screw w/ flange M5x25*	2	
27	AP8150013	Washer 5,5x15x1,6*	2	
28	574408	Flow regulator	1	

Assembly	FRAME
Code	28.20
Description	Oil tank
Revision	1



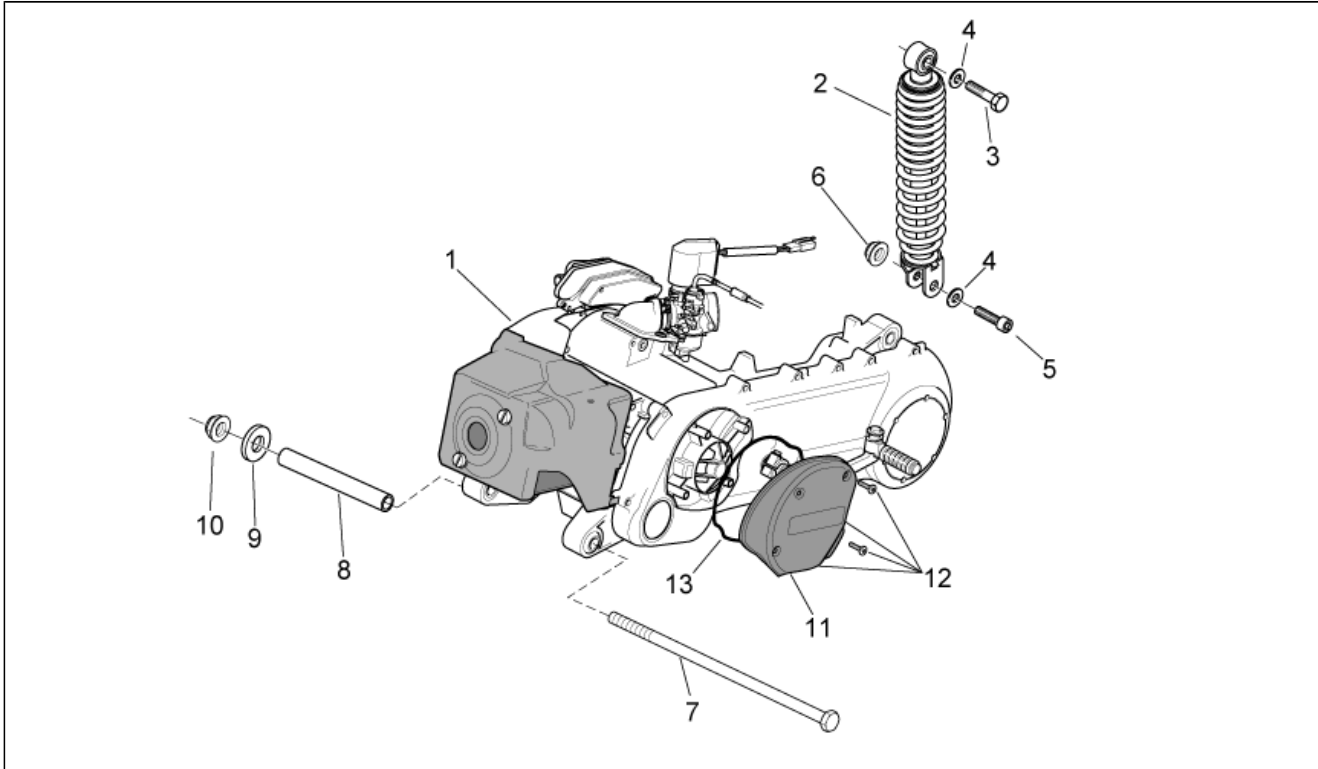
Pos.	Code	Description	Q.ty	Variants
1	AP8248157	Oil tank	1	
2	AP8224080	Oil reserve indicator	1	
3	AP8101944	2-way union	1	
4	AP8102224	Mixer oil filter	1	
5	AP8101743	Hose clip D23,5x8*	1	
6	AP8101770	Hose clip D8x5,5*	2	
7	AP8220503	Fuel tank cap	1	
8	AP8220421	Oil filler cap	1	
9	AP8152273	Screw w/ flange M5x16	2	
10	AP8150013	Washer 5,5x15x1,6*	2	
11	AP8102375	Clip M5	1	

Assembly	FRAME
Code	28.21
Description	Air box
Revision	1



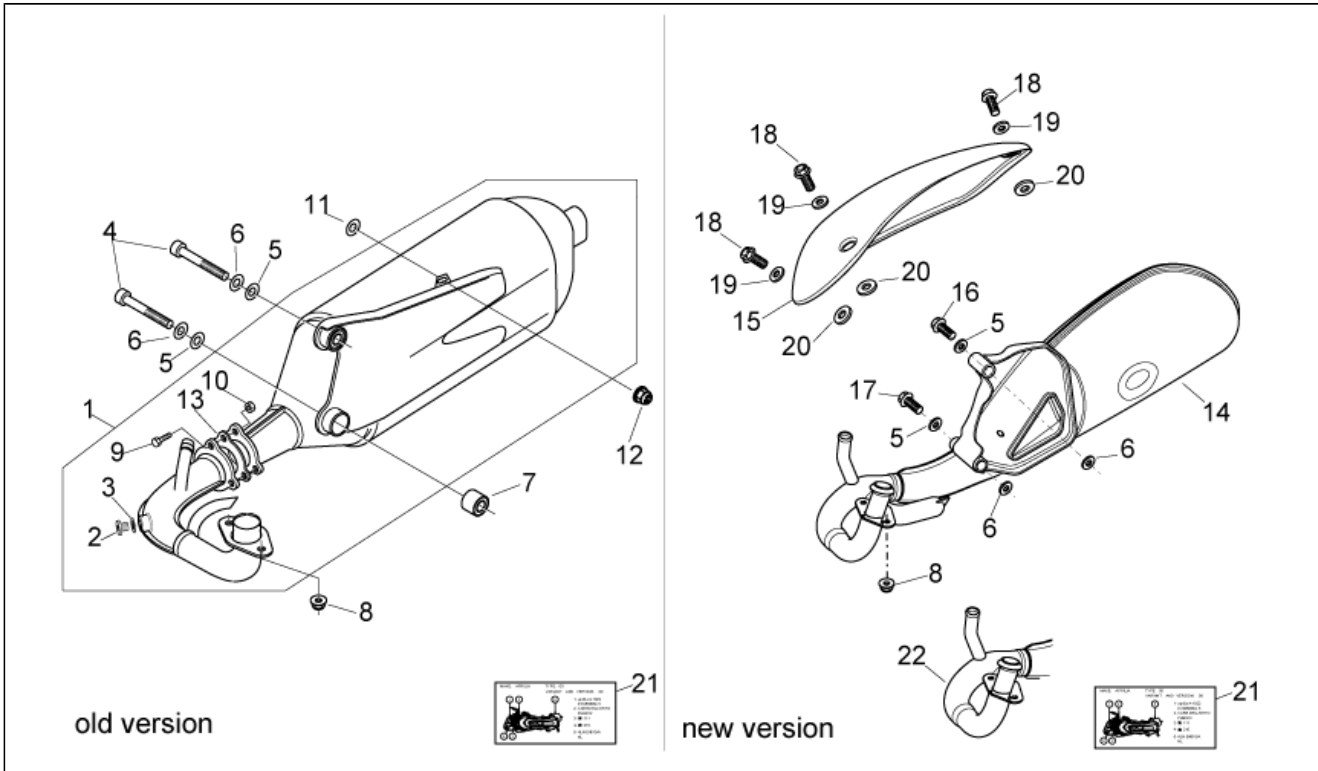
Pos.	Code	Description	Q.ty	Variants
1	832175	Air box cpl.	1	
2	829715	Intake hose	1	
3	487592	Carburettor-air box hose	1	
4	487718	Gasket	1	
5	487719	Air filter	1	
6	254485	Clip M6	1	
7	598839	Screw w/ flange M6x16*	1	
8	AP8152284	Screw w/ flange M6x45*	1	
9	258146	Self-tap screw m3x20	6	
10	003056	Washer 6,4x12x1	1	
11	012533	Washer 6,6x11x0	1	
12	AP8540178	Bush	2	
13	AP8220104	Hose clamp D25-45x8*	1	

Assembly	FRAME
Code	28.22
Description	Engine - Rear shock absorber
Revision	1



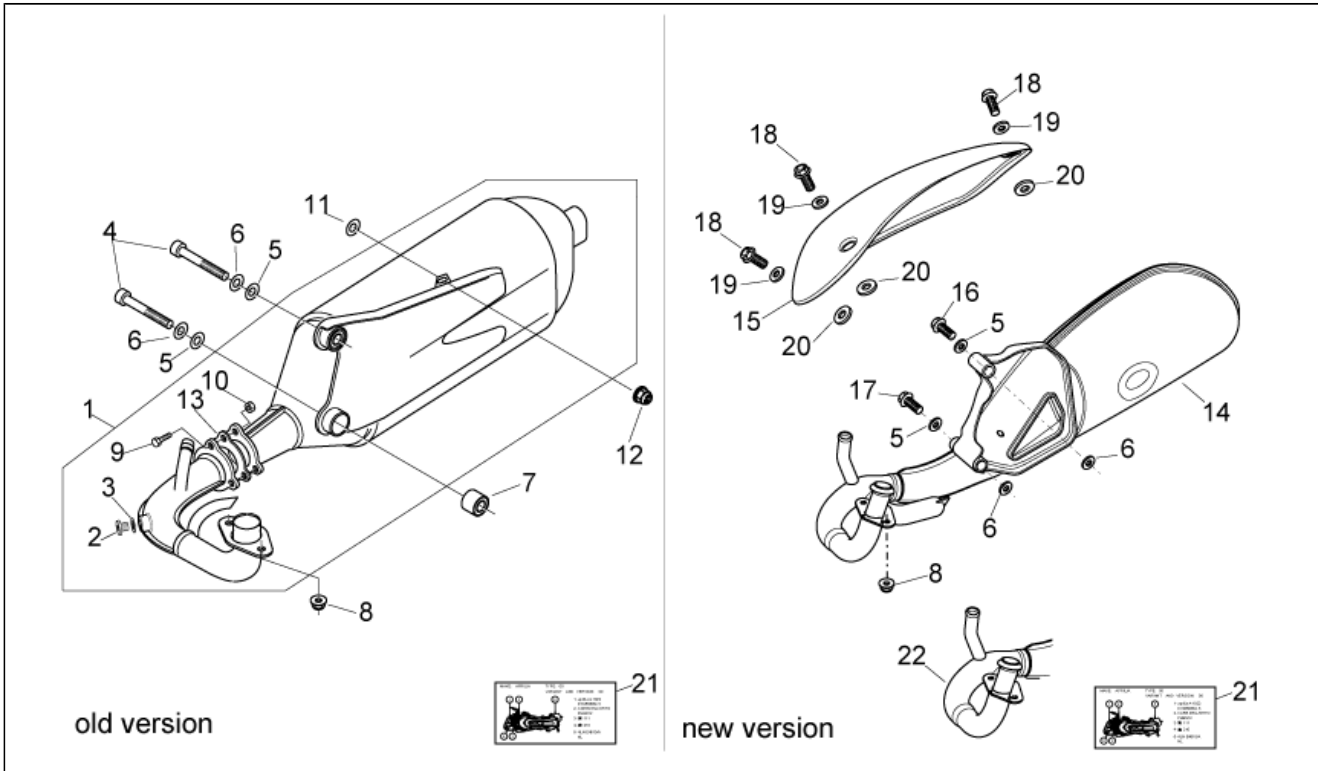
Pos.	Code	Description	Q.ty	Variants
1	8738545	Engine	1	Technical Specifications: Limited version 25Km/h[25km]
1	CM1461015	Engine	1	Technical Specifications: Limited version 45 Km/h[45km]
2	AP8223102	Shock absorber	1	
3	AP8150227	Screw M10x45*	1	
4	AP8150020	Washer 10,5x21x2*	2	
5	AP8150086	Hex socket screw M10X55	1	
6	AP8152301	Self-locking nut M10*	1	
7	AP8150412	Screw m10x205	1	
8	AP8221347	Engine pivot pin bush	1	
9	AP8152176	Washer 10,5X18X2*	1	
10	AP8152301	Self-locking nut M10*	1	
11	830821	Cooling Cover	1	
12	AP8150515	Self-tapping screw M5	4	
13	482432	Antidust gasket	1	

Assembly	FRAME
Code	28.23
Description	Exhaust pipe
Revision	1



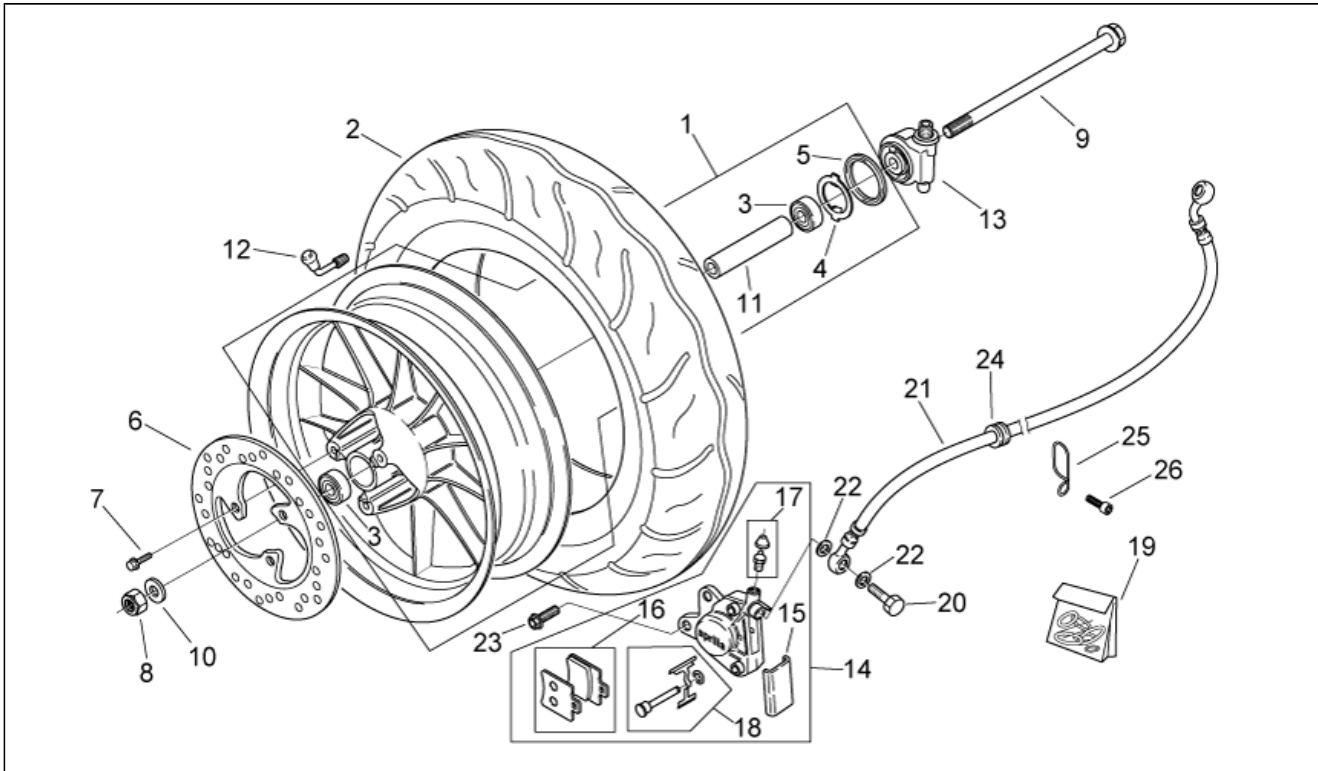
Pos.	Code	Description	Q.ty	Variants
1	856196	Cat.exhaust pipe	1	Technical Specifications: Limited version 25Km/h[25km]
1	AP8219613	Cat.exhaust pipe	1	Technical Specifications: Limited version 45 Km/h[45km], Old version[old]
2	AP8119497	CO intake screw	1	Technical Specifications: Limited version 45 Km/h[45km], Old version[old]
3	AP8113004	Washer 10x14x1,6*	1	Technical Specifications: Limited version 45 Km/h[45km], Old version[old]
4	AP8150087	Hex socket screw M8x80*	2	Technical Specifications: Limited version 45 Km/h[45km], Old version[old]
5	AP8150017	Washer 8,4x16x1,6*	2	
6	AP8150376	Washer 8,5x15x0,8	2	
7	AP8220357	Silent block, exhaust pipe	1	Technical Specifications: Limited version 45 Km/h[45km], Old version[old]
8	AP8150333	Serpress nut M6*	2	
9	AP8119588	Hex screw M6x20	3	Technical Specifications: Limited version 45 Km/h[45km], Old version[old]
10	AP8225368	Nut M6	3	Technical Specifications: Limited version 45 Km/h[45km], Old version[old]
11	AP8144064	Heat shield washer	1	Technical Specifications: Limited version 45 Km/h[45km], Old version[old]
12	AP8152306	Self-locking nut M5*	1	Technical Specifications: Limited version 45 Km/h[45km], Old version[old]
13	AP8219321	Exhaust pipe flange gasket	1	Technical Specifications: Limited version 45 Km/h[45km], Old version[old]
14	890224	Cat.exhaust pipe	1	Country: Australia[AU], B-UK-I-NL[EU], E[SP] Technical Specifications: Limited version 45 Km/h[45km], New version[new]
14	890374	Cat.exhaust pipe	1	Country: Switzerland[CH] Technical Specifications: Limited version 45 Km/h[45km], New version[new]
15	860567	Exhaust pipe protection	1	Technical Specifications: Limited version 45 Km/h[45km], New version[new]

Assembly	FRAME
Code	28.23
Description	Exhaust pipe
Revision	1



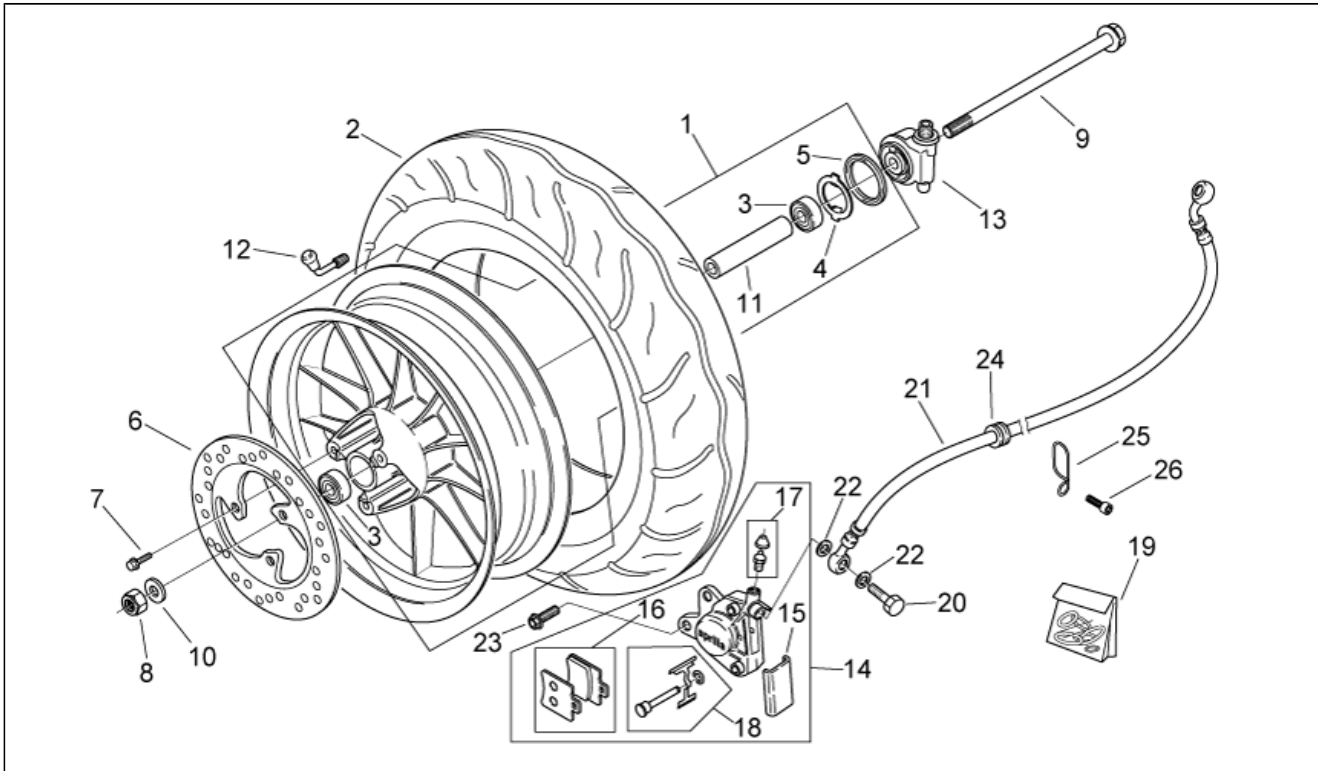
Pos.	Code	Description	Q.ty	Variants
16	AP8152073	Hex socket screw M8x70*	1	Technical Specifications: Limited version 45 Km/h[45km], New version[new]
17	AP8150388	Hex socket screw M8x100*	1	Technical Specifications: Limited version 45 Km/h[45km], New version[new]
18	AP8150538	Hex socket screw M5x10*	3	Technical Specifications: Limited version 45 Km/h[45km], New version[new]
19	AP8150382	Washer 15x5,5x1,2*	3	Technical Specifications: Limited version 45 Km/h[45km], New version[new]
20	841782	Insulating washer	3	Technical Specifications: Limited version 45 Km/h[45km], New version[new]
21	890738	Tamperproof dataplate	1	Technical Specifications: New version[new]
21	AP8277292	Tamperproof dataplate	1	Technical Specifications: Old version[old]
22	890429	Manifold	1	Country: Switzerland[CH] Technical Specifications: Limited version 45 Km/h[45km], Switzerland Version E3[kit], New version[new]

Assembly	FRAME
Code	28.24
Description	Front wheel
Revision	1



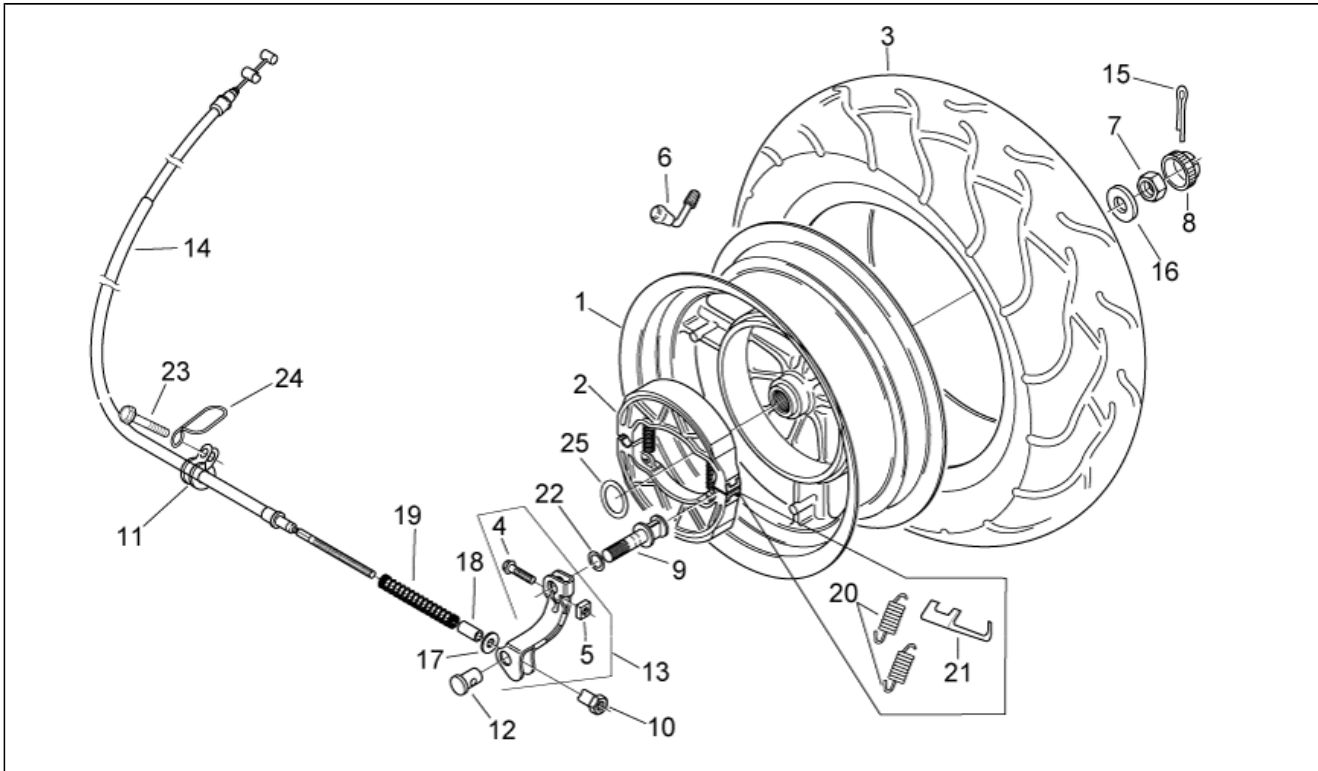
Pos.	Code	Description	Q.ty	Variants
1	AP8208601	Front wheel	1	
2	AP8209147	Front/rear tyre 120/70-12"	1	
3	AP8225123	Bearing	2	
4	AP8120865	Drive key	1	
5	AP8125743	Gasket ring D40x50x4	1	
6	AP8213231	Brake disc D190	1	
7	AP8225358	Hex socket screw M8x25	3	
8	AP8150373	Low self-locking nut M12x1,25	1	
9	AP8225356	Front wheel spindle	1	
10	AP8152018	Washer 12,2x22x2	1	
11	AP8225357	Front wheel spacer	1	
12	AP8201679	Tubeless tyre valve	1	
13	AP8202141	Odometer gear	1	
14	AP8213441	Front brake caliper	1	Technical Specifications:Grimeca sign[gr]
14	AP8213551	Front brake caliper	1	Technical Specifications:Heng Tong Sign[ht]
15	AP8213224	Brake caliper cover	1	Technical Specifications:Grimeca sign[gr]
15	AP8213592	Brake caliper cover	1	Technical Specifications:Heng Tong Sign[ht]
16	AP8113644	Pads pair	1	Technical Specifications:Grimeca sign[gr]
16	AP8113644	Pads pair	1	Technical Specifications:Heng Tong Sign[ht]
17	AP8113321	Bleeder+cap	1	Technical Specifications:Grimeca sign[gr]
18	AP8213227	Pin+Brake spring	1	Technical Specifications:Grimeca sign[gr]
18	AP8213591	Pin+Brake spring	1	Technical Specifications:Heng Tong Sign[ht]
19	AP8213457	Brake caliper rev. kit	1	Technical Specifications:Grimeca sign[gr]
19	AP8213579	Brake caliper rev. kit	1	Technical Specifications:Heng Tong Sign[ht]
20	AP8113003	Oil pipe screw *	1	
21	AP8213426	Front brake hose	1	
22	AP8113004	Washer 10x14x1,6*	2	
23	AP8152287	Screw w/ flange M8x25*	2	

Assembly	FRAME
Code	28.24
Description	Front wheel
Revision	1



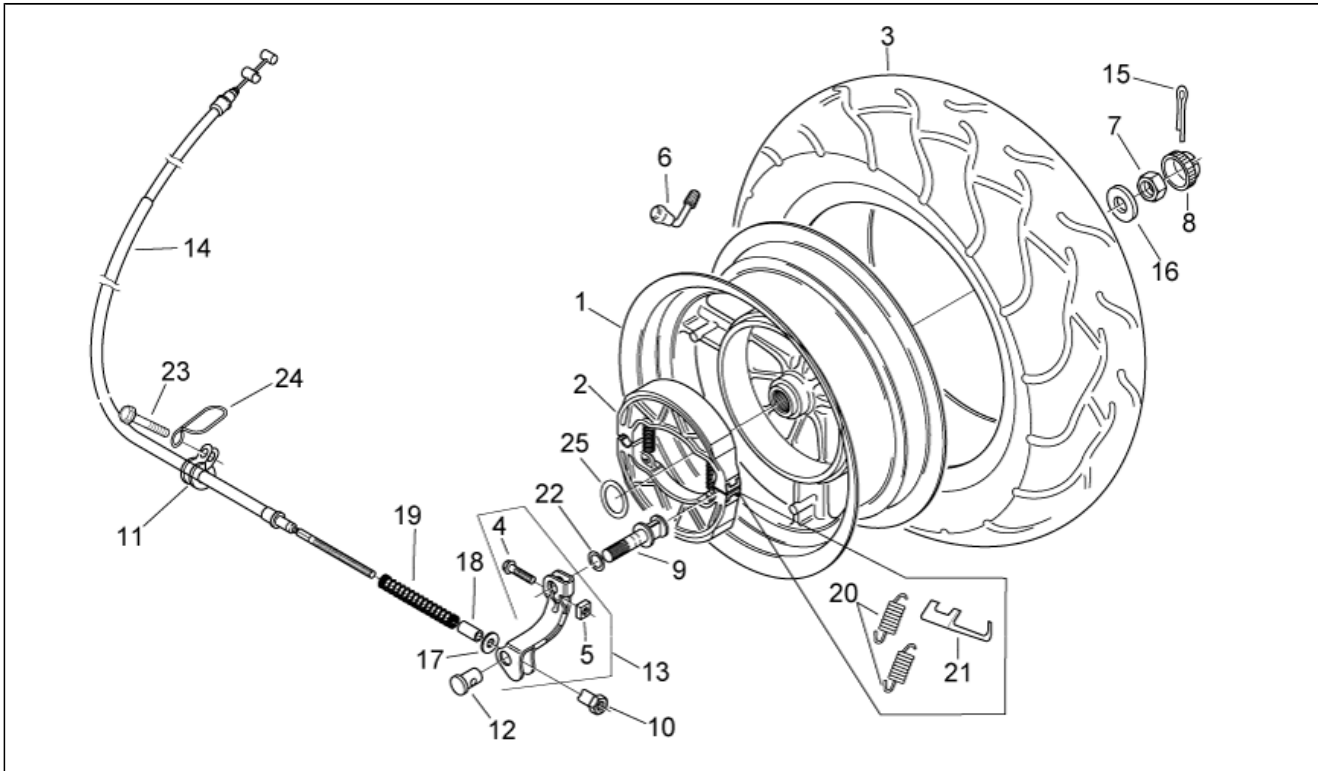
Pos.	Code	Description	Q.ty	Variants
24	AP8120030	Rubber spacer *	1	
25	AP8121889	Cable-guide	1	
26	AP8152043	Hex socket screw M4x10	1	

Assembly	FRAME
Code	28.25
Description	Rear wheel
Revision	1



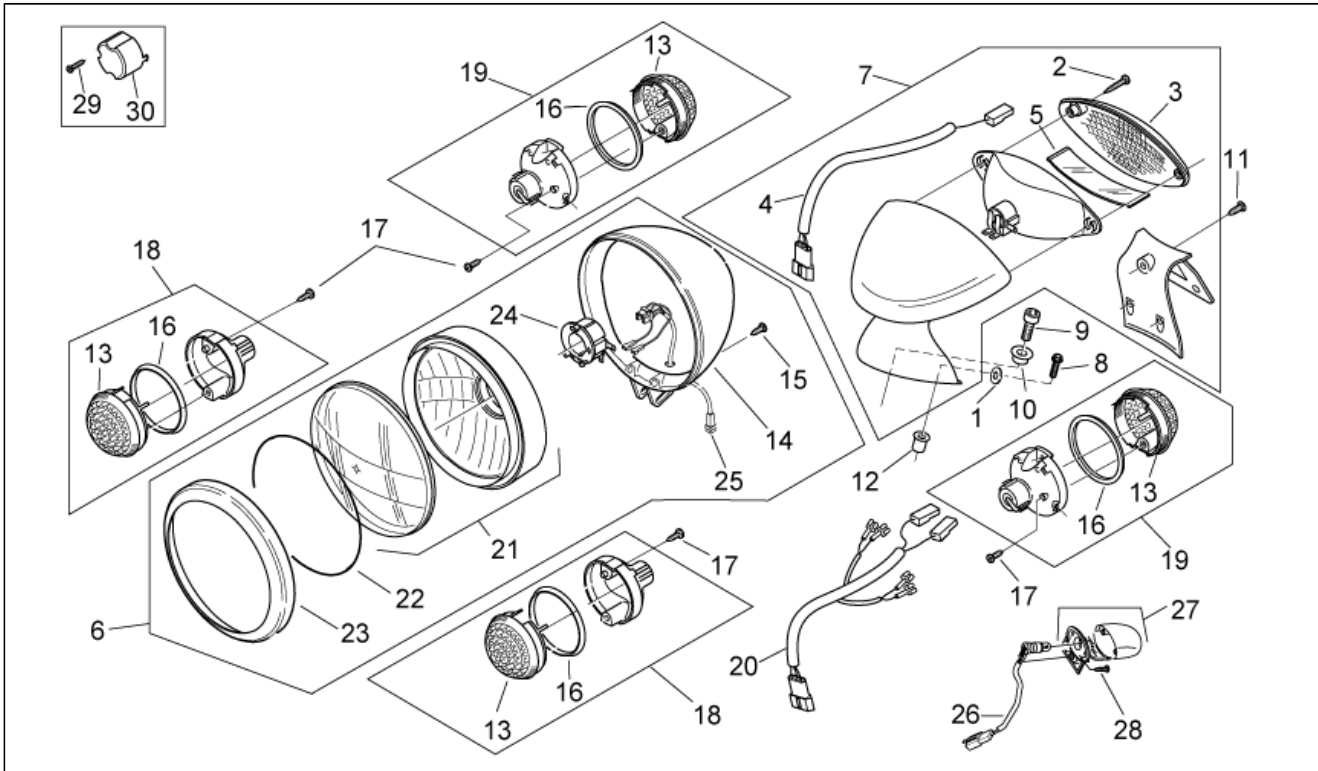
Pos.	Code	Description	Q.ty	Variants
1	AP8208929	Rear wheel	1	year:2005[5]
1	AP8208929	Rear wheel	1	year:2004[4]
1	AP8208929	Rear wheel	1	year:2005[5]
1	AP8208929	Rear wheel	1	year:2007[7], 2008[8]
1	AP8208929	Rear wheel	1	year:2004[4]
2	82907R	Brake shoes	1	
3	AP8209148	Rear tyre 130/70-10"	1	
4	828863	Screw w/ flange	1	
5	828862	Square nut	1	
6	AP8201679	Tubeless tyre valve	1	
7	563728	Nut M16x13	1	
8	194423	Cap	1	
9	274245	Rear brake cam	1	
10	AP8101103	Rear brake lever register	1	
11	AP8104451	Cable-guide	1	
12	AP8221120	Brake cable retainer	1	
13	833428	Rear brake lever	1	
14	AP8214234	Rear brake cable	1	
15	012789	Split pin	1	
16	159347	Ring	1	
17	AP8150015	Washer 6,6x18x1,6*	1	
18	AP8121020	Spacer 6,5x10x19*	1	
19	AP8213137	Coil compress. spring *	1	
20	647384	Brake shoes return spring	2	
21	266724	Plate	1	
22	273419	Gasket ring	1	
23	AP8152282	Screw w/ flange M6x35	1	
24	AP8121889	Cable-guide	1	

Assembly	FRAME
Code	28.25
Description	Rear wheel
Revision	1



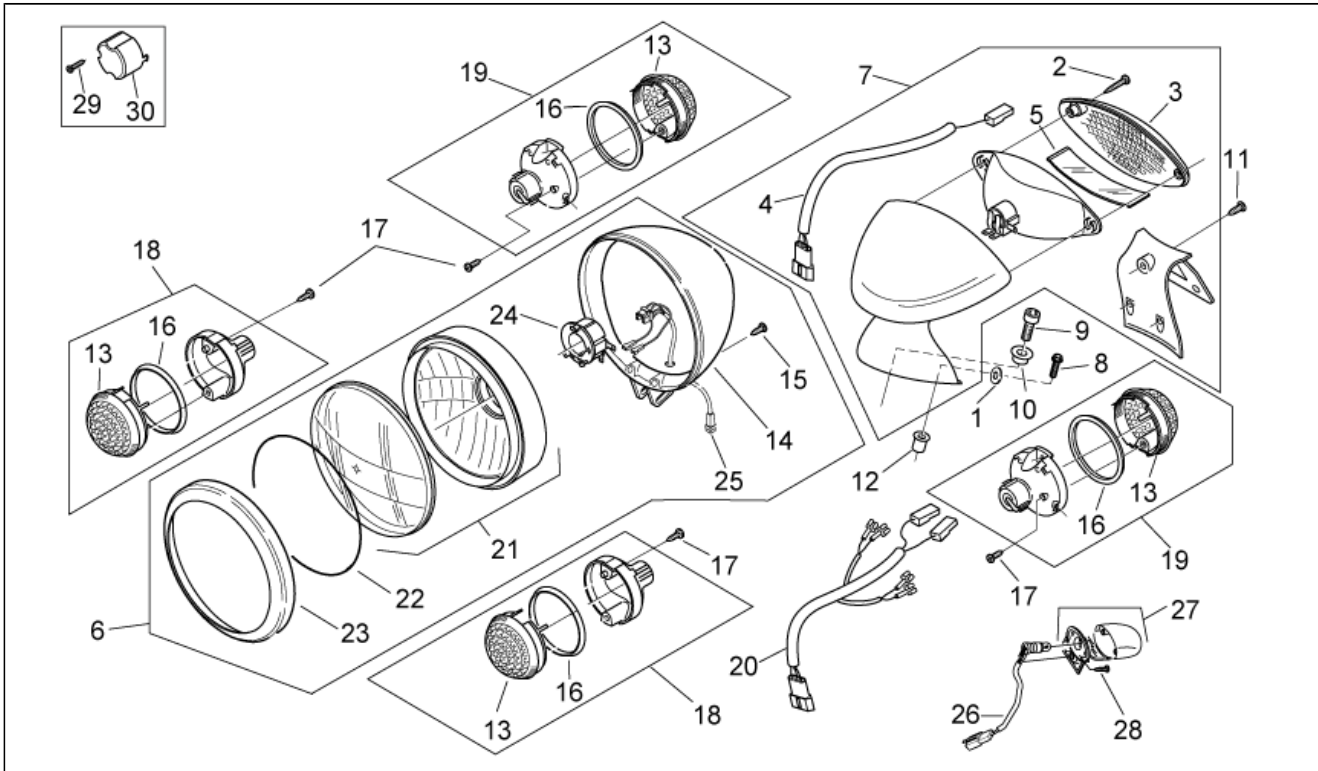
Pos.	Code	Description	Q.ty	Variants
25	AP8125687	Wheel pin washer	1	

Assembly	FRAME
Code	28.26
Description	Lights
Revision	1



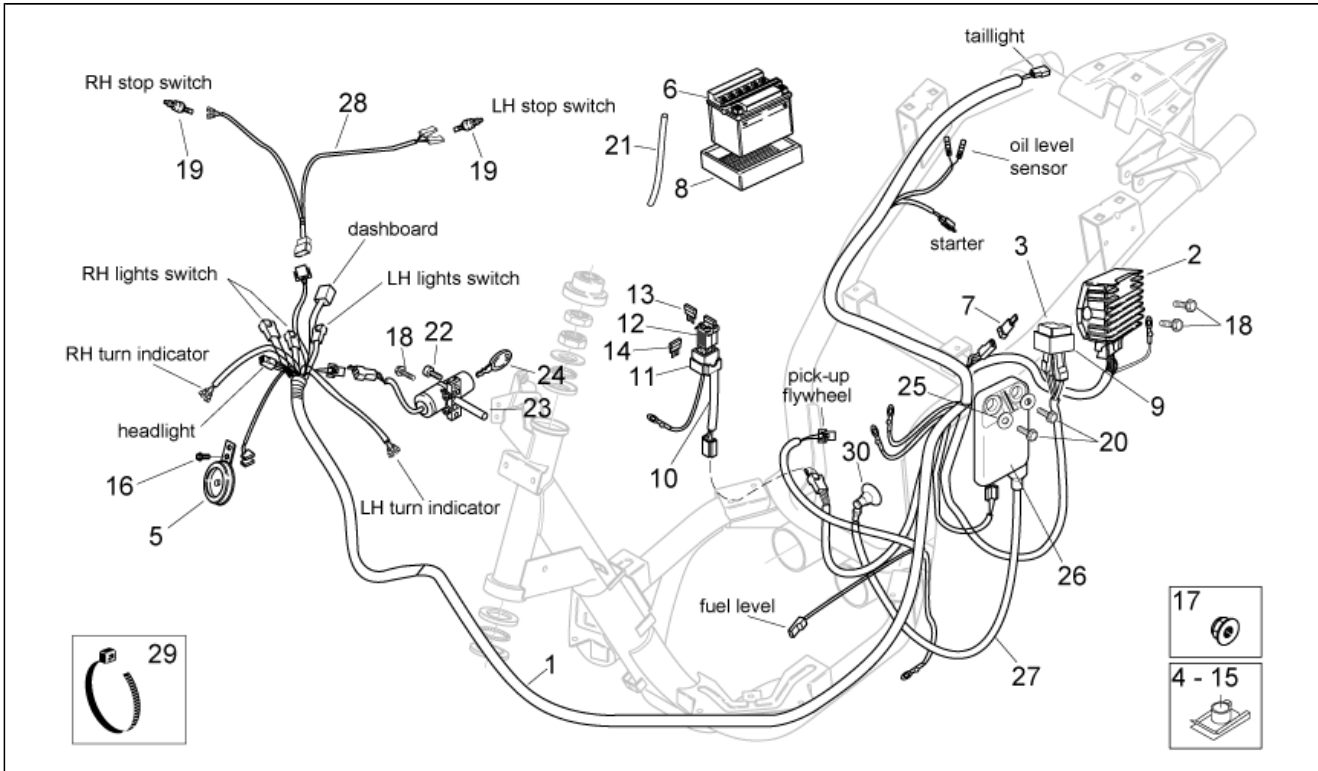
Pos.	Code	Description	Q.ty	Variants
1	AP8150013	Washer 5,5x15x1,6*	2	
2	AP8224243	Self-tap screw 3,9x25	2	
3	AP8224229	Taillight lens	1	
4	AP8224227	Taillight wiring harn.	1	
5	AP8224228	N.plate light window	1	
6	AP8224089	Headlight	1	Country:Australia[AU], B-UK-I-NL[EU], E[SP]
6	AP8224532	Headlight	1	Country:Switzerland[CH]
7	AP8224177	Taillight, chr.	1	
8	AP8152273	Screw w/ flange M5x16	2	
9	AP8150044	Hex socket screw M6x20*	1	
10	AP8121728	T bush *	1	
11	AP8150413	Self-tap screw 3,9x14	3	
12	AP8120531	Rubber w/ insert *	2	
13	AP8224222	Turn indicator lens	4	year:2008[8]
13	AP8224223	Turn indicator lens	4	year:2004[4], 2005[5], 2007[7]
14	AP8224237	Cap	1	
15	AP8224242	Self-tap screw 3,9x16	2	
16	AP8224234	Chromed ring nut	4	
17	AP8150413	Self-tap screw 3,9x14	8	
18	AP8224066	Front turn indicator	2	year:2008[8]
18	AP8224171	Front turn indicator, orange	2	year:2004[4], 2005[5], 2007[7]
19	AP8224068	Rear turn indicator	2	year:2008[8]
19	AP8224172	Rear turn indicator, orange	2	year:2004[4], 2005[5], 2007[7]
20	AP8127232	Taillight wiring harn.	1	
21	AP8124925	Optical group	1	Country:Switzerland[CH]
21	AP8224224	Optical group	1	Country:Australia[AU], B-UK-I-NL[EU], E[SP]
22	AP8220553	Gasket	1	
23	AP8224236	Chromed ring nut	1	

Assembly	FRAME
Code	28.26
Description	Lights
Revision	1



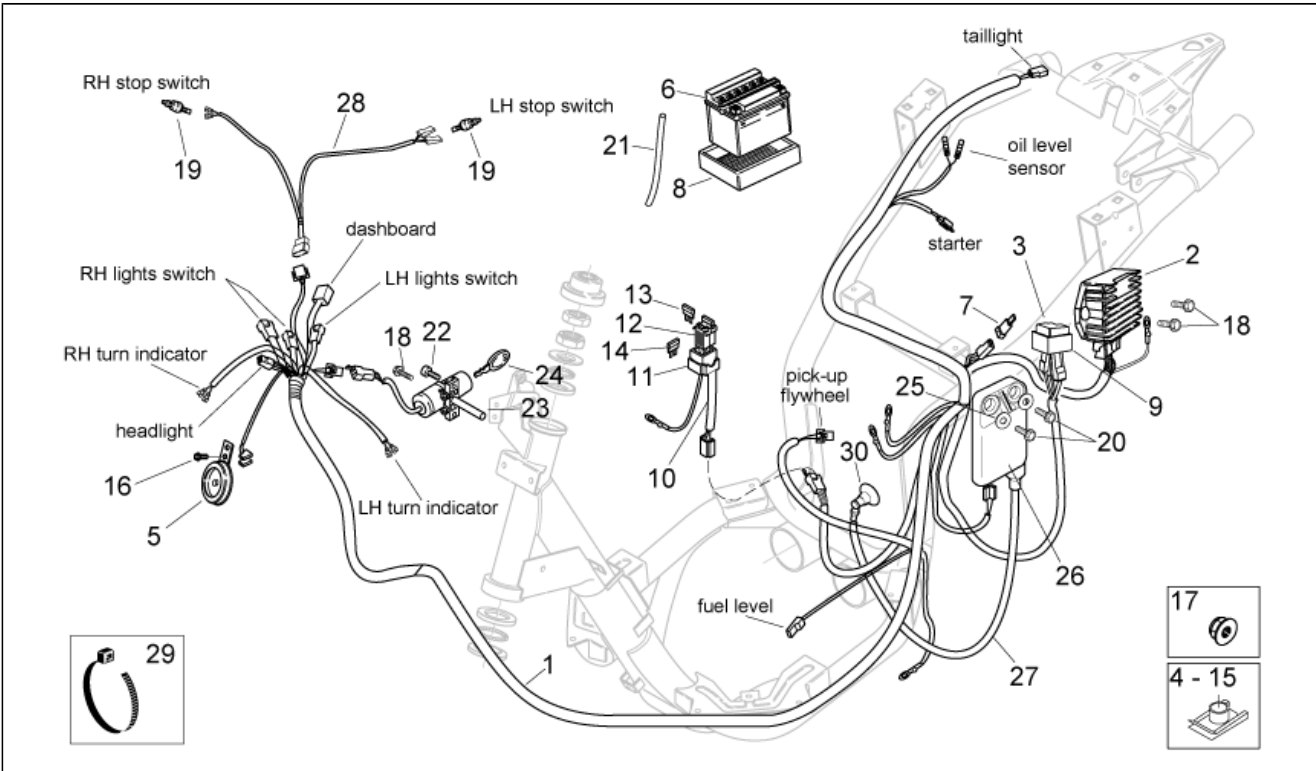
Pos.	Code	Description	Q.ty	Variants
24	AP8224609	Lampholder	1	
25	AP8124923	Headlight wiring w/harness	1	Country:Switzerland[CH]
25	AP8224226	Headlight wiring w/harness	1	Country:Australia[AU], B-UK-I-NL[EU], E[SP]
26	AP8124758	Plate light wiring	1	Country:Australia[AU], Switzerland[CH]
27	AP8124168	Number-plate light	1	Country:Australia[AU], Switzerland[CH]
28	AP8150120	Screw 4,2x22*	1	Country:Australia[AU], Switzerland[CH]
29	AP8224241	Self-tap screw 2,9x19	4	year:2008[8]
30	AP8224235	Internal cup	4	year:2008[8]
31	231215	Lamp	1	

Assembly	FRAME
Code	28.27
Description	Electrical system
Revision	1



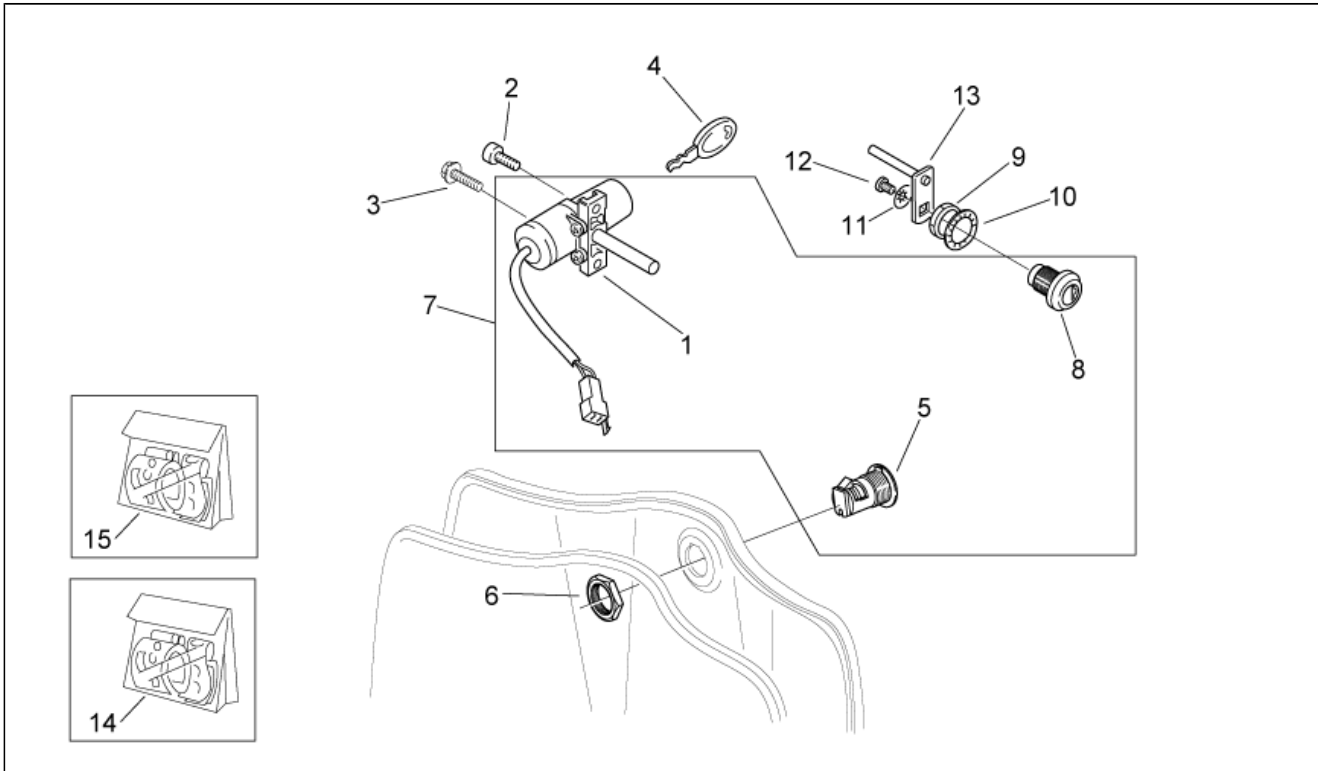
Pos.	Code	Description	Q.ty	Variants
1	AP8224617	Main wiring harness	1	
2	58096R	Voltage regulator	1	
3	58115R	Relay 12V/80A	1	
4	254485	Clip M6	1	
5	AP8224221	Horn	1	
6	234390	Battery 12V-4AH	1	
7	AP8212382	Diode	1	
8	AP8230535	Battery holder	1	
9	AP8220546	Relay rubber	1	
10	AP8224073	Fuse cable	1	
11	AP8112811	Rubber fuse box	1	
12	AP8120754	Rubber fuse box	2	
13	290860	Fuse 15A	2	
14	252945	Fuse 7,5A	1	
15	AP8102375	Clip M5	2	
16	AP8152277	Screw w/ flange M6x12*	1	
17	AP8152299	Self-locking nut M6*	2	
18	AP8152279	Screw w/ flange M6x20	2	
19	AP8224192	Brake light switch w/ rubber	2	
20	855799	Screw w/ flange M5x25*	2	
21	AP8220263	Breather pipe 4x8	1	
22	AP8152140	Shear rivet M6x17	1	
23	AP8124886	Main switch - steering lock	1	
24	AP8104613	"Aprilia" key w/out transpo.	1	
25	AP8150015	Washer 6,6x18x1,6*	2	
26	58095R	Transducer	1	
27	AP8224650	HT wire	1	
28	AP8224205	B.I. switch wiring	1	

Assembly	FRAME
Code	28.27
Description	Electrical system
Revision	1



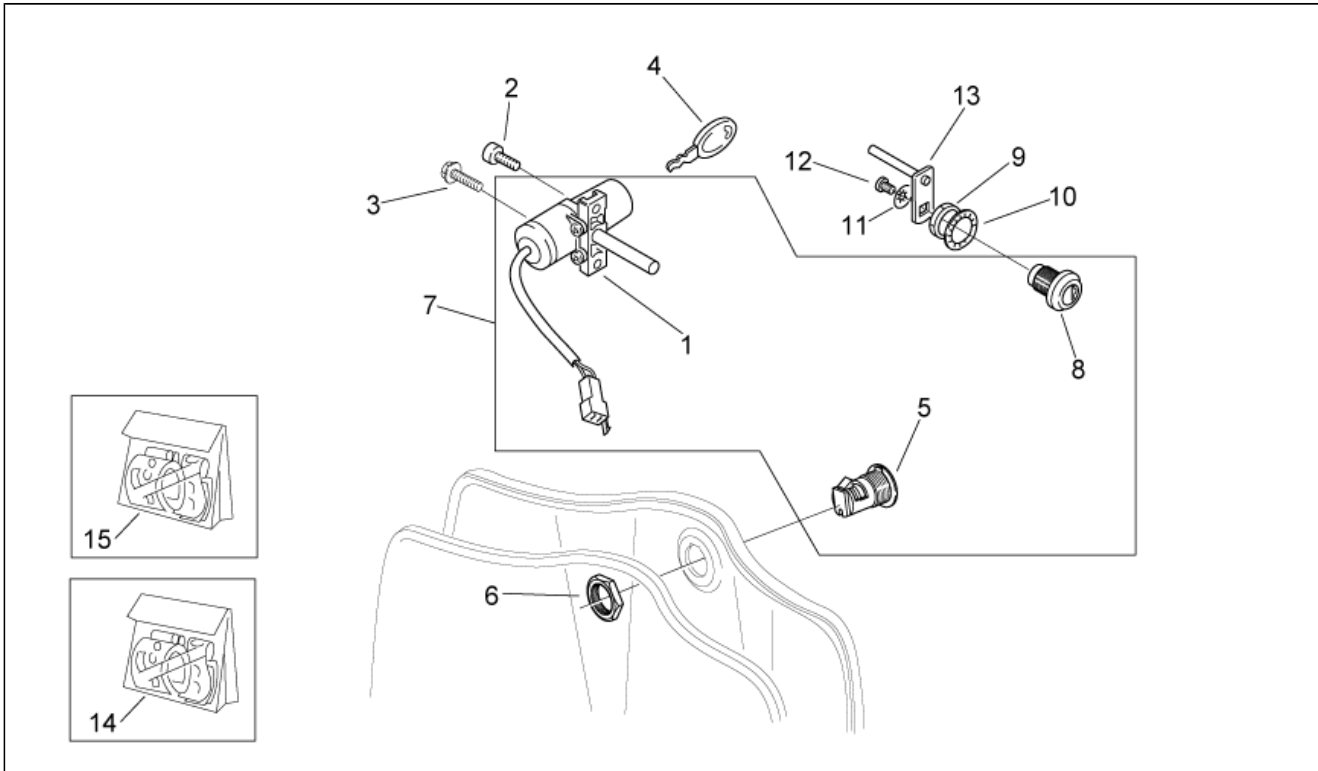
Pos.	Code	Description	Q.ty	Variants
29	AP8120657	Hose clamp *	15	
30	AP8212219	Scr. sparkplug cap	1	

Assembly	FRAME
Code	28.28
Description	Decal and Lock hardware kit
Revision	1



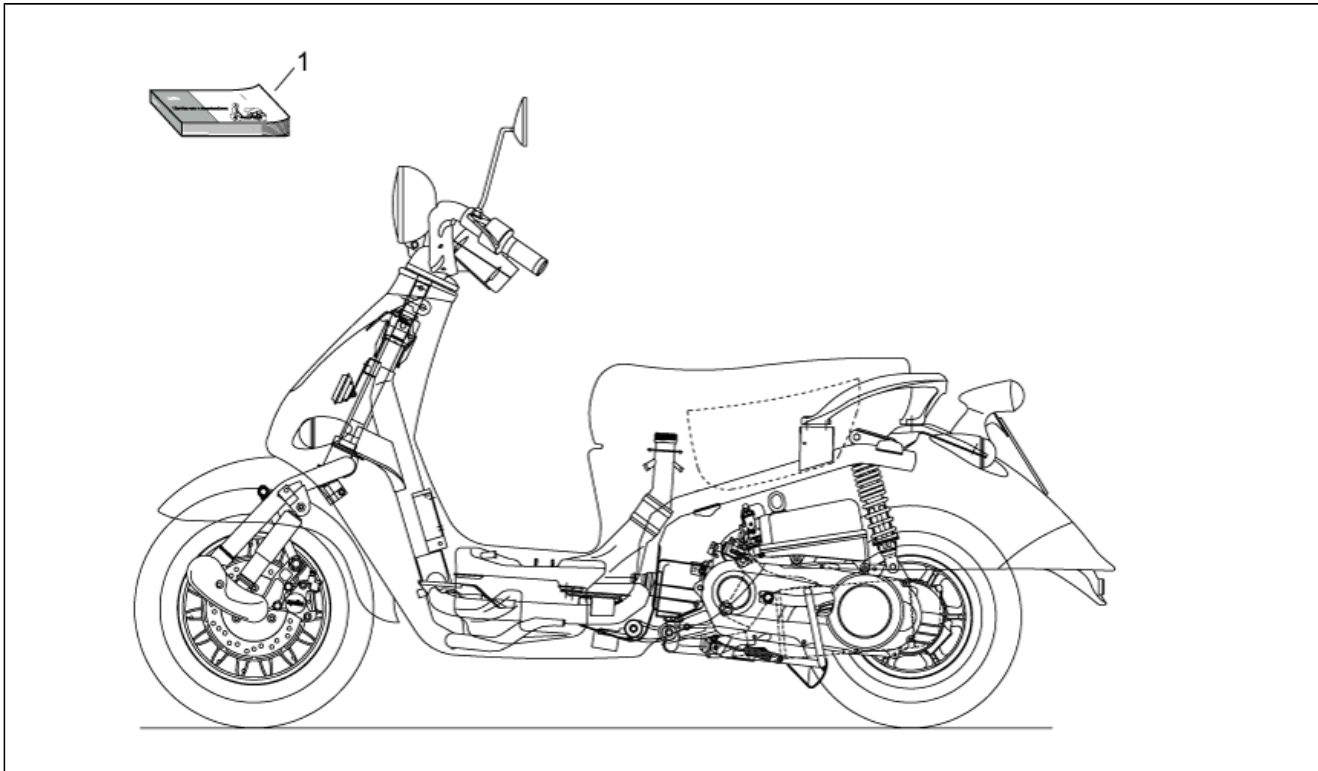
Pos.	Code	Description	Q.ty	Variants
1	AP8124886	Main switch - steering lock	1	
2	AP8152140	Shear rivet M6x17	1	
3	598839	Screw w/ flange M6x16*	3	
4	AP8104613	"Aprilia" key w/out transpo.	1	
5	AP8104612	Front box lock	1	
6	AP8102523	Lock nut	1	
7	AP8104050	Lock hardware kit	1	
8	AP8202169	Top box lock	1	
9	AP8152194	Low nut M19x1*	1	
10	AP8221312	Notched washer	1	
11	AP8201748	Washer	1	
12	AP8201749	Screw M4x6	1	
13	AP8202167	Saddle lockup lever	1	
14	856512	Decal set, Mojito	1	year: 2008[8] Color:Aprilia Black 2008 (s.t.860599)[black]
14	860849	Decal set, Mojito	1	year: 2008[8] Color:Aprilia White 2008 (s.t.860844)[a.wh]
14	860851	Decal set, Mojito	1	year: 2008[8] Color:Iris Cyan 2008 (s.t.860846)[iris]
14	860853	Decal set, Compay	1	year: 2008[8] Color:Aprilia Black 2008 (s.t.860599)[black]
14	860855	Decal set, Compay	1	year: 2008[8] Color:Aprilia White 2008 (s.t.860844)[a.wh]
14	860857	Decal set, Compay	1	year: 2008[8] Color:Iris Cyan 2008 (s.t.860846)[iris]
14	AP8177041	Decal set, Mojito	1	year: 2004[4] Color: Varadero Cyan / Chalk White 2004 (s.t.11588)[v.cya] Country:B-UK-I-NL[EU]
14	AP8177042	Decal set, Mojito	1	year: 2004[4], 2007[7] Color: Aprilia Black / Opaque Black 2004 (s.t.11589)[a.blk] Country:B-UK-I-NL[EU]

Assembly	FRAME
Code	28.28
Description	Decal and Lock hardware kit
Revision	1



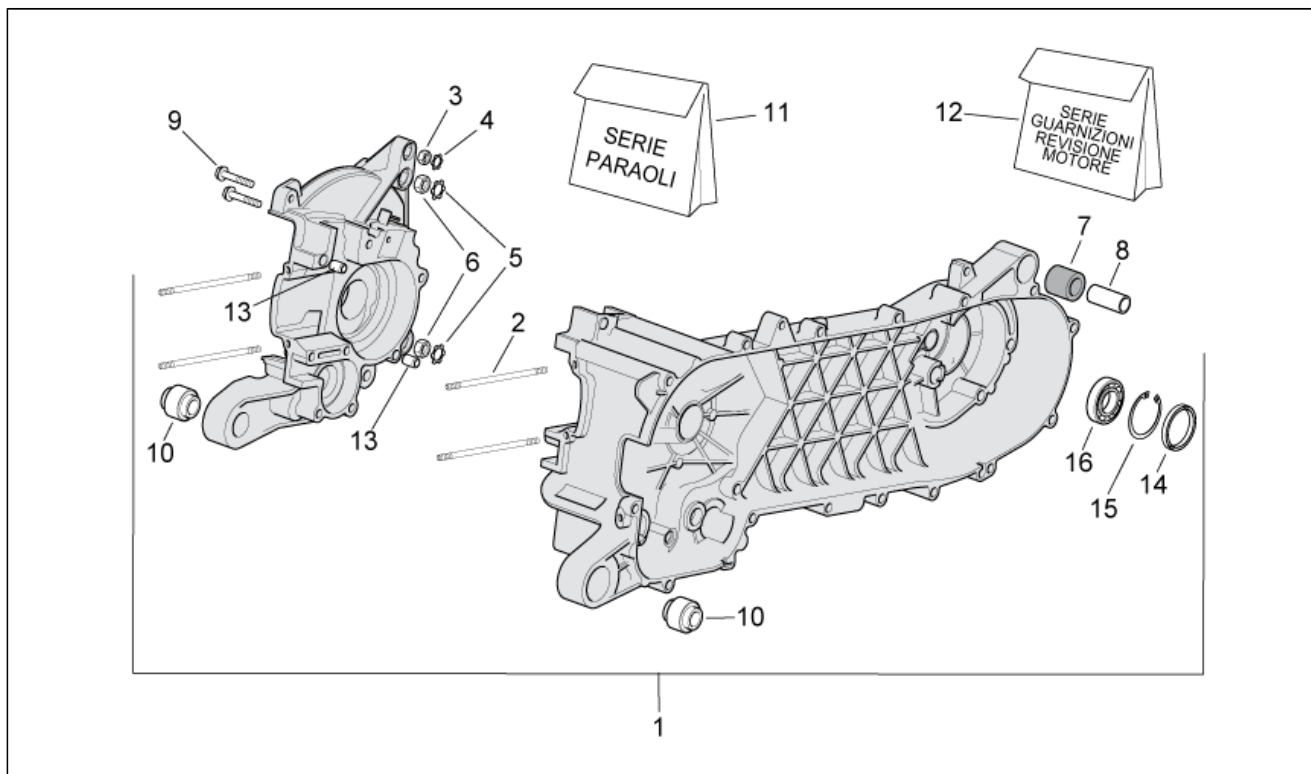
Pos.	Code	Description	Q.ty	Variants
14	AP8267615	Decal set, Compay	1	year: 2004[4] Color: Varadero Cyan / Chalk White 2004 (s.t.11588)[v.cya] Country:E[SP]
14	AP8267616	Decal set, Compay	1	year: 2004[4], 2007[7] Color: Aprilia Black / Opaque Black 2004 (s.t.11589)[a.blk] Country:E[SP]
14	AP8277606	Decal set, Mojito	1	year: 2005[5], 2007[7] Color: Cambridge White / Arrow Bronze 05-07 (s.t.14824) [white] Country:B-UK-I-NL[EU]
14	AP8277607	Decal set, Mojito	1	year: 2005[5], 2007[7] Color: Cambridge White / Arrow Bronze 05-07 (s.t.14824) [white] Country:E[SP]
14	AP8277702	Decal set, Mojito	1	year: 2005[5], 2007[7] Color: Cambridge White / Arrow Bronze 05-07 (s.t.14824) [white] Country:Australia[AU]
15	AP8166478	Technical decal set	1	year:2005[5], 2007[7]

Assembly	FRAME
Code	28.29
Description	Plate set and handbook
Revision	1



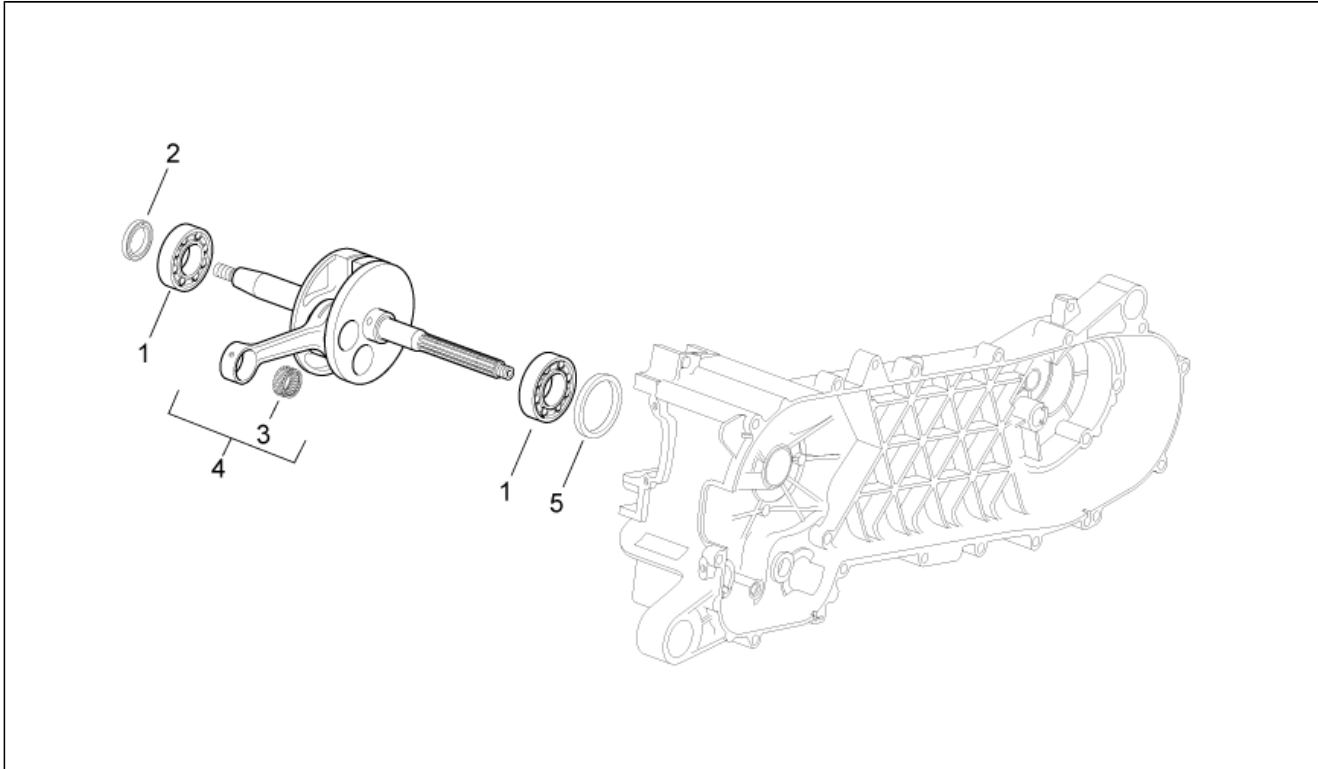
Pos.	Code	Description	Q.ty	Variants
1	852881	Operator's handbook -UK-NL-GR-DK-SF-F	1	year:2007[7]
1	854055	Operator's handbook -I-D-F-E	1	year:2008[8]
1	854056	Operator's handbook -UK-NL-GR-DK-SF-F	1	year:2008[8]
1	AP8202416	Operator's handbook -I-	1	
1	AP8202429	Operator's handbook -F-D-UK-DK-NL-GR-	1	year:2004[4], 2005[5]

Assembly	ENGINE
Code	29.30
Description	Crank-case
Revision	1



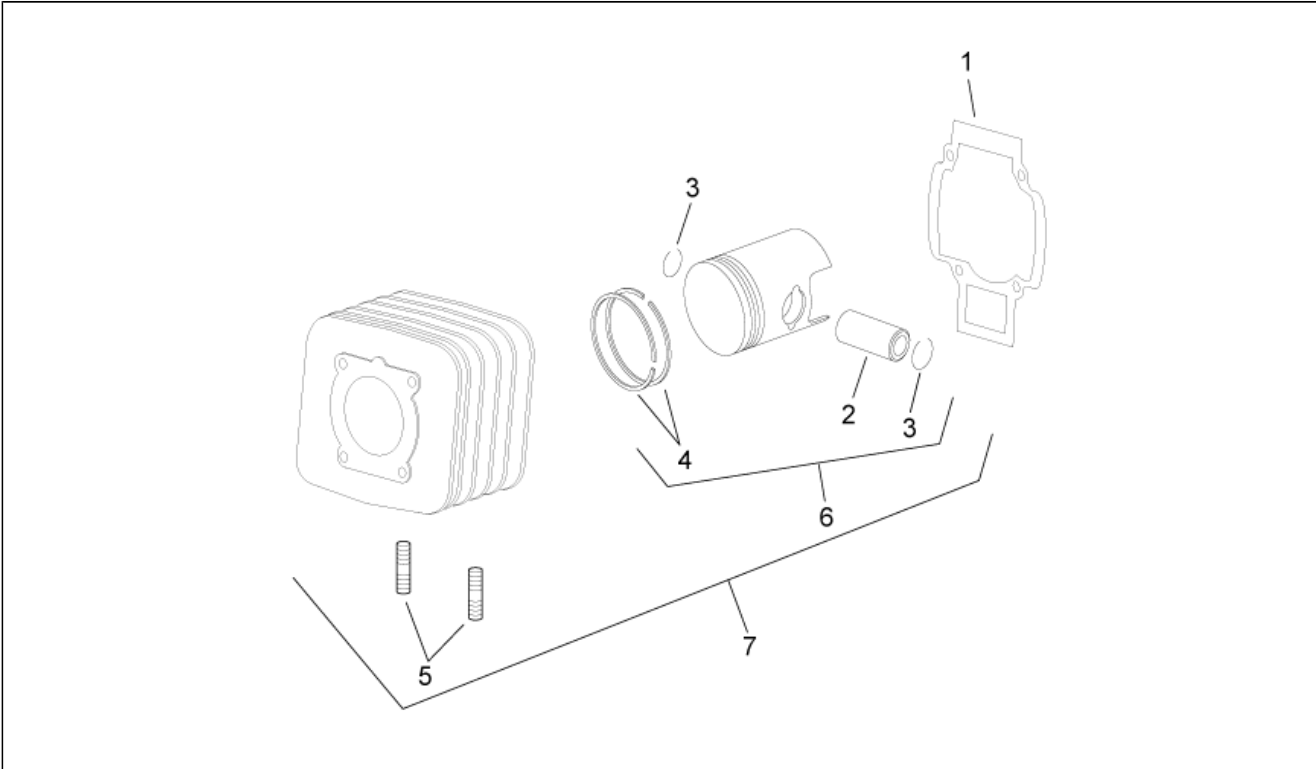
Pos.	Code	Description	Q.ty	Variants
1	CM1273215	Crank-case	1	Technical Specifications: Limited version 45 Km/h[45km]
1	CM1273305	Crank-case	1	Technical Specifications: Limited version 25Km/h[25km]
2	239382	Stud bolt	4	
3	020006	Nut m6	1	
4	287223	Ring	1	
5	113533	Ring	2	
6	020008	Nut	2	
7	267823	Shock abs.supp.silent-block	1	
8	266625	Spacer	1	
9	414835	Screw M6X45	8	
10	266773	Silent-block	2	
11	498337	Oil seals - set	1	
12	154873	Engine set gasket	1	
13	239388	Pin d.9,5 h=15	2	
14	478498	Gasket ring	1	
15	006647	Circlip	1	
16	434735	Bearing 20x47x14	1	

Assembly	ENGINE
Code	29.31
Description	Drive shaft
Revision	1



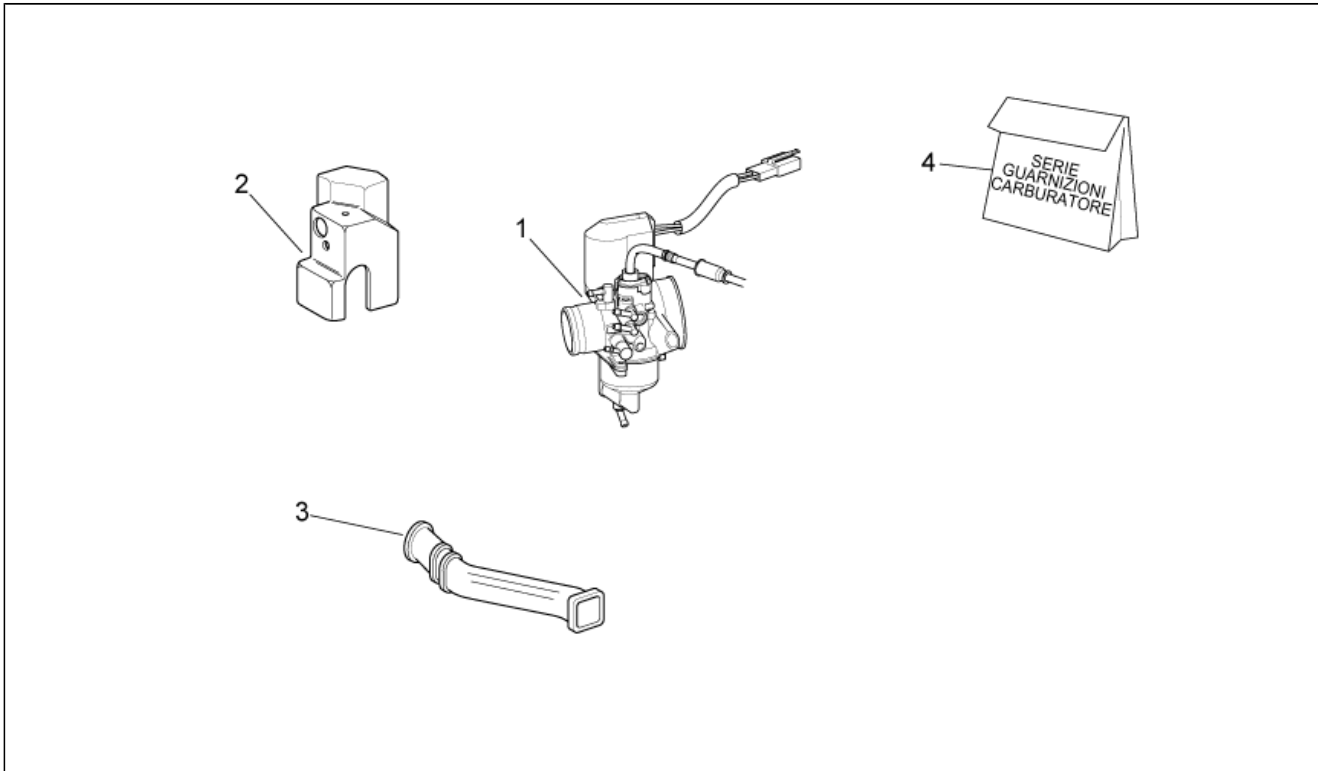
Pos.	Code	Description	Q.ty	Variants
1	431125	Bearing 20x52x12	2	
2	482315	Gasket ring	1	
3	500501	Pin cage 1cat.	1	
3	500502	Pin cage 2cat.	1	
3	500503	Pin cage 3cat.	1	
3	500504	Pin cage 4cat.	1	
4	4316255	Crankshaft cpl.	1	
5	482314	Gasket ring	1	

Assembly	ENGINE
Code	29.32
Description	Cylinder with piston
Revision	1



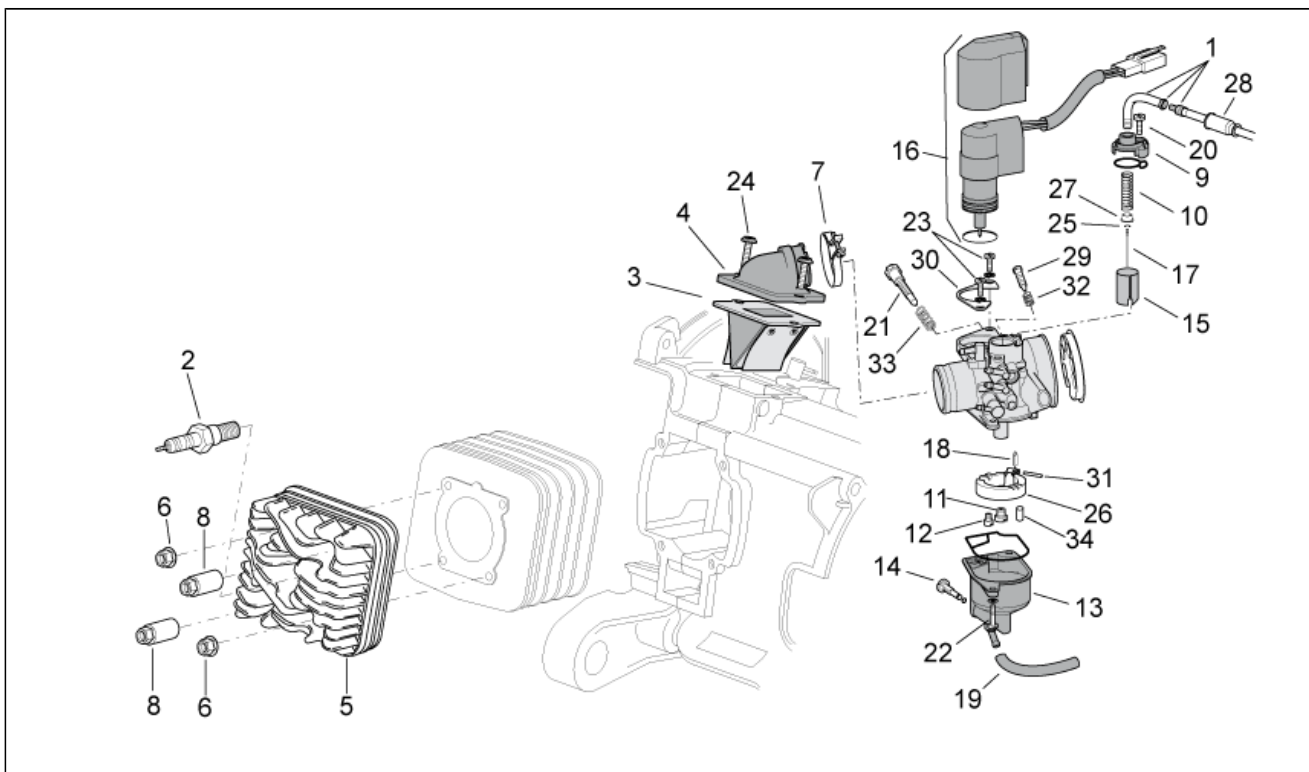
Pos.	Code	Description	Q.ty	Variants
1	286810	Cylinder base gasket	1	
2	239404	Piston pin	1	
3	239455	Stop ring	2	
4	825416	Gasket ring	2	
5	239397	Stud bolt	2	
6	4878020001	Piston assy 1cat.(M)	1	
6	4878020002	Piston assy 2cat.(N)	1	
6	4878020003	Piston assy 3cat.(O)	1	
6	4878020004	Piston assy 4cat.(P)	1	
7	830475	Cylinder with piston	1	Technical Specifications: Limited version 25Km/h[25km]
7	831116	Cylinder with piston	1	Technical Specifications: Limited version 45 Km/h[45km]

Assembly	ENGINE
Code	29.33
Description	Carburettor cpl.
Revision	1



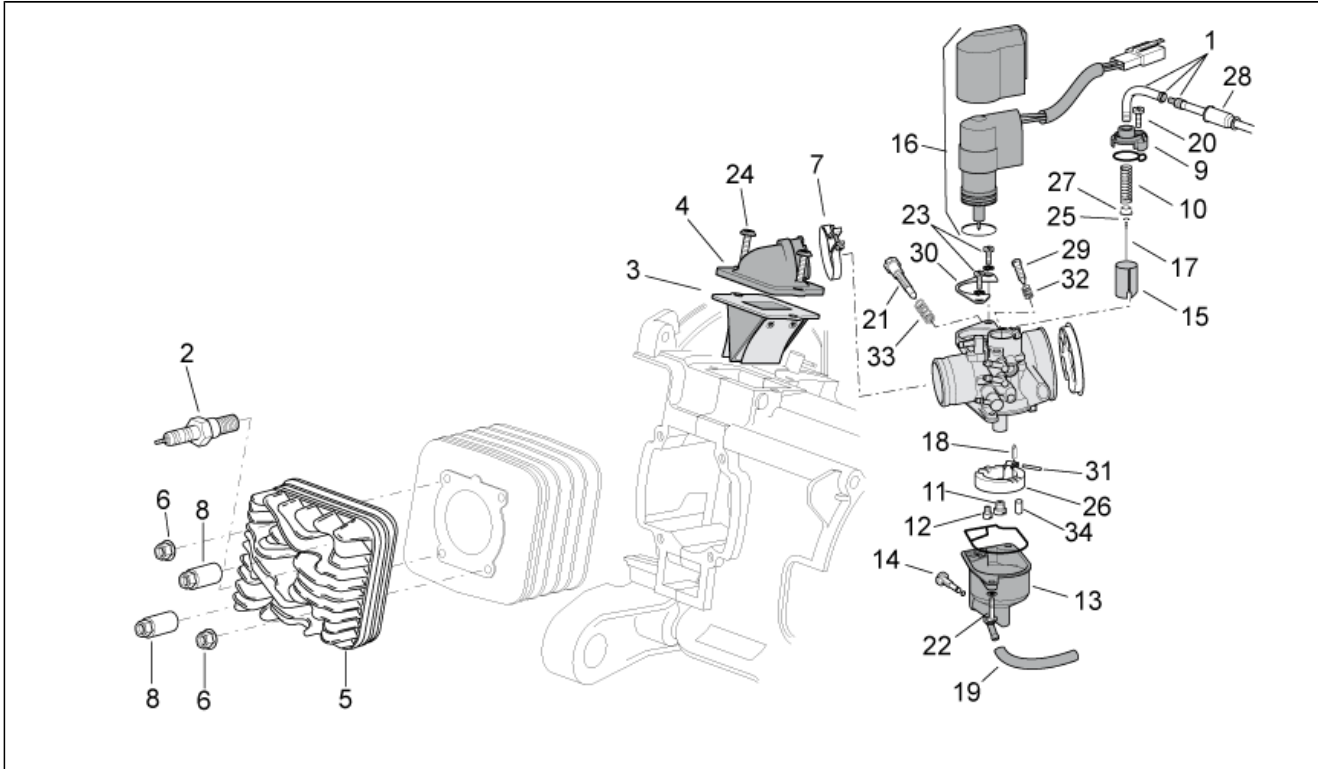
Pos.	Code	Description	Q.ty	Variants
1	840454	Carburettor PHVA17,5 8431	1	Technical Specifications: Limited version 45 Km/h[45km]
1	873754	Carburettor PHVA12 8471	1	Technical Specifications: Limited version 25Km/h[25km]
2	832186	Air duct	1	
3	488129	Carburettor cap	1	
4	498409	Carburettor gasket kit	1	

Assembly	ENGINE
Code	29.34
Description	Cylinder head/Carburettor
Revision	1



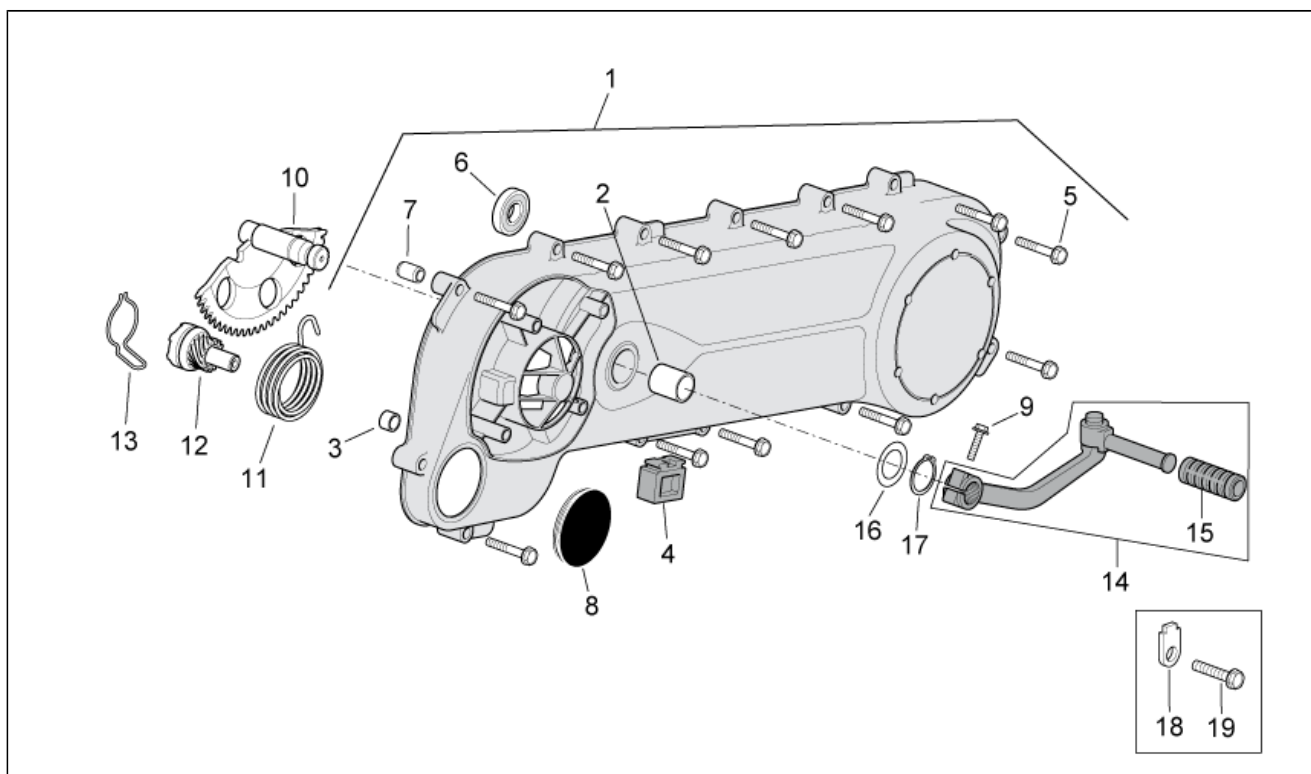
Pos.	Code	Description	Q.ty	Variants
1	113903	Pipe	1	
2	438031	Spark plug Champion RN1C	1	Technical Specifications: Switzerland Version E3[kit]
2	438041	Spark plug RN9YC	1	Technical Specifications: Limited version 25Km/h[25km]
2	861612	Spark plug NGK BR8ES	1	Technical Specifications: Limited version 45 Km/h[45km]
3	82775R	Reed valve assy	1	
4	830939	Intake manifold	1	
5	2865344	Cylinder head	1	
6	288245	Flanged nut M6	2	
7	842202	Hose clamp	1	
8	288531	Nut	2	
9	431654	Gas valve cover	1	
10	482942	Gas valve spring	1	
11	CM101704	Main jet 75	1	Technical Specifications: Limited version 45 Km/h[45km]
11	CM101709	Main jet 58	1	Technical Specifications: Limited version 25Km/h[25km]
11	CM101715	Main jet 64	1	Technical Specifications: Switzerland Version E3[kit]
12	CM102103	Idle jet	1	
13	484704	Float chamber cpl.	1	
14	432456	Screw	1	
15	CM141701	Gas valve	1	Technical Specifications: Limited version 25Km/h[25km]
15	CM141710	Gas valve	1	Technical Specifications: Limited version 45 Km/h[45km]
16	CM105905	Starter	1	
17	AP8276033	Conical pin A13	1	Technical Specifications: Switzerland Version E3[kit]
17	CM107507	Conical pin	1	Technical Specifications: Limited version 25Km/h[25km]
17	CM107510	Conical pin	1	Technical Specifications: Limited version 45 Km/h[45km]
18	CM128501	Fuel closing needle	1	Technical Specifications: Limited version 45 Km/h[45km]
18	CM128502	Fuel closing needle	1	Technical Specifications: Limited version 25Km/h[25km]
19	432071	Float chamber dump pipe L=130	1	
20	288865	Screw	1	

Assembly	ENGINE
Code	29.34
Description	Cylinder head/Carburettor
Revision	1



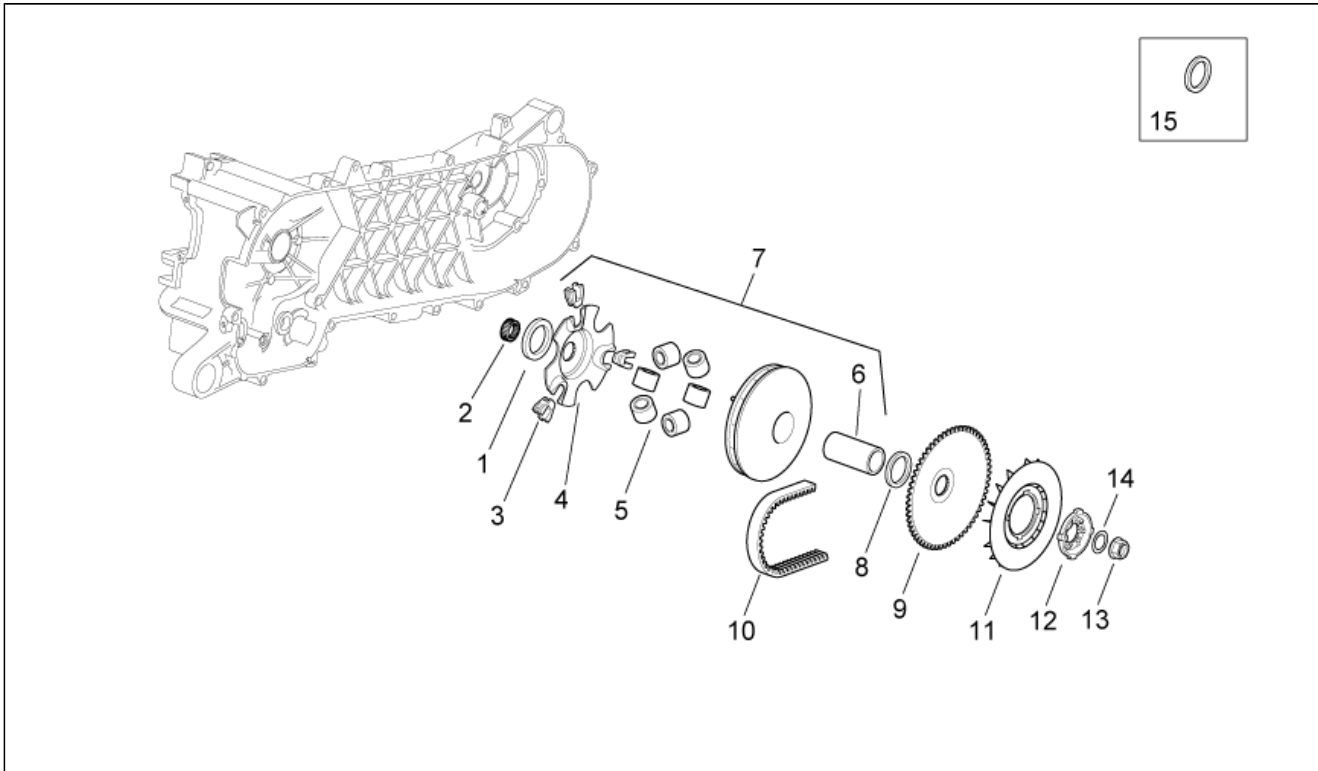
Pos.	Code	Description	Q.ty	Variants
21	828074	Gas valve adjuster screw	1	
22	288862	Float chamber fixing screw	2	
23	289575	Screw	2	
24	830487	Screw	2	
25	288872	Ring	1	
26	482916	Float cpl.	1	
27	288873	Conical pin clip	1	
28	289903	Throttle cable cap	1	
29	CM107701	Air adj.screw cpl.	1	Technical Specifications: Limited version 45 Km/h[45km]
29	CM107702	Air adjuster screw	1	Technical Specifications: Limited version 25Km/h[25km]
30	288863	Plate	1	
31	288881	Float pin	1	
32	085285	Spring	1	
33	152608	Spring	1	
34	CM106214	Diffuser	1	Technical Specifications: Switzerland Version E3[kit]

Assembly	ENGINE
Code	29.35
Description	Transmission cover
Revision	1



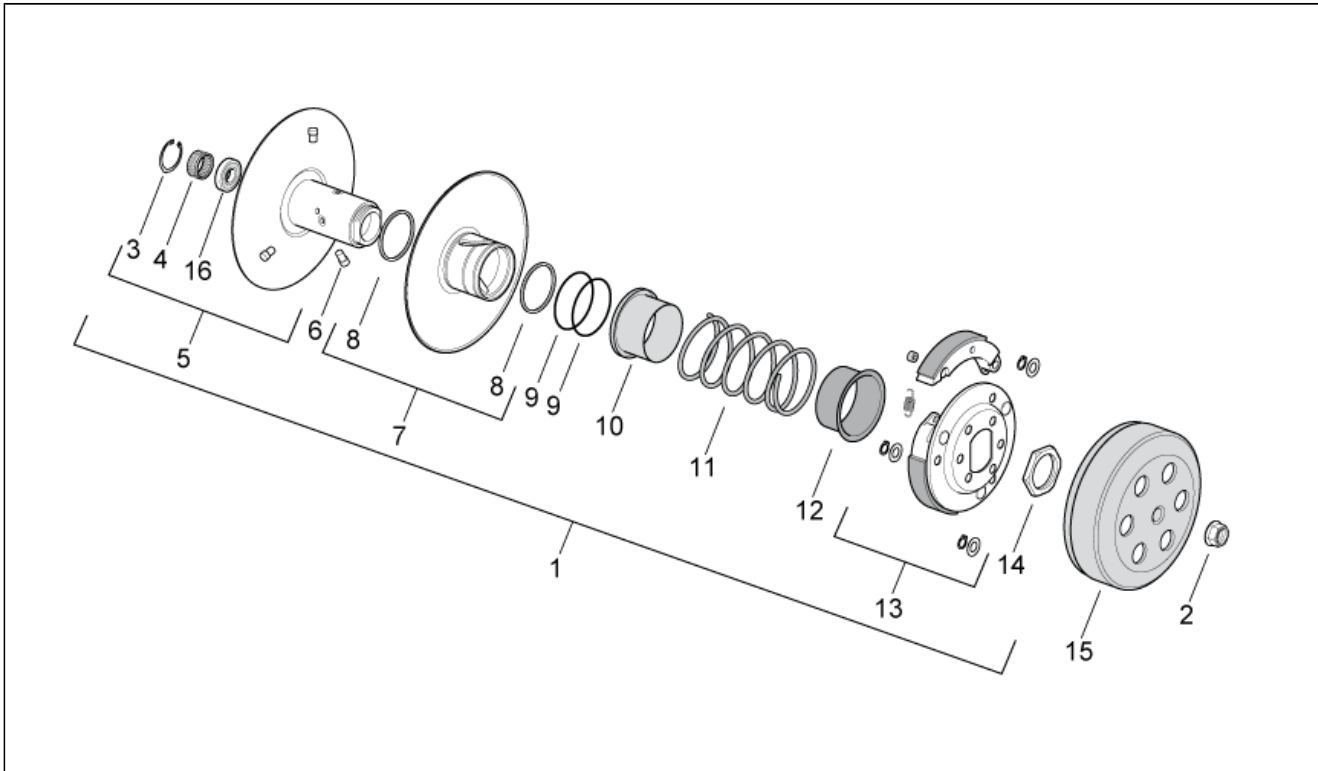
Pos.	Code	Description	Q.ty	Variants
1	8284535	Transmission cover	1	
2	286209	Bush	1	
3	431860	Bush	1	
4	463872	Stand end stop	1	
5	414838	Screw m6X35	14	
6	82521R	Bearing	1	
7	239388	Pin d.9,5 h=15	2	
8	483859	Plug	1	
9	414837	Screw w/ flange	1	
10	831458	Starting shaft	1	
11	289495	Spring	1	
12	483537	Starting pinion	1	
13	830212	Spring	1	
14	286214	Kick-start lever cpl.	1	
15	286217	Protection	1	
16	433987	Washer 16,3x23,8	1	
17	006416	Circlip	1	
18	564497	Plate	1	
19	AP8152279	Screw w/ flange M6x20	1	

Assembly	ENGINE
Code	29.36
Description	Variator
Revision	1



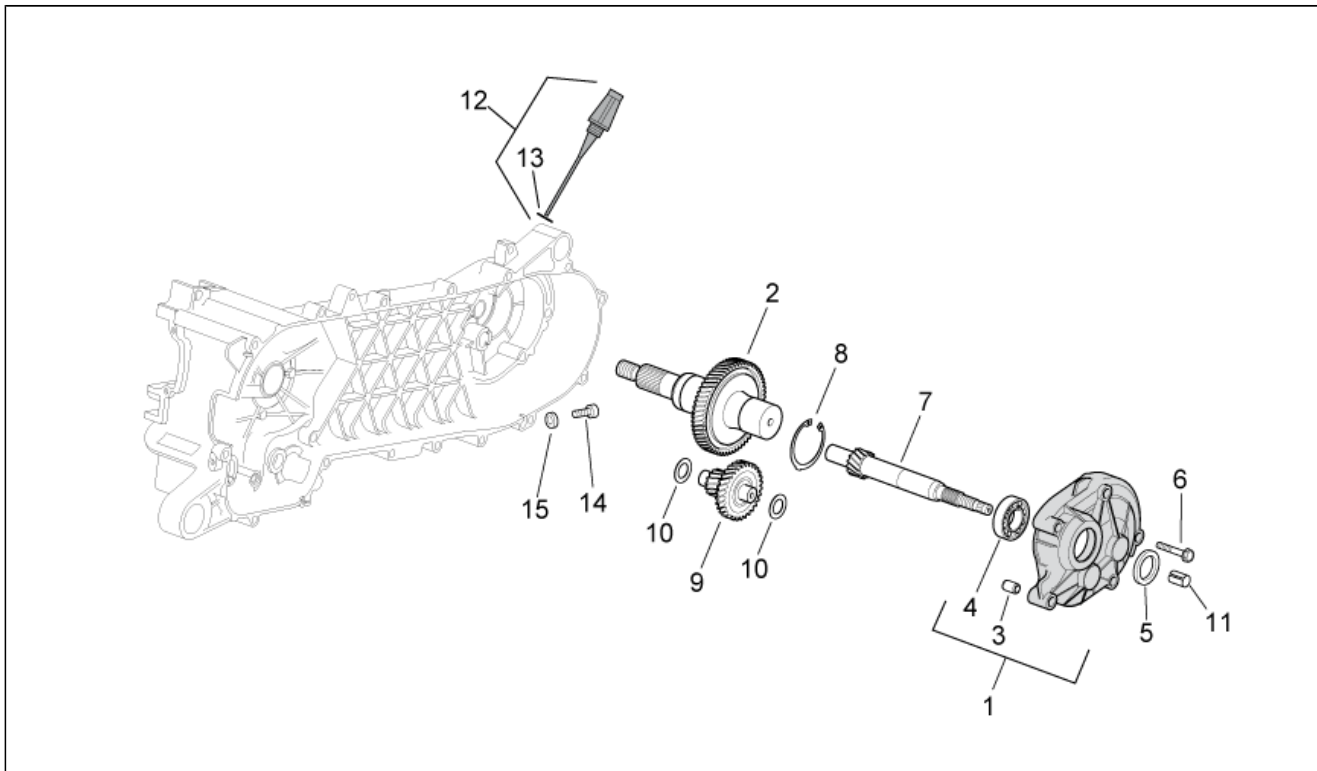
Pos.	Code	Description	Q.ty	Variants
1	479495	Bush	1	
2	286158	Gear	1	
3	289931	Slider	3	
4	480227	Ramp plate	1	
5	CM1102025	Roller	1	Technical Specifications: Limited version 45 Km/h[45km]
5	CM1102045	Pin roller-set	1	Technical Specifications: Limited version 25Km/h[25km]
6	480230	Spacer	1	
7	CM110301	Half-pulley assy., driving	1	Technical Specifications: Limited version 45 Km/h[45km]
7	CM110303	Half-pulley assy., driving	1	Technical Specifications: Limited version 25Km/h[25km]
8	CM100608	Spacer	1	Technical Specifications: Limited version 25Km/h[25km]
8	CM100610	Spacer	1	Technical Specifications: Limited version 45 Km/h[45km]
9	479561	Fixed pulley	1	
10	436864	V-belt	1	
11	845611	Fan	1	
12	479866	Ring nut	1	
13	289519	Flanged nut m10x1,25	1	
14	265300	Washer	1	
15	CM100601	Spacer	1	Technical Specifications: Limited version 25Km/h[25km]

Assembly	ENGINE
Code	29.37
Description	Clutch
Revision	1



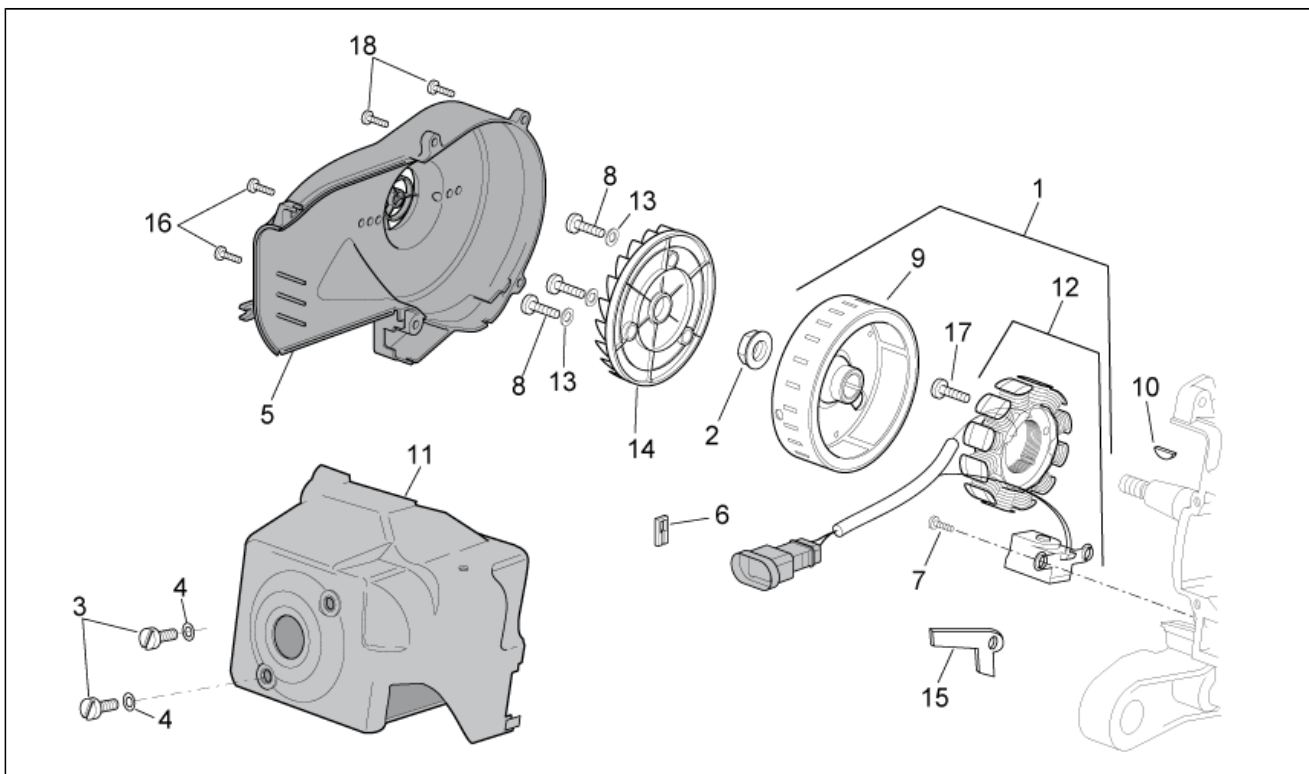
Pos.	Code	Description	Q.ty	Variants
1	CM100109	Secondary pulley	1	
2	289519	Flanged nut m10x1,25	1	
3	006624	Ring	1	
4	289952	Roller cage	1	
5	4795526	Sec. fixed sheave cpl.	1	
6	482766	Pin	3	
7	827893	Sec. sliding sheave, complete	1	
8	289950	Gasket ring	2	
9	289840	Gasket	2	
10	483443	Cup	1	
11	478028	Variator spring	1	
12	487935	Cup	1	
13	CM100203	Centrifugal clutch assy	1	
14	289955	Ring nut	1	
15	289933	Clutch drum	1	
16	82655R	Ball bearing	1	

Assembly	ENGINE
Code	29.38
Description	Transmission final drive
Revision	1



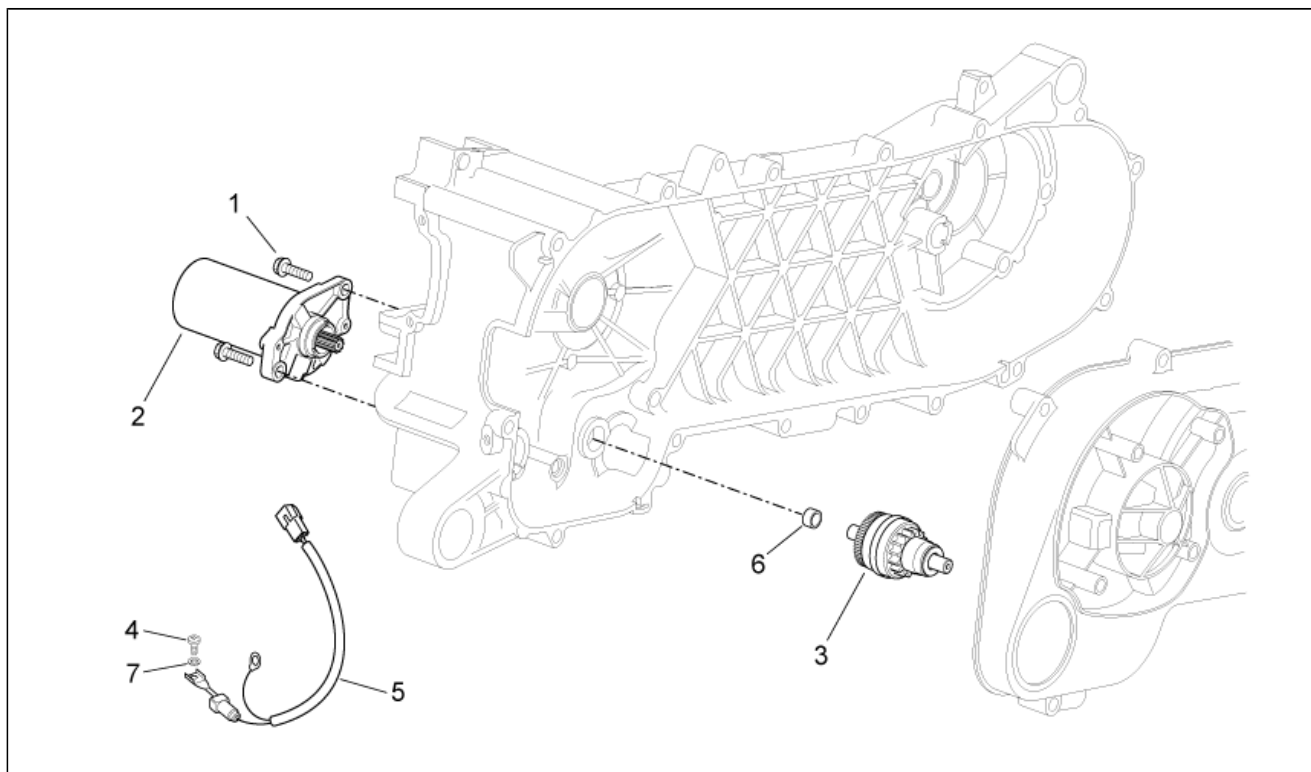
Pos.	Code	Description	Q.ty	Variants
1	4874805	Transmission cover cpl.	1	Technical Specifications: Limited version 25Km/h[25km]
1	4874805	Transmission cover cpl.	1	Technical Specifications: Limited version 45 Km/h[45km]
2	4874845	Drive shaft assy	1	Technical Specifications: Limited version 45 Km/h[45km]
2	8256935	Drive shaft assy	1	Technical Specifications: Limited version 25Km/h[25km]
3	239388	Pin d.9,5 h=15	2	
4	435363	Bearing	1	
5	480066	Gasket ring	1	
6	414834	Screw w/ flange M6X25	5	
7	4795715	Driven pulley shaft	1	Technical Specifications: Limited version 45 Km/h[45km]
7	4795935	Driven pulley shaft	1	Technical Specifications: Limited version 25Km/h[25km]
8	480953	Snap ring	1	
9	4784925	Transmission shaft	1	Technical Specifications: Limited version 45 Km/h[45km]
9	4872095	Transmission shaft	1	Technical Specifications: Limited version 25Km/h[25km]
10	288639	Thrust washer	2	
11	478197	Compensator ring	1	
12	832130	Oil level rod cpl.	1	
13	827085	Gasket ring	1	
14	269755	Hex socket screw m8x12	1	
15	000397	Gasket	1	

Assembly	ENGINE
Code	29.39
Description	Flywheel
Revision	1



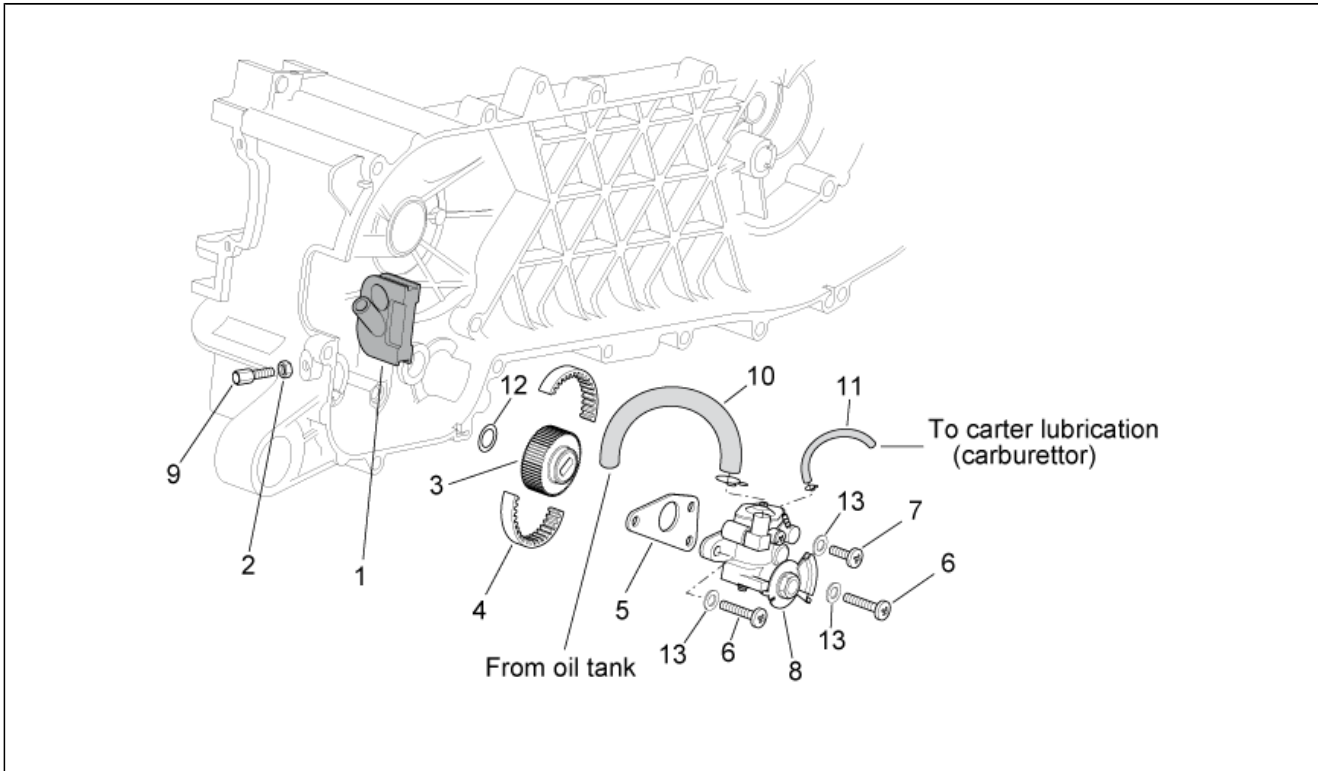
Pos.	Code	Description	Q.ty	Variants
1	58136R	Cdi magneto assy	1	
2	289005	Flanged nut	1	
3	008375	Screw M6x14	2	
4	078307	Washer	2	
5	833817	Flywheel cover	1	
6	827425	Fairlead	1	
7	015585	Screw m5x12	2	
8	015585	Screw m5x12	3	
9	584526	Rotor cpl.	1	
10	000267	Transmission key	1	
11	845692	Cylinder air shroud	1	
12	584525	Stator cpl.	1	
13	006975	Washer 5,3x10x0,5	3	
14	828765	Fan	1	Technical Specifications: Limited version 45 Km/h[45km]
14	846596	Cooling fan	1	Technical Specifications: Limited version 25Km/h[25km]
15	827847	Support	1	
16	015856	Screw m5x21	2	
17	015856	Screw m5x21	3	
18	015597	TBIC screw M5x25	2	

Assembly	ENGINE
Code	29.40
Description	Starter motor
Revision	1



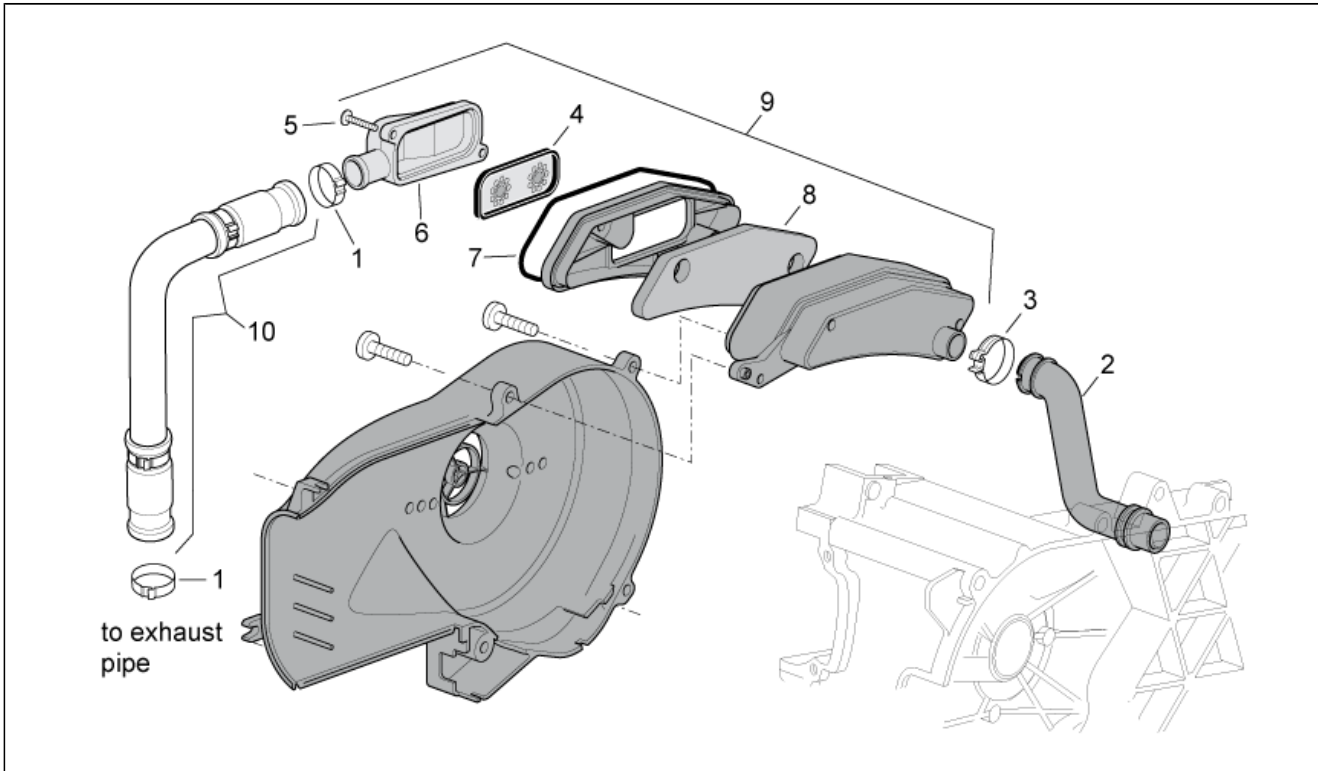
Pos.	Code	Description	Q.ty	Variants
1	018639	Hex screw	2	
2	82530R	Starter motor	1	
3	82531R	Starter motor gear	1	
4	018644	Screw m4x6	1	
5	639220	Relay-starter motor cable	1	
6	431860	Bush	1	
7	016404	Washer	1	

Assembly	ENGINE
Code	29.41
Description	Oil pump
Revision	1



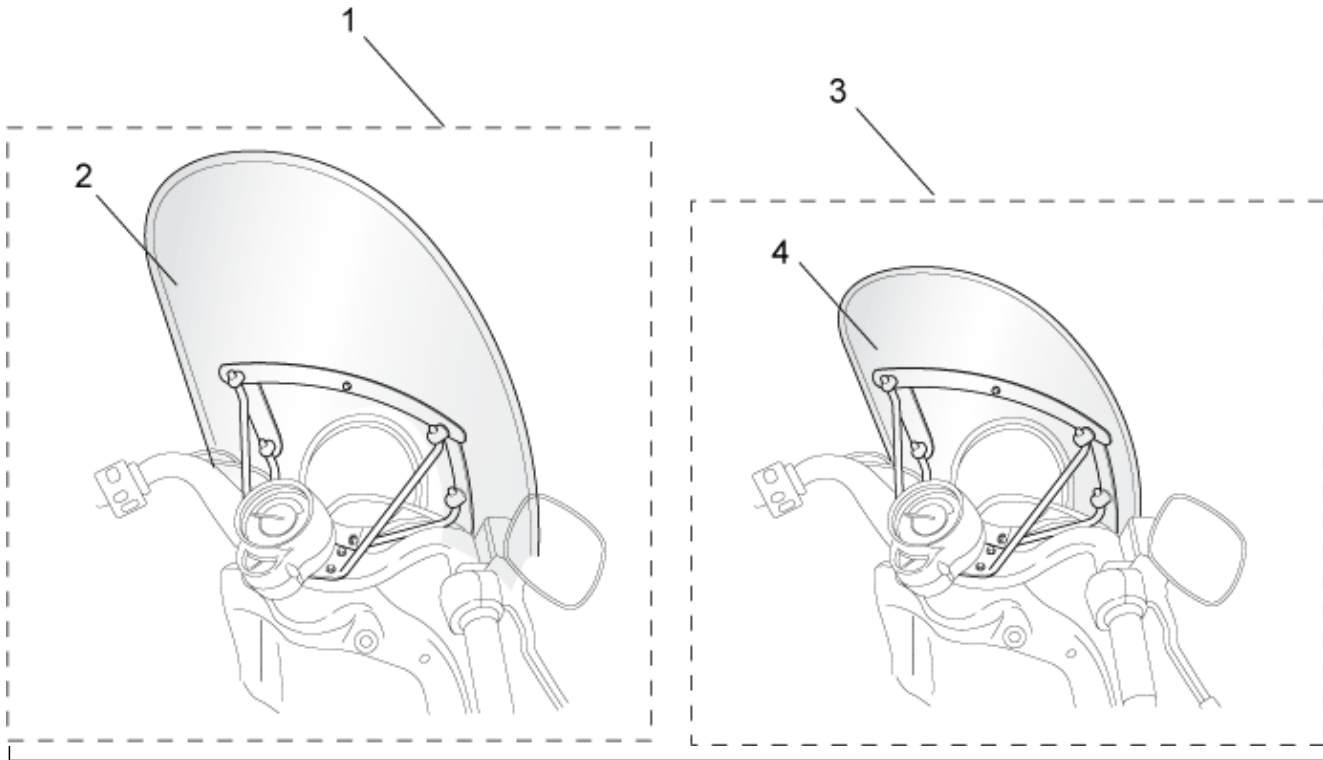
Pos.	Code	Description	Q.ty	Variants
1	287021	Fairlead	1	
2	020106	Nut M6	1	
3	289191	Gear	1	
4	286162	Toothed belt	1	
5	286163	Plate	1	
6	015856	Screw m5x21	2	
7	015585	Screw m5x12	1	
8	82632R	Oil pump assy.	1	Technical Specifications: Limited version 25Km/h[25km]
8	82652R	Oil pump assy.	1	Technical Specifications: Limited version 45 Km/h[45km]
9	146197	Adjuster screw	1	
10	CM101509	Oil inlet pipe	1	Technical Specifications: Limited version 45 Km/h[45km]
10	CM101509	Oil inlet pipe	1	Technical Specifications: Limited version 25Km/h[25km]
11	CM101605	Oil outlet pipe	1	
12	287073	Washer	1	
13	006975	Washer 5,3x10x0,5	3	

Assembly	ENGINE
Code	29.42
Description	Secondary air
Revision	1



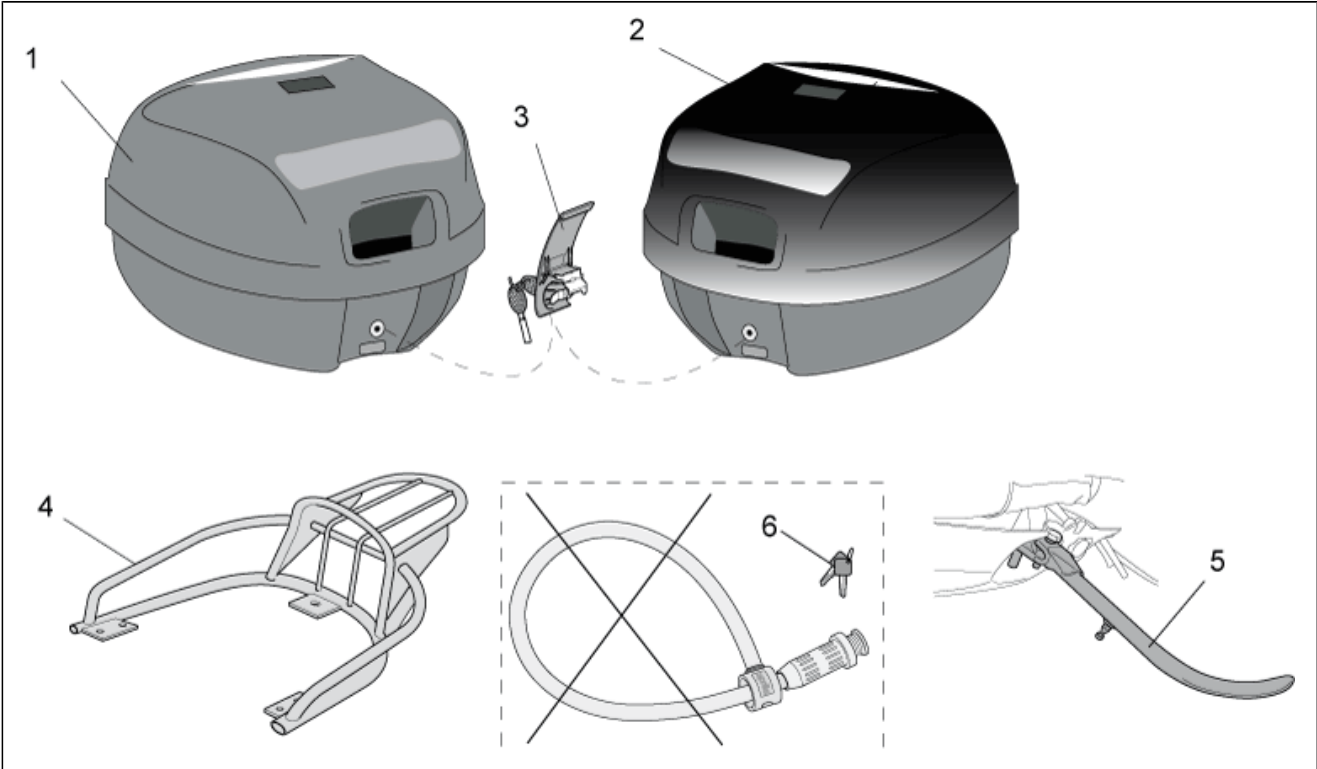
Pos.	Code	Description	Q.ty	Variants
1	AP8201169	Hose clip D22x8,6*	2	
2	827208	Intake pipe sas	1	
3	CM001905	Hose clamp	1	
4	82758R	Diaphragm	1	
5	478533	Self-tap screw	2	
6	827209	Cover sas	1	
7	486943	Gasket	1	
8	486942	Filter sas	1	
9	8318594	Sas box	1	
10	833740	Air pipe sas	1	

Assembly	ACCESSORIES
Code	30.43
Description	Acc. - Windshields
Revision	1



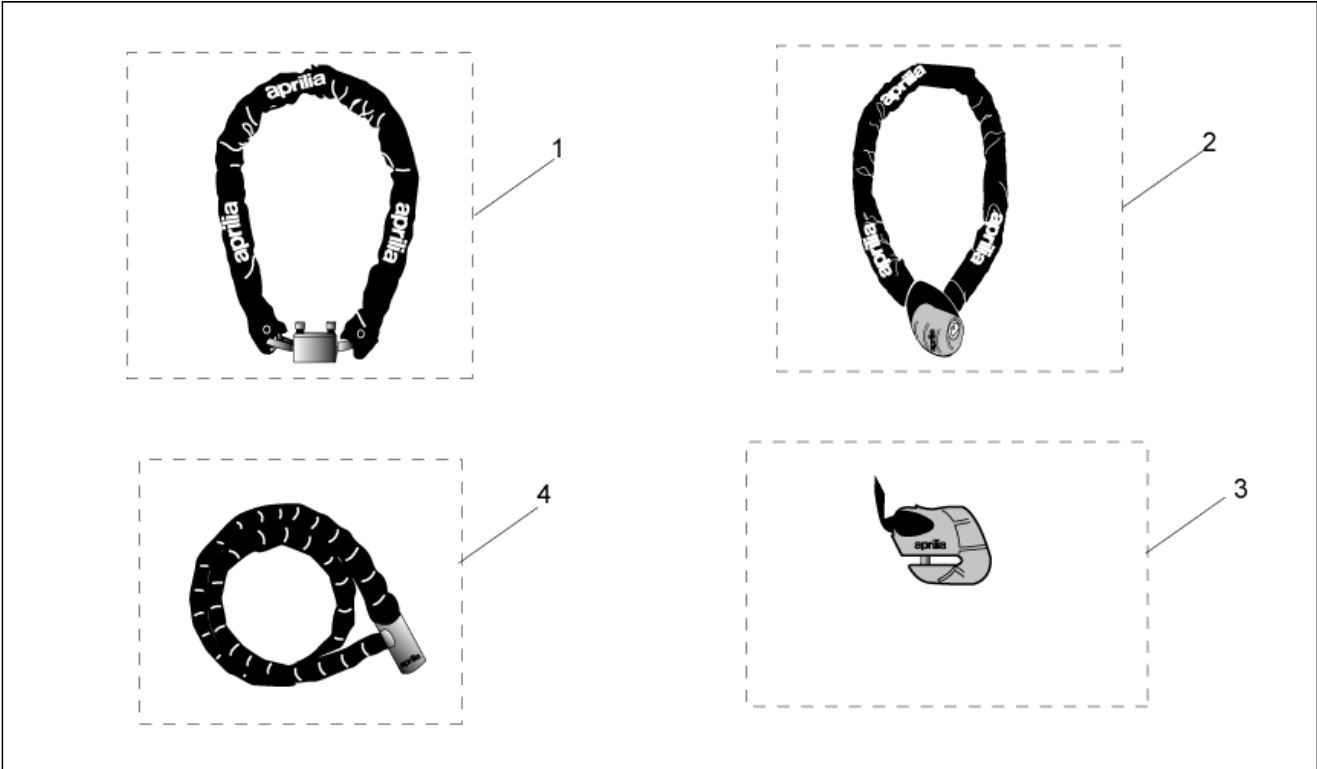
Pos.	Code	Description	Q.ty	Variants
1	AP8791067	Windscreen cpl. Big	1	Technical Specifications:Accessories[A]
2	AP8791068	Windscreen w/out support Big	1	Technical Specifications:Accessories[A]
3	AP8791075	Windscreen cpl. Sport	1	Technical Specifications:Accessories[A]
4	AP8791076	Windscreen w/out support Sport	1	Technical Specifications:Accessories[A]

Assembly	ACCESSORIES
Code	30.44
Description	Acc. - Top/cases-Various
Revision	1



Pos.	Code	Description	Q.ty	Variants
1	AP8792066	Top box, embossed New-C 32L	1	Technical Specifications: Accessories[A]
2	AP8792066	Top box, embossed New-C 32L	1	Technical Specifications: Accessories[A]
3	AP8104197	Top box lock cpl.	1	Technical Specifications: Accessories[A]
4	AP8792093	Parcel rack assy	1	Technical Specifications: Accessories[A]
5	AP8795022	Lateral stand	1	Technical Specifications: Accessories[A]
6	AP8700792	Key support B.Guard UK-D	1	Country: Germany[D], Great Britain[UK] Technical Specifications: Accessories[A]
6	AP8700793	Key support B.Guard F-NL	1	Country: France[F], Holland[NL] Technical Specifications: Accessories[A]
6	AP8700794	Key support B.Guard I-E	1	Country: Spain[E], Italy[I] Technical Specifications: Accessories[A]

Assembly	ACCESSORIES
Code	30.45
Description	Acc. - Mechanics anti-theft
Revision	1



Pos.	Code	Description	Q.ty	Variants
1	AP8720115	Iron Guard 10x150 mm	1	Technical Specifications:Accessories[A]
2	AP8720116	Iron Guard 8x120 mm	1	Technical Specifications:Accessories[A]
3	AP8720117	Iron Guard Disk 5 mm	1	Technical Specifications:Accessories[A]
4	AP8720118	Easy Guard 150 mm	1	Technical Specifications:Accessories[A]